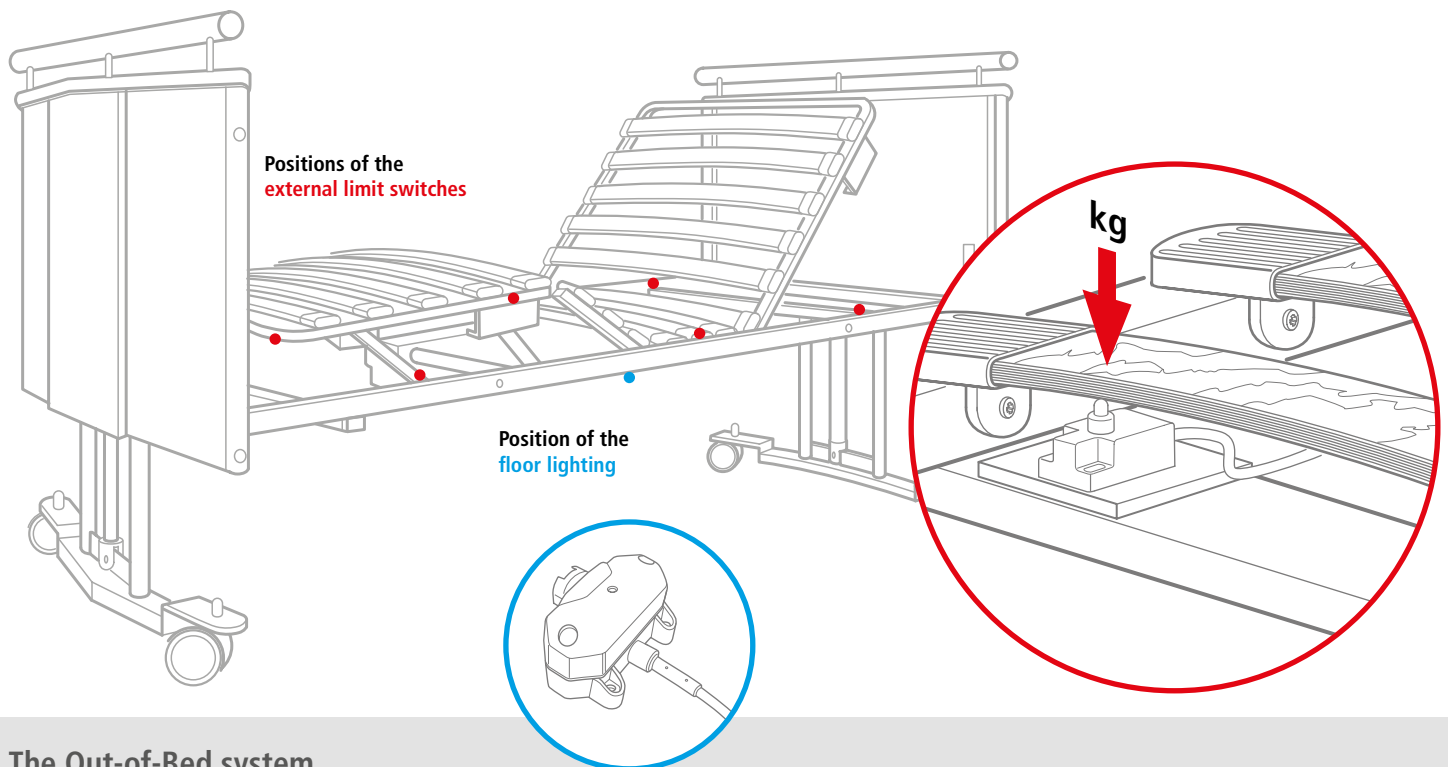


OUT-OF-BED SYSTEM

With its **Out-of-Bed system**, DEWERT sets high standards of safety in the hospital and care sectors.

As soon as the patient leaves the bed, external limit switches positioned under the slatted bed frame activate both a visual and an acoustic signal. This function can be individually programmed by means of the IPROXX handset. Additional night-time safety is provided by a floor lighting system – which can also transmit an acoustic signal – if the patient leaves the bed for an extended period of time.



The Out-of-Bed system.

Components:

- Control unit CU 155 Out-of-Bed
- Handset IPROXX 2 Out-of-Bed
- SMPS PD 14 / PD 15
- up to 2 floor lighting systems
- 3 to a maximum of 6 external limit switches

Operation:

The patient's weight presses the slats in the lying surface downwards and activates the limit switches. The circuit is closed, and the alarm is not activated. As long as only **one** external limit switch is activated, no alarm is activated.

Advantages:

- Stand-alone system with power supply via an external SMPS such as PD 14.
- Beds which are already in use can easily be retrofitted.
- The system can also be connected to a drive system incl. control unit such as an MCL II or DUOMAT 9.
- Activation and control of the system is possible by means of the IPROXX 2 Out-of-Bed handset.

