



# CONTROL UNIT HE200

## Installation Instructions

(Translation of the original installation instructions)



# Foreword

## Disclaimer and exclusion of liability

DewertOkin is not responsible for damage resulting from:

- failure to observe these instructions,
- changes made to this product which have not been approved by DewertOkin, or
- the use of replacement parts which have not been approved or manufactured by DewertOkin.

► We reserve the right to make unannounced technical changes in the course of our continual product improvement process!

## Creation of a complete operating instruction manual for the entire end product

These instructions are only intended to be used by the end-product manufacturer. They should not be given to the operator of the end product. The factual information contained within may be used as a basis when creating the end-product manual.

The warning and danger notices are best suited for use in the end product's manual. However it is not sufficient to simply follow these notices. You should also carry out an internal risk assessment for your end product. This can then be used as the basis for the safety notices in your manual.

These installation instructions do not contain all information required to safely operate the end product. They only describe the installation and operation of the product as partially completed machinery.

The instructions are intended for the technicians responsible for manufacturing an end product and not for the operators of the end product.

# Table of contents

<b>Foreword</b>	<b>3</b>
<b>Disclaimer and exclusion of liability</b>	<b>3</b>
<b>Creation of a complete operating instruction manual for the entire end product</b>	<b>3</b>
<b>Table of contents</b>	<b>4</b>
<b>1. General Information</b>	<b>5</b>
1.1 About these installation instructions	5
1.2 Conventions used	5
<b>2. Safety notices</b>	<b>6</b>
2.1 Proper and intended usage	6
2.2 Selection and qualification of personnel	7
2.3 Ratings plate	8
<b>3. Possible combinations</b>	<b>9</b>
<b>4. Description</b>	<b>10</b>
4.1 Components	10
<b>5. Technical specifications</b>	<b>11</b>
<b>6. Installation</b>	<b>13</b>
6.1 Safety notices to observe during installation	13
6.2 Installation procedure	13
<b>7. Information about creating your Operating Manual</b>	<b>16</b>
7.1 General information	16
<b>8. Troubleshooting</b>	<b>18</b>
<b>9. Maintenance</b>	<b>19</b>
9.1 Cleaning and care	19
<b>10. Disposal</b>	<b>20</b>
10.1 Packaging material	20
10.2 Components in the control unit	20
<b>EU Declaration of Conformity</b>	<b>21</b>

# 1. General Information

## 1.1 About these installation instructions

In order to install the CONTROL UNIT HE200 successfully and safely in the end product, these installation instructions must be observed. These instructions are not an operating manual for the end product.

These instructions will help you to minimize danger, repair costs and down times. They will also help you to increase the reliability and lifespan of the device.



### CAUTION

The notices in these instructions must be followed! Following the guidelines during installation and connection procedures will help to minimize:

- the risk of accident and injury, and
- damage to the CONTROL UNIT HE200 or the end product.

These installation instructions have been written with due care and attention. However, we cannot guarantee that the data, images and drawings are complete and correct nor do we accept any liability for the information contained therein, unless required by law.

## 1.2 Conventions used

Notices which do not relate to safety are indicated in these instructions with a symbol:

- ▶ Triangular notice symbol

### Explanations of warning notices



### CAUTION

CAUTION indicates a hazardous situation which, if not avoided, could result in minor or moderate injury.

### NOTICE

NOTICE is used to address practices which are not related to personal injury but may result in damage to the product or surroundings.

## 2. Safety notices

### 2.1 Proper and intended usage

The CONTROL UNIT HE200 is intended for use:

- as a control unit for suitable DewertOkin drive systems,
- for HOME applications (in beds, reclining chairs, etc.),



#### CAUTION

##### Risk of accident

This CONTROL UNIT HE200 should only be used for the applications described above. Any other use is forbidden. Improper usage can lead to accidents or destruction of the unit. Such non-approved applications will lead immediately to the expiration of all guarantee and warranty claims on the part of the end-product manufacturer against the manufacturer.

#### 2.1.1 Improper usage

Be sure to follow the notices below concerning improper usage. You should include them in your product manual in order to inform the users of your end product.

The CONTROL UNIT HE200 should not be used:

- in any environment where combustible or explosive gases or vapours (e.g., anaesthesiology) may be present,
- in the proximity of open fires or other heat sources (such as furnaces, ovens or direct sunlight),
- as a power source for toys or games,
- in any application that will be cleaned with an automated washing system,
- in a moist environment, or
- outdoors.

The CONTROL UNIT HE200 can be used by children of 8 years and older, persons with reduced physical, sensory or mental capabilities, or persons with lack of experience or knowledge when they are supervised or instructed concerning the safe use of the device and when they understand the resulting risks. Do not allow children to play with this device. The cleaning and user maintenance must not be carried out by children without supervision.

- ▶ You should only use spare parts which have been manufactured or approved by DewertOkin. Only these parts will guarantee a sufficient level of safety.

## 2.2 Selection and qualification of personnel

The installation of the CONTROL UNIT HE200 in the end product may only be performed by qualified personnel.

### 2.2.1 Electrical safety



#### CAUTION

##### **Electric shock**

Be careful; there is a risk of electrical shock! Before installing, make sure that you disconnect the external DewertOkin power supply for the CONTROL UNIT HE200 from the power outlet!

The CONTROL UNIT HE200 should not be used: You must properly dispose of malfunctioning or broken units.

### 2.3 Ratings plate

- ▶ The ratings plate shown is an example; The specifications for your CONTROL UNIT HE200 may differ from this illustration.

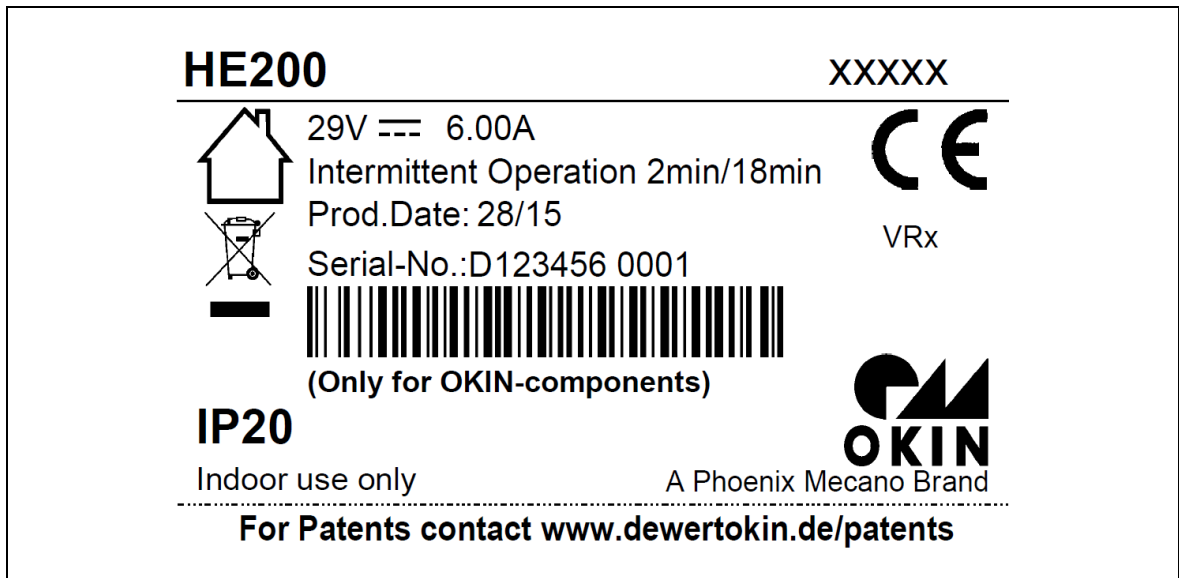





Figure 1 Ratings plate for the CONTROL UNIT HE200 (example)

HE200	Model name
xxxxx	Article number
29V ~	Input voltage
6.00A	Permitted power consumption
Intermittent Operation 2min/18min	Mode of operation
Prod.date	Calendar week / year
Serial No.	CONTROL UNIT HE200 serial number
VRx	Software version
IP20	Protection degree
	Use in dry rooms only!
	Conformity mark
	Follow all special disposal instructions!



### 3. Possible combinations

The CONTROL UNIT HE200 can be used together with multiple individual drives, massage motors and accessories that have been approved by DewertOkin.

A tailored system consists of the combination of control unit, single drive, massage motor, accessories, and hand-held remote.

DewertOkin has separate system instruction manuals containing the additional information and instructions needed for these systems.

- ▶ Detailed information on combination possibilities can be requested directly from DewertOkin.

## 4. Description

The CONTROL UNIT HE200 is a control unit and for one or more DewertOkin massage motors. An external DewertOkin power supply unit is used to connect the CONTROL UNIT HE200 to the mains power. The CONTROL UNIT HE200 is equipped with built-in radio receiver.

### 4.1 Components

The housing of the CONTROL UNIT 258-4 has a connection for an external DewertOkin drive system, as well as connections for massage motors and various accessories.

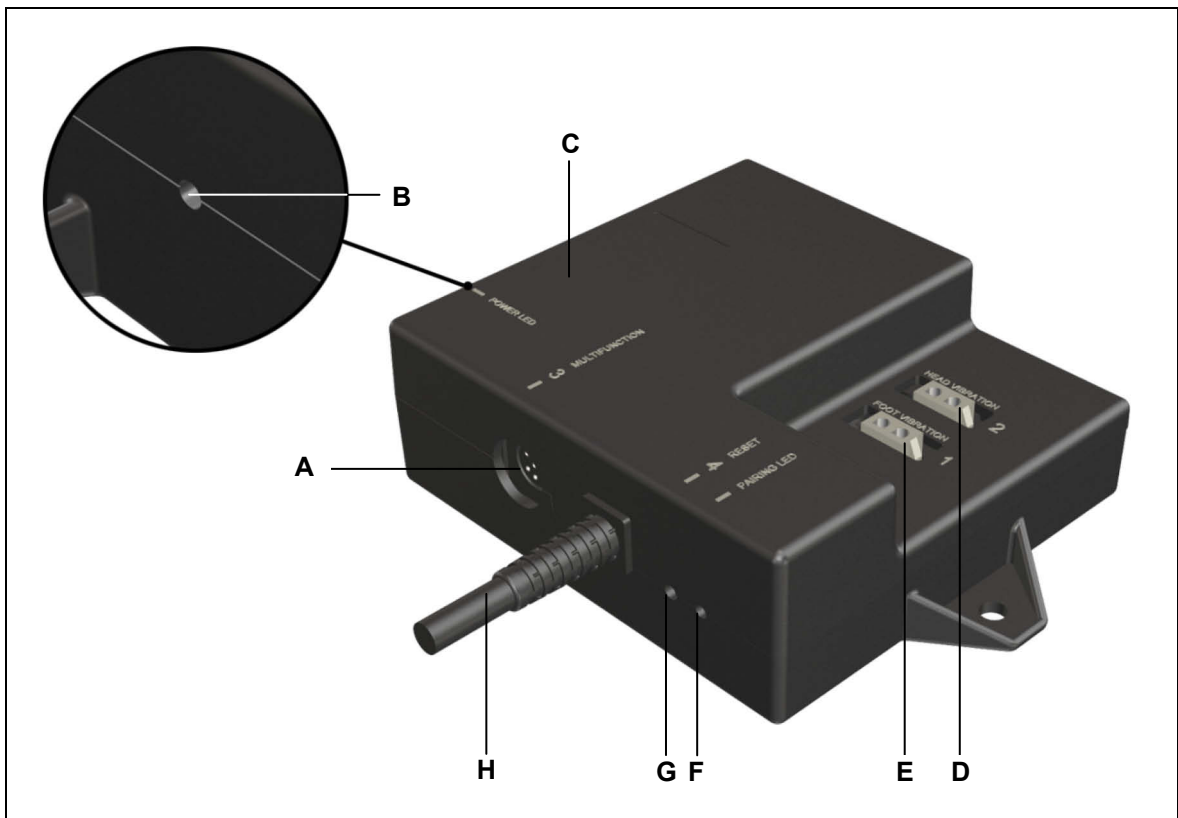


Figure 2 Control Unit HE200

- |   |   |
|---|---|
| <b>A</b> Multi-function port for optional accessories | <b>B</b> Power LED                                |
| <b>C</b> Control Unit HE200                           | <b>D</b> Port for massage motor at head side      |
| <b>E</b> Port for massage motor at foot side          | <b>F</b> Pairing LED                              |
| <b>G</b> Reset button / Pairing button                | <b>H</b> Connection for the external drive system |

## 5. Technical specifications

Input voltage	24 – 29 V
Permissible total current consumption under nominal operating conditions	Max. 6 A in intermittent duty, 2 min. ON / 18 min. OFF
Current consumption from the massage motor	Max. 1.0 A in continuous operations
Operating mode 1)	Intermittent duty 2 min./18 min.
Protection class	III
Protection degree	IP20
<b>Dimensions and weight</b>	
Length x width x height	182 mm x 101 mm x 50 mm
Weight	Approx. 400 g
<b>Ambient conditions for operation, storage and transport</b>	
Transport / storage temperature	From -20 °C to +50 °C From -4 °F to +122 °F
Operating temperature	From +10 °C to +40 °C From +50 °F to +104 °F
Relative humidity	From 30% to 75%
Air pressure	From 800 hPa to 1060 hPa
Height	< 2000 m

<sup>1</sup> Mode of operation: intermittent duty 2 min./18 min. This means that after the unit is operated with its rated load for up to two minutes it must then be paused for 18 minutes. The system can malfunction if this pause is not observed!

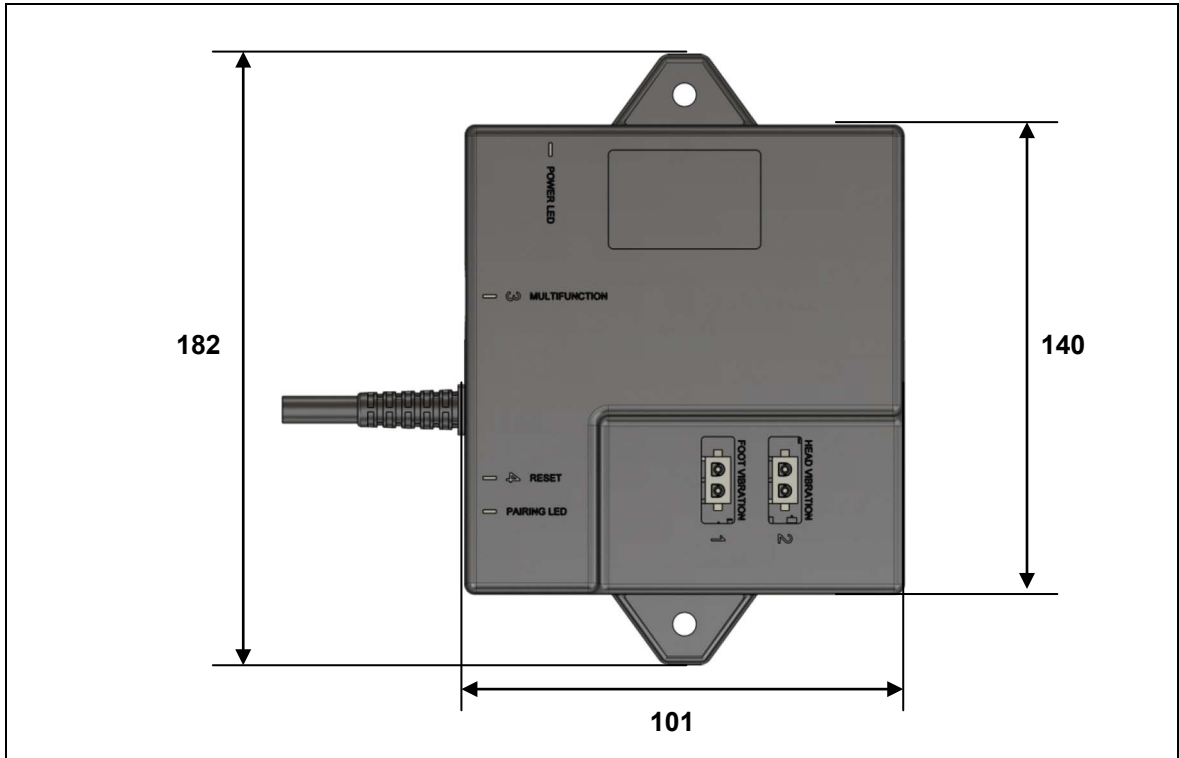


Figure 3 Dimensions of the CONTROL UNIT HE200, top view (in mm)

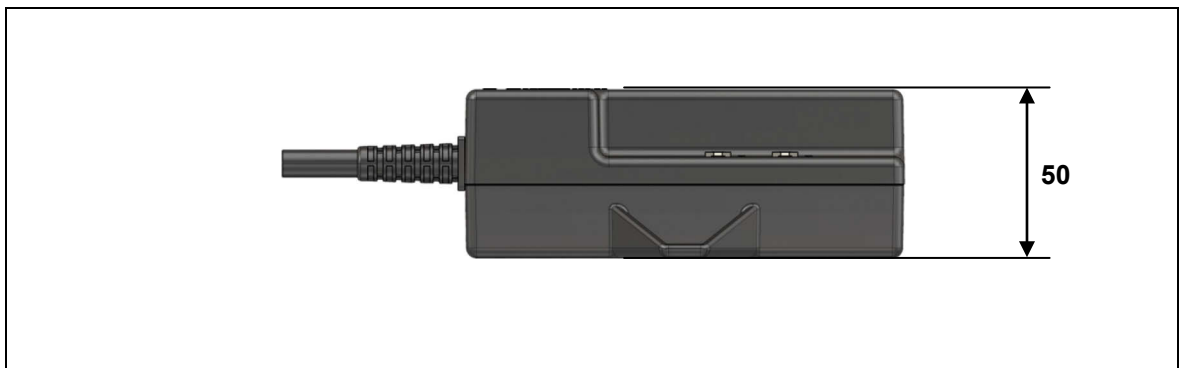


Figure 4 Dimensions of the CONTROL UNIT HE200, side view (in mm)

## 6. Installation

### 6.1 Safety notices to observe during installation

Basic safety rules must be followed in order to ensure that the end product can be continually operated in a safe manner. These rules must be observed while using the end product and while installing the CONTROL UNIT HE200 in the end product.

#### 6.1.1 Ensuring operational reliability during installation

The safety and reliability of the end product containing DewertOkin components can be ensured by using the proper construction methods as described below.

### 6.2 Installation procedure

Before installing and connecting the CONTROL UNIT HE200, make sure that you are observing all of the safety notices found in the "Safety notices to observe during installation" section.

#### 6.2.1 Mounting the CONTROL UNIT HE200 to the end product

Two screws should be used at the two mounting points to attach the CONTROL UNIT HE200 to the end product.

- ▶ The drilling dimensions shown in Figure 5 only illustrate an example and are not necessarily authoritative for all applications.

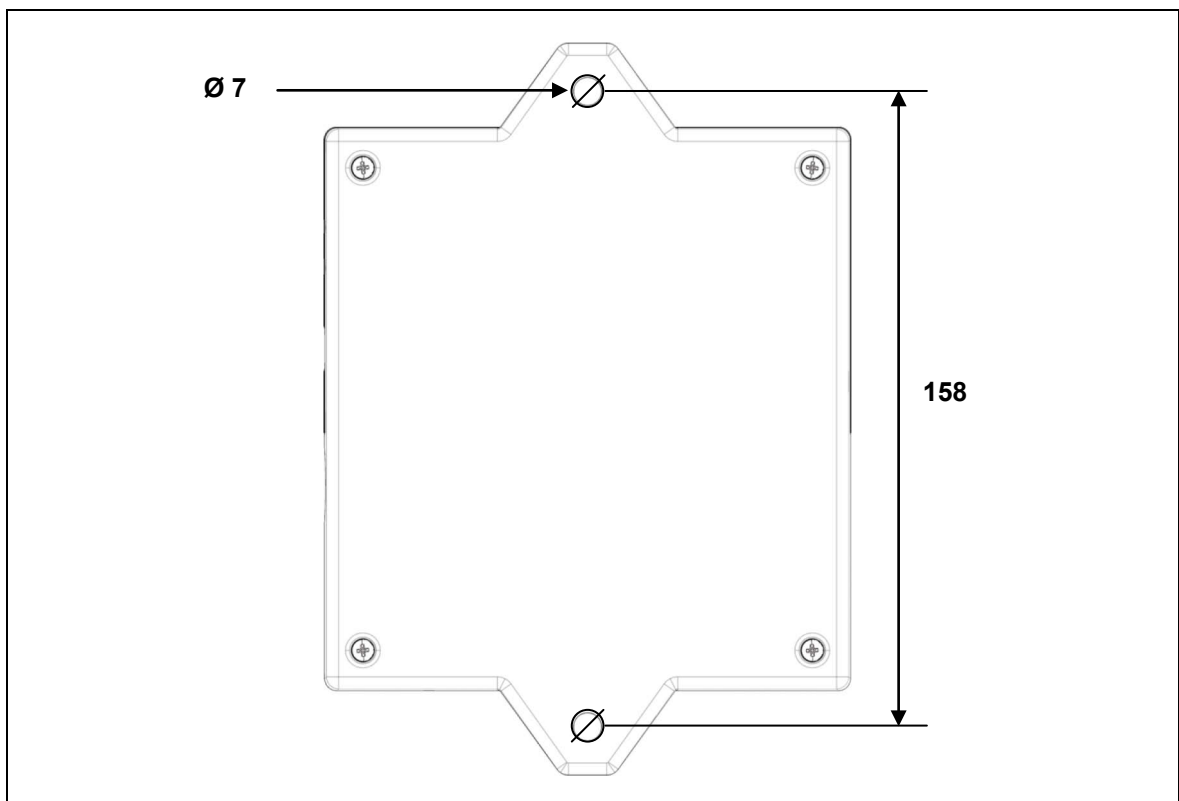


Figure 5 Drilling dimensions (example): Mounting points on the CONTROL UNIT HE200, (in mm)

**⚠ CAUTION**

You should only connect and disconnect the cables when they are completely disconnected from any live current!

Screw the control unit onto the end product (as shown in Figure 6 ). Use the mounting holes shown in Figure 5 located on the control unit. Use screws meeting the requirements of DIN 7049 with 4.8 mm diameter and of suitable length (5 mm plus the screw-in depth into the end product).

Proceed with the installation as follows:

- 1 Mark the drill holes.
- 2 Drill the two holes for the screws in the end product.
- 3 Screw in the two screws so the CONTROL UNIT HE200 is securely mounted to the end product.

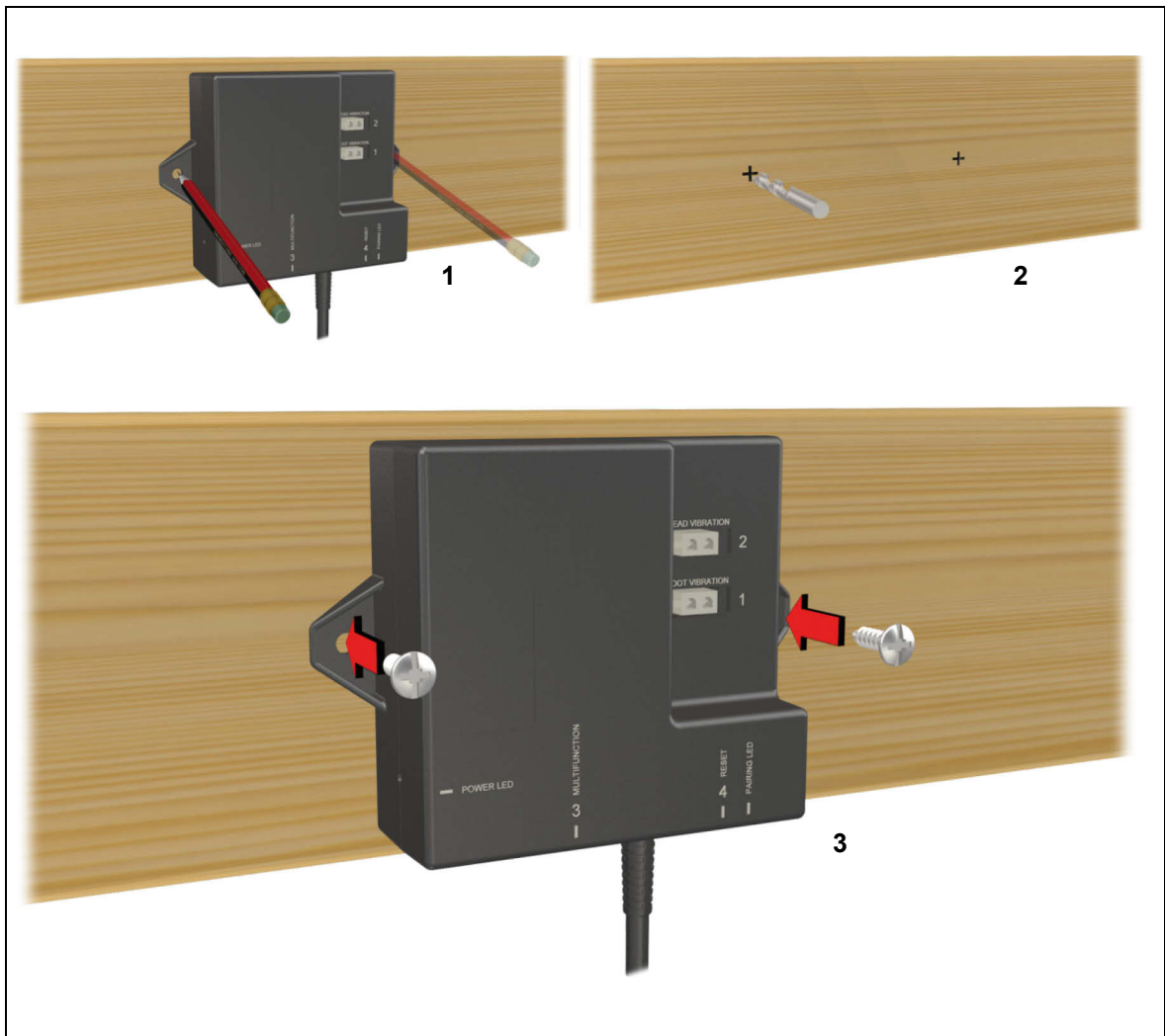


Figure 6 Installing the CONTROL UNIT HE200

## 6.2.2 Electrical connection



### CAUTION

#### Electric shock

Electrical components should be connected or disconnected only when the power supply cord is unplugged.

- ▶ There is a delay after the supply voltage is applied before the device actually turns on. Wait at least 7 seconds before initial commissioning.

#### Routing the electrical cables

When routing the cables, be sure that:

- the cables cannot get jammed,
- no mechanical load (such as pulling, pushing or bending) will be put on the cables, and
- the cables cannot be damaged in any way.

Fasten all cables (especially the connecting cables) to the end product using sufficient kink prevention methods. Be sure that the design of the end product prevents the connecting cables from coming into contact with the floor during transport.

#### Connecting the massage motors, the additional drives and the optional accessories

Make sure that you disconnect the components from all power sources before connecting them to the CONTROL UNIT HE200 (refer to Figure 2 for the proper connection for each component).



### CAUTION

#### Electric shock

You should only connect and disconnect the cables when they are completely disconnected from any live current!

## 7. Information about creating your Operating Manual

The factual information contained within may be used when you are creating the end-product manual. The installation instructions do not contain all information required for the safe operation of the end product. They only describe the assembly and operation of the CONTROL UNIT HE200 as a partially assembled piece of machinery.

- ▶ When creating the operating instructions, remember that the installation instructions are intended for qualified specialists and are not for typical users of the end product.

### 7.1 General information

- ▶ You should only connect drives, massage motors and accessories from DewertOkin to the CONTROL UNIT HE200. Only DewertOkin components have been verified to work when combined together.

#### Delayed start-up

After plugging the power plug into the power outlet:

- ▶ There is a delay after the supply voltage is applied before the device actually turns on. Wait at least 7 seconds before initial commissioning.

#### Power-on time / intermittent operations

The CONTROL UNIT HE200 has been designed for intermittent operations. Intermittent operation is an operational mode where the drive must pause after a specified maximum period of operation (power-on time). This protects the drive from overheating. Extreme overheating can cause a malfunction.

- ▶ The ratings plate specifies the maximum power-on time and the required pause intervals.

#### Avoiding electrical risks



#### CAUTION

##### Electric shock

Make sure that no live (current-carrying) components and connections on the control unit can be touched.



#### CAUTION

##### Risk of accident

Please follow these operating instructions carefully. You could be injured by fire or electrical shock if you do not follow these assembly instructions.



**Shutting down the CONTROL UNIT HE200 in the event of an emergency**

In an emergency, disconnect the mains power plug from its socket in order to shut off the connected drive, the accessory, and the massage motors. The power plug must always be accessible during operations so that it is possible to shut down the CONTROL UNIT HE200.

**Avoiding cable damage**

Be sure that your operating instructions inform the user about the possible cable risks.

**CAUTION****Risk of accident**

The cables (particularly the connecting cable) should not be run over. In order to prevent injuries or damage to the drive and CONTROL UNIT HE200, no mechanical strain should be placed on the cables.

## 8. Troubleshooting

This chapter describes troubleshooting methods for fixing problems. If you experience an error that is not listed in this table, please contact your supplier.

- ▶ Only qualified specialists who have received electrician training should carry out troubleshooting and repairs.

Problem	Possible cause	Solution
The drive, accessory or massage motor is not functioning.	There is no mains supply voltage.	Connect the mains power.
	The massage motor or accessory is defective.	Please contact your supplier or sales agent.
	The hand-held remote control has not been programmed with the teach-in.	Carry out the teach-in routine for the hand-held remote.
	The hand-held remote batteries are empty.	Replace the batteries.
The drive or massage motors are suddenly not capable of movement.	The system protective circuit breaker has triggered.	Allow the system to rest for 20 to 30 minutes with the mains power unplugged. If this does not resolve the problem, contact your supplier or distributor.
	The unit's fuse may have been triggered.	Please contact your supplier or sales agent.
	The hand-held remote batteries are empty.	Replace the batteries.
	Radio interference	Try to re-establish the wireless connection.
	There is no mains supply voltage.	Connect the mains power.
	A cable has been disconnected (to the mains power, massage motors, drives or accessory).	Check the cables and reinsert them, if required.

## 9. Maintenance

- ▶ The CONTROL UNIT HE200 requires no maintenance.

### 9.1 Cleaning and care

The CONTROL UNIT HE200 was designed so that it would be easy to clean. Its smooth surfaces simplify the cleaning process.

- ▶ Clean the CONTROL UNIT HE200 as needed using a dry cloth.

**NOTICE**

- Always disconnect the mains power plug from the DewertOkin external power supply before you start to clean it.
- Never clean the CONTROL UNIT HE200 in an automated washing system or with a high-pressure cleaner. Do not allow fluids to penetrate the lighting. Damage to the system could result.
- Do not use a cleanser that contains benzene, alcohol or similar solvents.
- Be sure that you do not damage the connecting cables during the cleaning.

## 10. Disposal

### 10.1 Packaging material

The packaging material should be sorted into recyclable components and then disposed of in accordance with the appropriate national environmental regulations (in Germany according to the recycling law KrWG from 01.06.2012; internationally according to the EU Directive 2008/98/EC (Waste Framework Directive WFD as of 12.12.2008)).

### 10.2 Components in the control unit

The CONTROL UNIT HE200 consists of electronic components, cables and metal and plastic parts. You should observe all corresponding national and regional environmental regulations when disposing of the system.

The disposal of the end product is regulated in Germany by Elektro-G, internationally by the EU Directive 2012/19/EC (WEEE), or by any applicable national laws and regulations.



The CONTROL UNIT HE200 should not be disposed of with normal household waste!

## EG-Konformitätserklärung

Nach Anhang IV der EMV-Richtlinie 2014/30/EU

Nach Anhang IV der EU-Niederspannungsrichtlinie 2014/35/EU

Nach Anhang VI der RoHS-Richtlinie 2011/65/EU (inkl. Delegierte Richtlinie (EU) 2015/863)

Der Hersteller

## EU Declaration of Conformity

*In compliance with Appendix IV of the EMC-Directive 2014/30/EU*

*In compliance with Appendix IV of the LVD-Directive 2014/35/EU*

*In compliance with Appendix VI of the EU RoHS Directive 2011/65/EU (incl. Commission delegated Directive (EU) 2015/863)*

*The manufacturer*

DewertOkin GmbH  
Weststraße 1  
32278 Kirchlegern  
Deutschland - Germany

erklärt hiermit, dass das Produkt

*declares that the following product*

### HE200

**mit DewertOkin Komponenten / with DewertOkin components**

die Anforderungen folgender EG-Richtlinien erfüllt:

*meets the requirements of the following EU directives:*

**Richtlinie über elektromagnetische Verträglichkeit 2014/30/EU**

***Electromagnetic Compatibility Directive 2014/30/EU***

**Niederspannungsrichtlinie 2014/35/EU**

***Low Voltage Directive 2014/35/EU***

**DELEGIERTE RICHTLINIE (EU) 2015/863 DER KOMMISSION vom 31. März 2015 zur Änderung von Anhang II der Richtlinie 2011/65/EU des Europäischen Parlaments und des Rates hinsichtlich der Liste der Stoffe, die Beschränkungen unterliegen.**

***COMMISSION DELEGATED DIRECTIVE (EU) 2015/863 of 31 March 2015 amending Annex II to Directive 2011/65/EU of the European Parliament and of the Council as regards the list of restricted substances.***

Angewendete Normen

*Applied standards:*

- EN 60335-1:2012/A11:2014
- EN 55014-1:2006/A1:2009/A2:2011
- EN 55014-2:1997/A1:2001/A2:2008
- EN 61000-3-2:2014
- EN 61000-3-3:2013
- EN 62233:2008

Konstruktive Änderungen, die Auswirkungen auf die in der Montageanleitung angegebenen technischen Daten und den bestimmungsgemäßen Gebrauch haben, das Produkt also wesentlich verändern, machen diese Konformitätserklärung ungültig!

*This declaration of conformity is no longer valid if constructional changes are made which significantly change the drive system (i.e., which influence the technical specifications found in the instructions or the intended use)!*

Kirchlegern, Germany 25 November 2019



Dr.-Ing. Josef G. Groß  
Geschäftsführer / Managing Director

## **EG-Konformitätserklärung**

(Ausführung 2,4GHz)

Nach Anhang VI der RED-Richtlinie 2014/53/EU

Nach Anhang VI der RoHS-Richtlinie 2011/65/EU  
(inkl. Delegierte Richtlinie (EU) 2015/863)

Der Hersteller

DewertOkin GmbH  
Weststraße 1  
32278 Kirchlengern  
Deutschland - Germany

erklärt hiermit, dass das Produkt

## **EU Declaration of Conformity**

(Version 2.4GHz)

*In compliance with Appendix VI of the RED-Directive  
2014/53/EU*

*In compliance with Appendix VI of the EU RoHS  
Directive 2011/65/EU  
(incl. Commission delegated Directive (EU) 2015/863)*

*The manufacturer:*

*declares that the following product*

### **HE200**

die Anforderungen folgender EG-Richtlinien erfüllt:

**Richtlinie 2014/53 über die Harmonisierung der  
Rechtsvorschriften der Mitgliedstaaten über die  
Bereitstellung von Funkanlagen auf dem Markt**

**DELEGIERTE RICHTLINIE (EU) 2015/863 DER  
KOMMISSION vom 31. März 2015 zur Änderung  
von Anhang II der Richtlinie 2011/65/EU des Euro-  
päischen Parlaments und des Rates hinsichtlich  
der Liste der Stoffe, die Beschränkungen  
unterliegen.**

Angewendete Normen

- EN 60335-1:2012/A11:2014
- EN 55014-1:2006/A1:2009/A2:2011
- EN 55014-2:1997/A1:2001/A2:2008
- EN 61000-3-2:2014
- EN 61000-3-3:2013
- EN 62233:2008
- EN 62479:2010
- ETSI EN 300440 V2.1.1
- Draft ETSI EN 301489-1 V2.2.0
- Final Draft ETSI EN 301489-3 V2.1.1

Konstruktive Änderungen, die Auswirkungen auf die  
in der Montageanleitung angegebenen technischen  
Daten und den bestimmungsgemäßen Gebrauch  
haben, das Produkt also wesentlich verändern,  
machen diese Konformitätserklärung ungültig!

*meets the requirements of the following EU directives:*

***RED Directive 2014/53/EU***

***COMMISSION DELEGATED DIRECTIVE (EU)  
2015/863 of 31 March 2015 amending Annex II to  
Directive 2011/65/EU of the European Parliament  
and of the Council as regards the list of  
restricted substances.***

*Applied standards:*

*This declaration of conformity is no longer valid if  
constructional changes are made which significantly  
change the drive system (i.e., which influence the  
technical specifications found in the instructions or  
the intended use)!*



Kirchlengern, Germany 25. November 2019

Dr.-Ing. Josef G. Groß  
Geschäftsführer / Managing Director

DewertOkin GmbH  
Weststrasse 1  
Kirchlengern 32278, Germany  
Tel: +49(0)5223/979-0  
Fax.: +49 0 522375182  
<http://www.dewertokin.de>  
[Info@dewertokin.de](mailto:Info@dewertokin.de)

ID No.: 82687