



A Phoenix Mecano Brand



POWER PACK 1300

Installation Instruction

(Original installation instruction, translation)

Foreword

Disclaimer and exclusion of liability

DewertOkin is not responsible for damage resulting from:

- failure to observe these instructions,,
 - changes made to this product which have not been approved by DewertOkin, or
 - the use of replacement parts which have not been approved or manufactured by DewertOkin.
- We reserve the right to make unannounced technical changes in the course of our continual product improvement process!

Creation of a complete operating instruction manual for the entire end product

These instructions are only intended to be used by the end-product manufacturer. They should not be given to the operator of the end product. The factual information contained within may be used as a basis when creating the end-product manual.

The warning and danger notices are best suited for use in the end product's manual. However it is not sufficient to simply follow these notices. You should also carry out an internal risk assessment for your end product. This can then be used as the basis for the safety notices in your manual.

These installation instructions do not contain all information required to safely operate the end product. They only describe the installation and operation of the drive as partially completed machinery.

The instructions are intended for the technicians responsible for manufacturing an end product and not for the operators of the end product.

Table of Contents

Foreword	2
Disclaimer and exclusion of liability	2
Creation of a complete operating instruction manual for the entire end product	2
Table of Contents	3
1. General	4
1.1 Conventions used	4
1.2 Warranty	4
1.3 Selection and qualification of personnel	4
2. Safety notices	5
2.1 Type label	6
3. Description	7
3.1 Dimensions POWER PACK 1300	9
3.2 Connection options	9
4. Installation	10
4.1 Safety notices to observe during installation	10
4.2 Installation procedure	10
5. Notes for packaging and transport	13
6. Storage	14
6.1 Charging periods during storage	14
6.2 Operation	15
6.3 Technical Data for storing the batteries	15
7. Charging the battery	16
8. Commissioning	16
8.1 Notes for operation	17
9. Cleaning and care	17
10. Disposal	17
10.1 Packaging material	17
10.2 POWER PACK 1300 components	17
10.3 Batteries	17
11. Troubleshooting	18
EU Declaration of Conformity	19

1. General

The manufacturer of the end product must create an operating manual for that end product. The contents and especially the safety notices found in this document can be used in the operating instructions for the end product.



Read attentively and follow this information carefully before handling the rechargeable batteries. Keep this document in a safe place.



Be sure to follow the notices and information found on the battery and packaging.

1.1 Conventions used

Notices which do not relate to safety are indicated in these instructions with a triangle:

- ▶ Triangular notice symbol

Safety notice explanations



CAUTION

CAUTION against dangerous situation, risk of injury

NOTICE

NOTICE is used to address practices which are not related to personal injury but may result in damage to the product or surroundings.

1.2 Warranty

Rechargeable batteries, by their nature, have a limited lifespan and are characterized by gradual power loss over time. The normal depreciation and continual power loss exhibited by the battery are not covered by any warranty claims.

1.3 Selection and qualification of personnel

The installation of the POWER PACK 1300 in the end product may only be performed by qualified personnel.

2. Safety notices



CAUTION

Leaking batteries present a health hazard!

- Leaking battery fluid can injure your skin or eyes.
- The fluid is harmful when touched or swallowed.
- If you come into contact with battery fluid, clean the affected area with water and contact a doctor.



CAUTION

- If the battery is damaged, it must be disposed immediately.
- Do not open or destroy the battery.
- Do not solder or weld at the battery or in the vicinity of the battery.
- Avoid contact with water.
- Use only by DewertOkin approved Chargers.

The POWER PACK 1300 should not be used:

- in any environment where combustible or explosive gases or vapours (e.g., anesthesiology) may be present,
- in the proximity of open fires or other heat sources (such as furnaces, ovens or direct sunlight),
- in any application that will be cleaned with an automated washing system,
- in a moist environment,
- outdoors,
- as a power source for toys or games.

The POWER PACK 1300 can be used by children of 8 years and older, persons with reduced physical, sensory or mental capabilities, or persons with lack of experience or knowledge when they are supervised or instructed concerning the safe use of the device and when they understand the resulting risks. Do not allow children to play with this device. The cleaning and user maintenance must not be carried out by children without supervision.

NOTICE

- Improper storage can reduce the performance of your battery or destroy it.

2.1 Type label

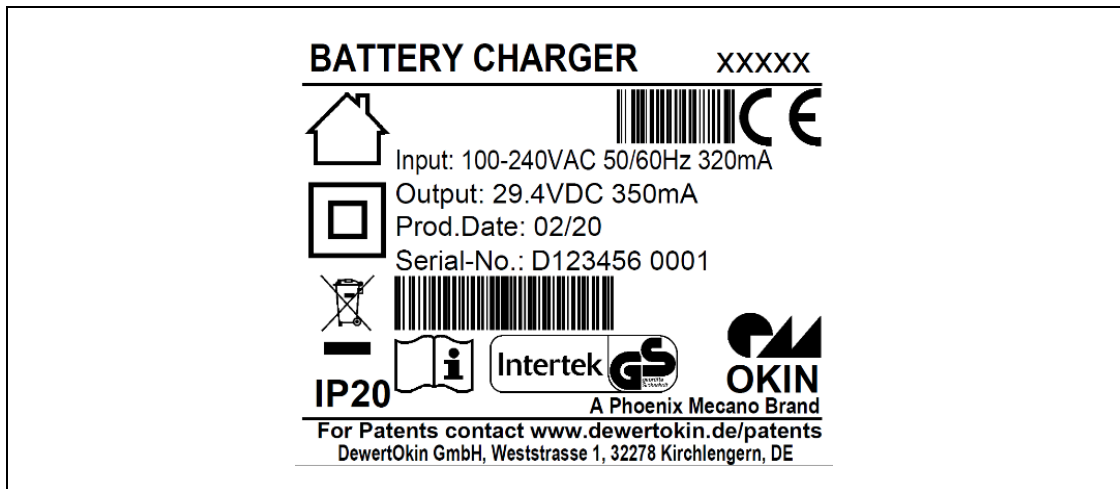


Fig. 1: Type label BATTERY CHARGER (example)

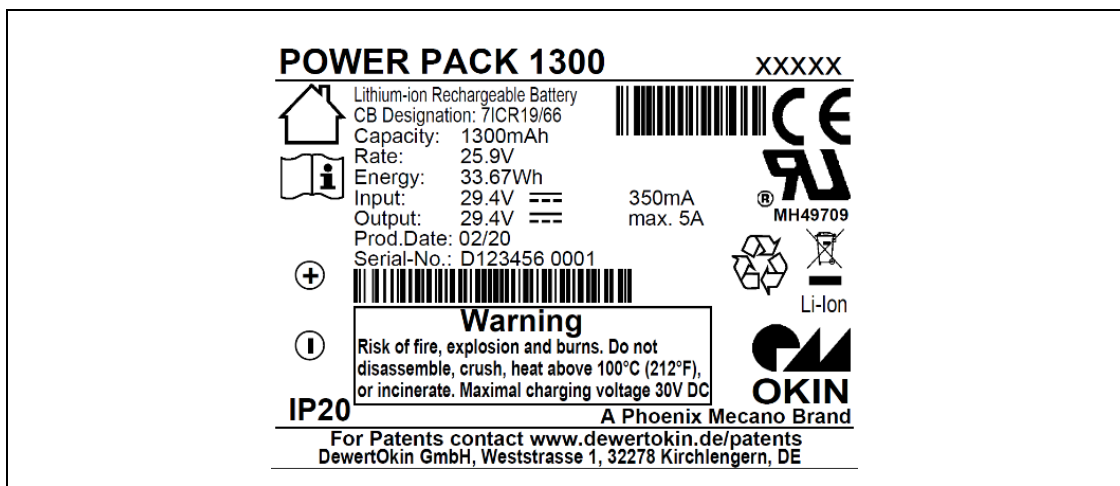


Fig. 2: Type label POWER PACK 1300 (example)

3. Description

The POWER PACK 1300 serves for mains independent power supply of electro motorical adjustable applications. The POWER PACK 1300 has the following special features:

- The POWER PACK 1300 is used as a power supply at power failure.
- ▶ We reserve the right to make unannounced technical changes in the course of our continual product improvement process!

To charge the POWER PACK 1300 the special OKIN BATTERY CHARGER with the appropriate country version is necessary, alternate use the PD12 POWER SUPPLY with a special connecting cable (see Fig. 06)

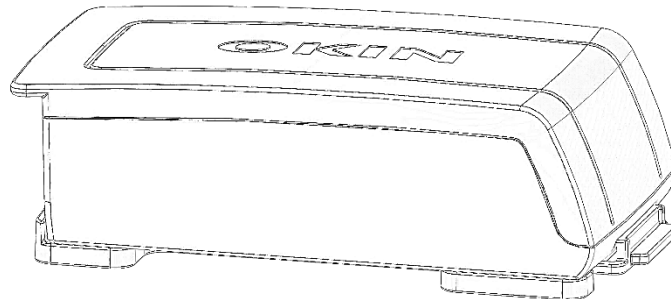


Fig. 03: POWER PACK 1300

Important Features

- Very low self-discharge rate
- Short circuit proof
- Overcurrent switch off
- Mounting bracket (always enclosed in package)

Technical data

- Lithium-Ion Akku (li-Ion) Lithium-Ion (li-Ion)
- Capacity: 1300 mAh (38.22 Wh)
Energy: 33,67Wh
- max. voltage 29.4 V DC
- max. output current 5A
- Temperature range 0°C - 40°C
- Charging time approx. 3 - 6 h (depending on charging state)
If charging with PD 12 it can be up to 12 h
- Low weight: approx. 450g
- approx. 500 charging cycles (depending on usage and operational conditions)

Options

- Acoustic warning signal for low remaining charge

Version	Low charge warning	Power supply
POWER PACK 1300 WH-BK/ without remaining capacity warning UN 3481, CB/IEC62133, UL 1642	no	1300 mAh/DC 29,4V/≤ 5A DC
POWER PACK 1300 WH-BK / with remaining capacity warning UN 3481, CB/IEC62133, UL 1642	yes	1300 mAh/DC 29,4V/≤ 5A DC

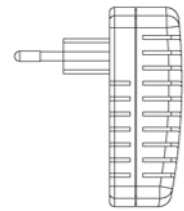
OKIN BATTERY CHARGER

(100-240 VAC, 50/60 Hz , 350 mA/ 29,4 VDC)

BATTERY CHARGER for POWER PACK 1300 power plug (EURO version)

BATTERY CHARGER for POWER PACK 1300 power plug (USA version)

BATTERY CHARGER for POWER PACK 1300 power plug (UK version)



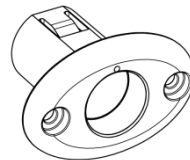
Warning:

For charging the POWER PACK 1300 the special OKIN BATTERY CHARGER or the PD12 POWER SUPPLY with special connecting cable must be used! (see fig. 06)

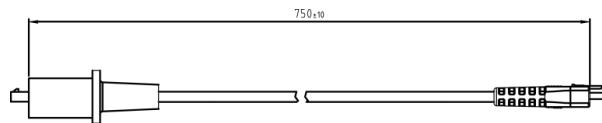
LED display (OKIN BATTERY CHARGER)
(green = power on - battery charged / red = charging)

Accessories

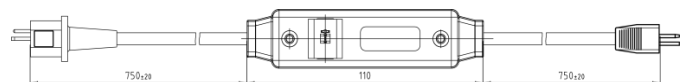
Charging socket
BK / RAL 9005



Connecting cable
2x0,34MM²x 500MM BK



Connecting cable
2x0,75x 840mm
BK LS/PVC/LS-
charging socket



PD12 POWER SUPPLY with
LS socket

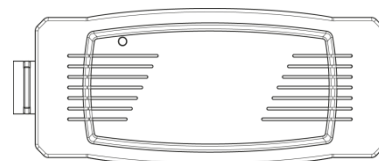


Fig. 04: Overview accessories POWER PACK 1300

3.1 Dimensions POWER PACK 1300

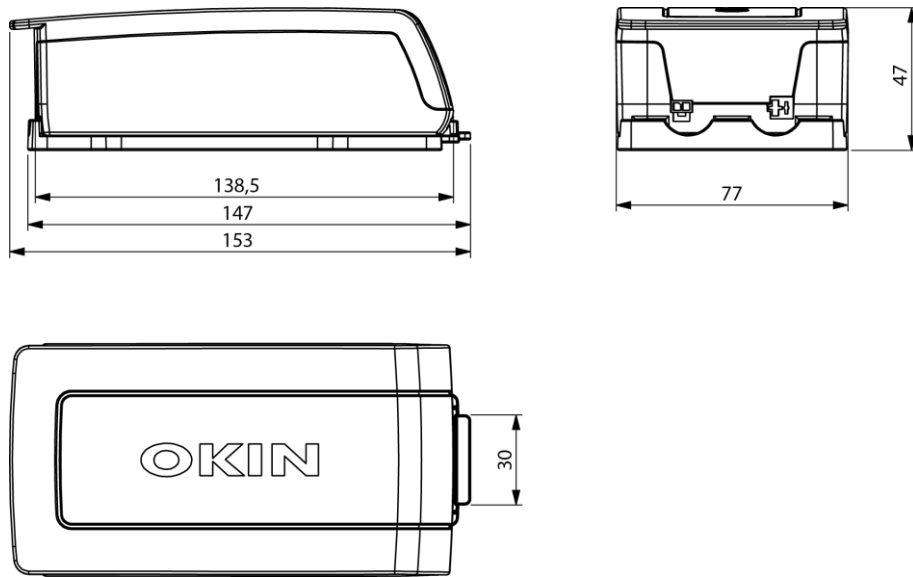


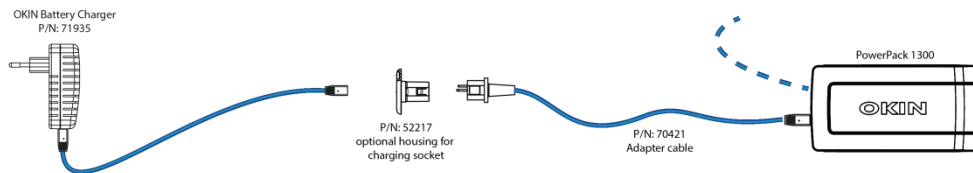
Fig. 05: Overview from the accessories POWER PACK 1300

3.2 Connection options

As standard the POWER PACK 1300 is charged as needed with the OKIN BATTERY CHARGER.

Optionally, instead of OKIN BATTERY CHARGER the PD12 POWER SUPPLY be used possible with special connection cable (71691) application. It is possible to adjust the application during the charging process.

Standard



Option

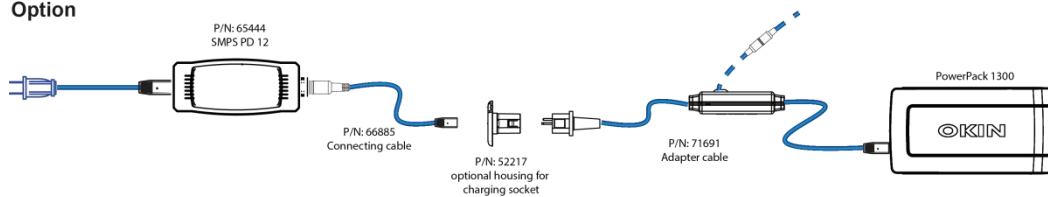


Fig. 06: Overview of charging options POWER PACK 1300

NOTICE

Should the POWER PACK 1300 be used in combination with operating elements that have a power consumption at rest, such as touch sensors, RF-systems or Bluetooth-adapters it perhaps must be charged more frequently.

Please contact your supplier!

4. Installation

4.1 Safety notices to observe during installation

Basic safety rules must be followed in order to ensure that the end product can be continually operated in a safe manner. These rules must be observed while using the end product and while in-stalling the POWER PACK 1300.

Avoiding electrical faults

The POWER PACK 1300 is connected via connecting cable to the components. When sizing your end product, remember that the connecting cable must never be squashed (e.g. by moving over it) during operations. Also ensure that no tension, compression or bending forces are acting on it.

Ensuring operational reliability during installation

The safety and reliability of the end product containing DewertOkin components can be ensured by using the proper construction methods described below.

4.2 Installation procedure

Before installing and connecting the POWER PACK 1300, make sure that you are observing all of the safety notices found in the "Safety notices to observe during installation" section.

The POWER PACK 1300 can be inserted into the mounting plate that is attached to the end product.

Mounting the POWER PACK 1300 to the end product

Four screws should be used at the four mounting points to attach the POWER PACK 1300 mounting plate to the end product. The mounting plate should be mounted so that it lies flat against its supporting base. In the end product, no mechanical forces (such as torsion) should be put on the mounting plate or the POWER PACK 1300. Such forces could lead to damage (such as cracks) in the housing.



CAUTION

Risk of accident

Work on electrical components should be conducted only when the mains power connection is unplugged.



CAUTION

Risk of accident

You should only connect and disconnect the cables when they are completely disconnected from any live current!

NOTICE

The following information is important when mounting the POWER PACK 1300:

- Charge the POWER PACK 1300 completely (for at least 24 hours) before first use.
- The installed batteries achieve their full capacity only after a few discharge cycles.

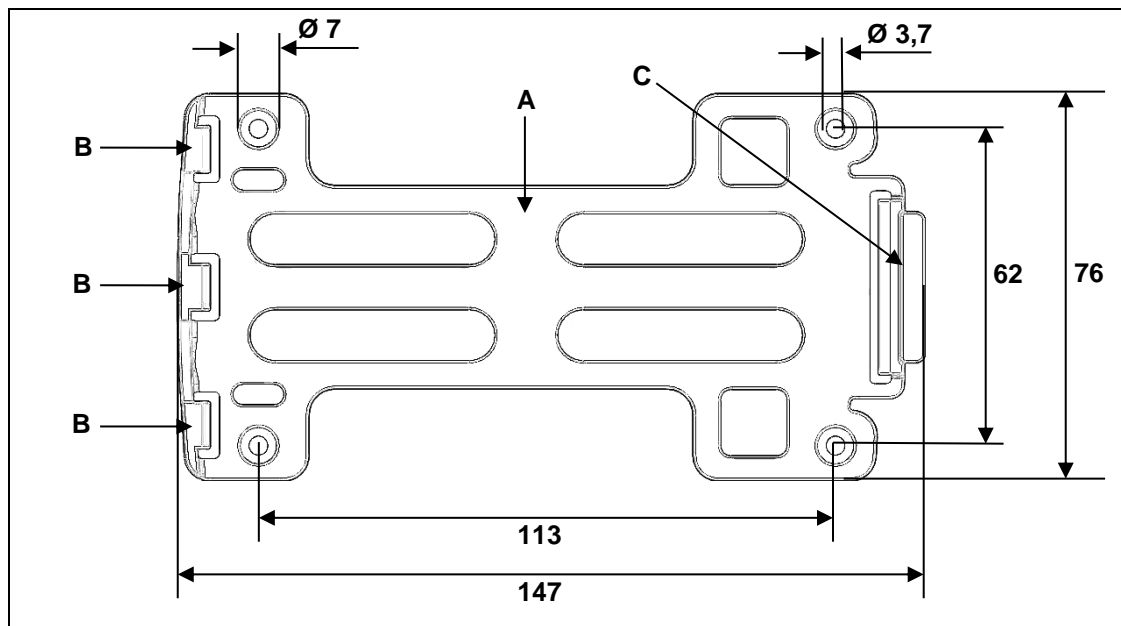


Fig. 07: Mounting points on the mounting plate (specifications in mm)

A Mounting plate

B Back locking clips

C Front locking clips

Proceed as follows to install the mounting plate:

- Mark the positions of the mounting points on your end product.
- Drill out the mounting points.
- Screw the mounting plate (**A**) into position using four mounting points. Use suitable screws (e.g. ISO 7049 ST3,5 x 16) to attach it to your end product. Make sure that the mounting plate lies completely flat against its supporting base. This will prevent mechanical forces such as torsion.

Proceed as follows to insert the POWER PACK 1300:

Place the battery in the back locking clip (**B**) of the mounting plate. Then push the battery into the front locking clip (**C**) until the battery snap in.

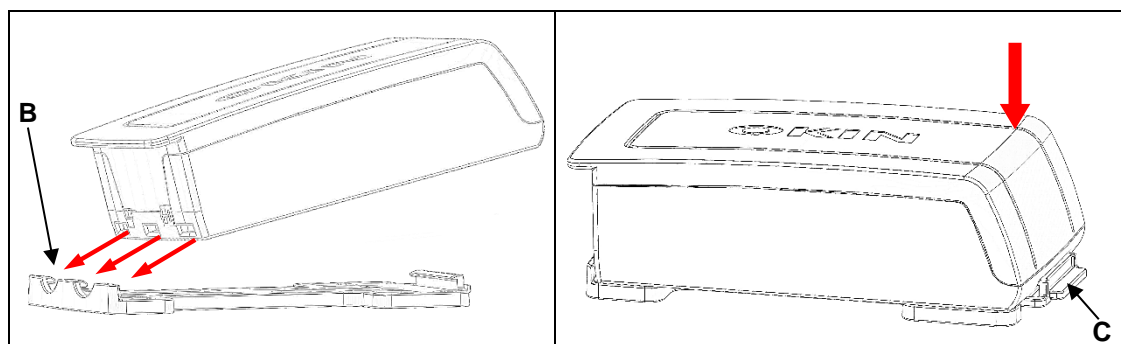


Fig. 08: Insert the POWER PACK 1300 into the mounting plate

- You may now connect the connecting cables in the following order:
 1. Drive system (e.g. drive(s), control unit, handset,
 2. The POWER PACK 1300 to the drive system and the Power Supply (e.g. POWER SUPPLY PD12)
 3. Finally connect the mains plug of the power supply in the wall socket.

Proceed as follows to remove or change the POWER PACK 1300:

- You may now disconnect the connecting cables in the following order:
 1. Disconnect the mains plug of the power supply from the wall socket.
 2. The POWER PACK 1300 from the drive system and the Power Supply (e.g. POWER SUPPLY PD12)
 3. Drive system (e.g. drive(s), control unit, handset,)

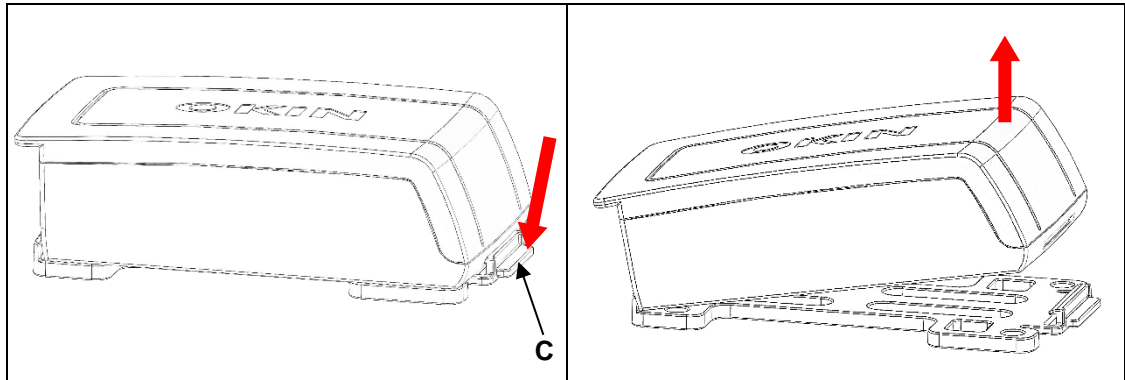


Fig. 09: Remove / change the POWER PACK 1300 from the mounting plate

- Press on the locking clips (C) with a little force, the battery comes free and can be removed or replaced.

Electrical connection

Routing the electrical cables

When routing the cables, be sure that:

- the cables cannot get jammed,
- no mechanical load (such as pulling, pushing or bending) will be put on the cables, or
- the cables cannot be damaged in any way.

Fasten all cables (especially the mains cable) to the end product using sufficient strain relief and kink prevention methods. Be sure that the design of the end product prevents the mains cable from coming into contact with the floor during transport.

5. Notes for packaging and transport



CAUTION

Damaged POWER PACK 1300

A damaged POWER PACK 1300 must not be connected or taken into operation. Please contact your sales partner/supplier immediately!

The POWER PACK 1300 is shipped ex works according to the applicable packaging regulations. Take care when transporting, that the risk of falling or slipping is avoided. Before unpacking, check the secondary packaging for damages. Also check optional accessories for completeness.

To prevent injury please follow the safety instructions given in chapter 2, before you unpack your product.

If the packaging is damaged or you note a damage after unpacking, please immediately report.

In case of product return the following notes need to be observed:

When transporting Li-ion storage batteries the current regulations according to ADR for road transport and/or IATA for air shipping must be observed.

Damaged storage batteries must be assessed case by case with respect to safe transport.

Please contact your sales partner/supplier.

➡ Please consider the disposal notes in chapter 9.

6. Storage



CAUTION

The battery should be stored so that the battery terminals cannot short circuit each other and so the terminals cannot be short circuited by any metal surroundings.

NOTICE

Rechargeable batteries must be charged at least six months after their production date or charged immediately upon delivery and then after six months of storage. For some drive systems, a minimal level of current may flow even when the drive is not being used. After a prolonged period this can lead to a low charge status.

If the POWER PACK 1300 is discharged and not in use for a long time it can be damaged.

NOTICE

The battery may not be connected to a drive system or control unit in delivery or storage condition!

The connection cable for the battery should be disconnected from the control unit or drive as well as from mains supply if you are not planning to use the drive system for an extended period. It should then be reconnected before you plan to use the system. This will prevent the battery from losing its charge in certain applications.



Do not store in direct sunlight.

6.1 Charging periods during storage

NOTICE

Following longer periods of storage, the batteries may need to be charged and discharged several times so that performance reaches a peak.

6.2 Operation

Type of check / action	Explanation	Time interval
Recharging	To maintain battery performance	No longer than six months after date of manufacture.
Recharging during storage	Recharge during storage to maintain battery performance capability approx. three months	At least every six months.
Limit the storage time	Dispose of the battery after the maximum storage time is exceeded!	Maximum storage time is 12 months

6.3 Technical Data for storing the batteries

Storage temperature:	from 0°C to +40°C
Relative humidity:	from 30% to 90%
Air pressure:	from 800 hPa to 1060 hPa
Altitude	< 2000m

7. Charging the battery

NOTICE

Due to the chemical reactions the POWER PACK 1300 warms-up during charging.

If the POWER PACK 1300 should become really hot, the protective circuit is defective. In this case remove the charging cable and the connection cable of the drive / control unit and check the unit (POWER PACK 1300 and OKIN BATTERY CHARGER) by an authorized technician or producer.

Exclusively use the recommended OKIN BATTERY CHARGER for charging and make yourself familiar with the operation of the device.

Do not set up the OKIN BATTERY CHARGER in bath- or shower rooms. The charger is not splash proof.

Only recharge the POWER PACK 1300 at the temperatures given below:

Charging temperature: from 0°C to + 40°C

Once the POWER PACK 1300 is fully charged, the LED light will turn **green** on the charger, indicating the charging cycle is complete.

Charging time of the OKIN BATTERY CHARGER may take approx. 3 - 6 h.

Charging time of the PD12 POWER SUPPLY up to 12 h. (no LED for charging indication available).

If the charging cycle is completed, disconnect the OKIN BATTERY CHARGER from the socket and the POWER PACK 1300.

8. Commissioning

NOTICE

Charge the POWER PACK 1300 completely before first use.



The POWER PACK 1300 can then perform optimally when the product is being used at normal room temperatures from 18 °C to 25 °C. The operating temperature should never exceed 40 °C.



The acoustic low battery-warning built-in to the POWER PACK 1300 is only active when the drive is moving!

The POWER PACK 1300 deliver their full capacity after 5-10 charge and discharge cycles.

It is possible that after long periods of storage, several cycles of charging and re-charging may be required to restore the performance of the POWER PACK 1300.

- ➔ Connect the POWER PACK 1300 to the OKIN BATTERY CHARGER ensuring the correct connection port is used. The plug should fit securely in place.
- ➔ Connect the OKIN BATTERY CHARGER to the socket. During charging lights the LED of the OKIN BATTERY CHARGER **red**. If the charging cycle is complete lights the LED **green**.

8.1 Notes for operation

NOTICE

If you not use the drive system for an extended period, disconnect the POWER PACK 1300 from the control unit/drive system as well as from the mains supply. It should then be re-connected if you plan to use the system. This will prevent the battery from losing its charge in certain applications.

9. Cleaning and care

The POWER PACK 1300 is maintenance free.

Clean the POWER PACK 1300 as needed using a dry cloth.

NOTICE

Do not let the POWER PACK 1300 come into contact with humidity as water or organic solvents such as alcohol, oil, solvents and antirust agents, or agents abrasive to the surface such as chemical cleaning agents

10. Disposal

10.1 Packaging material

The packaging material should be sorted into recyclable components and then disposed of in accordance with the appropriate national environmental regulations (in Germany according to the recycling law KrWG from 01.06.2012; internationally according to the EU Directive 2008/98/EC (Waste Framework Directive WFD as of 12.12.2008)).

10.2 POWER PACK 1300 components

The POWER PACK 1300 consists of electronic components, cables and metal and plastic parts. You should observe all corresponding national and regional environmental regulations when disposing of the POWER PACK 1300.

The disposal of the end product is regulated in Germany by Elektro-G, internationally by the EU Directive 2012/19/EC (WEEE), or by any applicable national laws and regulations.



The POWER PACK 1300 components should not be disposed of with normal household waste!

10.3 Batteries

The disposal of the rechargeable battery is regulated in the EU by the Battery Directive 2006/66/EC, in Germany by the BattG battery law of 25.6.2009, and internationally by any applicable national laws and regulations.



The POWER PACK 1300 components should not be disposed of with normal household waste!

11. Troubleshooting

This chapter describes troubleshooting methods for fixing problems. If you experience an error that is not listed in this table, please contact your supplier.

Problem	Possible cause	Solution
Handset or drive system without function	Handset or drive system defective	Contact your supplier/dealer
	POWER PACK 1300 is discharged	Charge the POWER PACK 1300
Drives suddenly no longer respond, no movement takes place	The unit's fuse may have been triggered	Contact your supplier/dealer
	A cable has been disconnected (mains power or handset, slave drive)	Check the cables, if necessary restore contact
	POWER PACK 1300 is discharged	Charge the POWER PACK 1300
	Overload fuse has been triggered	Stop operating the system for 5 sec. and charge the POWER PACK 1300

EG-Konformitätserklärung

Nach Anhang IV der EU-Niederspannungsrichtlinie 2014/35/EU

Nach Anhang VI der RoHS-Richtlinie 2011/65/EU (inkl. Delegierte Richtlinie (EU) 2015/863)

Der Hersteller

DewertOkin GmbH
Weststraße 1
32278 Kirchlegern
Deutschland - Germany

erklärt hiermit, dass das Produkt

EU Declaration of Conformity

In compliance with Appendix IV of the LVD-Directive 2014/35/EU

In compliance with Appendix VI of the EU RoHS Directive 2011/65/EU (incl. Commission delegated Directive (EU) 2015/863)

The manufacturer

declares that the following product

POWER PACK 1300¹⁾

die Anforderungen folgender EG-Richtlinien erfüllt:

Niederspannungsrichtlinie 2014/35/EU

DELEGIERTE RICHTLINIE (EU) 2015/863 DER KOMMISSION vom 31. März 2015 zur Änderung von Anhang II der Richtlinie 2011/65/EU des Europäischen Parlaments und des Rates hinsichtlich der Liste der Stoffe, die Beschränkungen unterliegen.

Angewendete Normen

- EN 62233:2008
- EN 62133:2017

Konstruktive Änderungen, die Auswirkungen auf die in der Montageanleitung angegebenen technischen Daten und den bestimmungsgemäßen Gebrauch haben, das Produkt also wesentlich verändern, machen diese Konformitätserklärung ungültig!

meets the requirements of the following EU directives:

Low Voltage Directive 2014/35/EU

COMMISSION DELEGATED DIRECTIVE (EU) 2015/863 of 31 March 2015 amending Annex II to Directive 2011/65/EU of the European Parliament and of the Council as regards the list of restricted substances.

Applied standards:

This declaration of conformity is no longer valid if constructional changes are made which significantly change the drive system (i.e., which influence the technical specifications found in the instructions or the intended use)!

Kirchlegern, Germany 27 January 2020



Dr.-Ing. Josef G. Groß
Geschäftsführer / Managing Director

¹⁾ mit DewertOkin Antriebssystem / with DewertOkin drive system



A Phoenix Mecano Company

DewertOkin GmbH
Weststraße 1
32278 Kirchlengern
Tel: +49 (0)5223/979-0
Fax: +49 (0)5223/75182
<http://www.dewertokin.de>
Info@dewertokin.de

ID-Nr.: 76265