

Installation Instructions

(Translation of the original installation instructions)



DD11 System
DD21 System

Document revision history

| Version | Date | Modification, change |
|---------|---------|----------------------|
| (-) | 10/2016 | First release |

Disclaimer and exclusion of liability

DewertOkin is not responsible for damage resulting from:

- failure to observe these instructions,
- changes made to this product which have not been approved by DewertOkin, or
- the use of replacement parts which have not been approved or manufactured by DewertOkin.

► We reserve the right to make unannounced technical changes in the course of our continual product improvement process!

Creation of a complete operating instruction manual for the entire end product

These instructions are only intended to be used by the end-product manufacturer. They should not be given to the operator of the end product. The factual information contained within may be used as a basis when creating the end-product manual.

The warning and danger notices are best suited for use in the end product's manual. However it is not sufficient to simply follow these notices. You should also carry out an internal risk assessment for your end product. This can then be used as the basis for the safety notices in your manual.

These installation instructions do not contain all information required to safely operate the end product. They only describe the installation and operation of the drive as partially completed machinery.

The instructions are intended for the technicians responsible for manufacturing an end product and not for the operators of the end product.

| | |
|---|-----------|
| Document revision history | 3 |
| Disclaimer and exclusion of liability..... | 3 |
| Creation of a complete operating instruction manual for the entire end product..... | 3 |
| 1. General Information..... | 6 |
| 1.1 About these installation instructions | 6 |
| 1.2 Safety notices within the installation instruction and the operating instructions for the entire machine | 7 |
| 1.3 Conventions used | 7 |
| 2. Safety notices | 8 |
| 2.1 Proper and intended usage..... | 8 |
| 2.2 Selection and qualification of personnel | 9 |
| 3. System component description | 10 |
| 3.1 Complete installed system DESKFRAME C DD-A 1xCB / DESKFRAME C DD-A 2xCB | 10 |
| 3.2 Mounted complete system DESKFRAME C DD-B 1xCB | 12 |
| 3.3 SMART and COMPACT control units | 14 |
| 3.4 Control keypads | 15 |
| 3.5 Lifting columns..... | 20 |
| 4. System configurations | 22 |
| 5. Installation..... | 24 |
| 5.1 Safety notices to observe during installation | 24 |
| 5.2 Installing the DD11 and DD21 lifting columns..... | 26 |
| 5.3 Installing the control keypads..... | 30 |
| 5.4 Installing the SMART/COMPACT control units | 35 |
| 5.5 Electrical connections for the SMART/COMPACT control units..... | 38 |
| 5.6 Mounting the sensor unit | 40 |
| 5.7 Mains power supply for the SMART/COMPACT control units..... | 44 |
| 6. Initial commissioning | 45 |
| 6.1 Reset during initial commissioning and after the removal of connecting cables..... | 45 |
| 7. Notes for operation..... | 46 |
| 7.1 General information | 46 |

| | | |
|------------|--|-----------|
| 8. | Operating the control keypads | 48 |
| 8.1 | Functions of the Motion Assist control keypad | 48 |
| 8.2 | Functions of the HSCO control keypad | 49 |
| 8.3 | Functions of the HSU Varioline control keypad..... | 50 |
| 8.4 | Functions of the HSU control keypad | 51 |
| 8.5 | Functions of the HSF control keypad | 53 |
| 8.6 | Functions of the Touch basic IL control keypad | 56 |
| 8.7 | Functions of the Touch basic DN control keypad | 57 |
| 9. | Troubleshooting | 58 |
| 9.1 | Malfunctions | 58 |
| 9.2 | Error messages on the control keypad's display | 59 |
| 9.3 | Error messages, as indicated by clicking tones from the control unit | 62 |
| 9.4 | Error messages displayed by the LEDs (COMPACT control unit)..... | 62 |
| 10. | Maintenance and cleaning | 63 |
| 10.1 | Maintenance..... | 63 |
| 10.2 | Cleaning | 63 |
| 11. | Technical specifications and product designation..... | 64 |
| 11.1 | Table | 64 |
| 11.2 | SMART and COMPACT control units | 65 |
| 11.3 | Size of SMART control unit | 66 |
| 11.4 | Size of COMPACT control unit..... | 67 |
| 11.5 | DD11 lifting column..... | 68 |
| 11.6 | Dimensions of DD11 lifting column..... | 69 |
| 11.7 | DD21 lifting column..... | 70 |
| 11.8 | Dimensions of DD21 lifting column..... | 71 |
| 11.9 | Product labelling | 72 |
| 12. | Disposal..... | 78 |
| 12.1 | Packaging material..... | 78 |
| 12.2 | Drive components | 78 |
| | Declaration of incorporation/installation | 79 |
| | EU Declaration of Conformity | 80 |

1. General Information

1.1 About these installation instructions

These installation instructions are not specific operating instructions for the end product. Rather, they describe the functions of the control keypads and the installation of the DD11/DD21 system components:

- DD11 lifting columns,
- DD21 lifting columns,
- C DD-A 1xCB* desk frame (two lifting columns, one cross bar)
- C DD-A 2xCB* desk frame (two lifting columns, two cross bars)
- C DD-B 1xCB* desk frame (three lifting columns,+ C DD-A Deskframe)
- Control keypads,
- SMART and COMPACT control units.

These instructions will help you to minimize danger, repair costs and down times. They will also help you to maximize the reliability and lifespan of the end product.

NOTICE

The instructions for installing the DD11/DD21 system should also be followed.



CAUTION

The notices in these instructions must be followed! Following the guidelines during installation and connection procedures will help to minimize:

- the risk of accident and injury, and
- damage to the drive system or the end product.

These installation instructions have been written with due care and attention. However, we cannot guarantee that the data, images and drawings are complete and correct nor do we accept any liability for the information contained therein, unless required by law.

- ▶ We reserve the right to make unannounced technical changes in the course of our continual product improvement process!

Availability of this document

As manufacturer of the end product, you are obligated to comply with Machinery Directive 2006/42/EC. This directive stipulates that the installation instructions must be kept on file for governmental inspection purposes.

Keep these instructions in a safe place!

Application

These testing principles apply towards the testing and certification of sitting/standing desks used for office, meeting, conference and training rooms. The work tables can be adjusted and used for both sitting and standing work conditions.

* Cross bar

1.2 Safety notices within the installation instruction and the operating instructions for the entire machine

The manufacturer of the complete machine (the end product) is only permitted to operate the DD11/DD21 lifting columns (by itself an incomplete machine)

- when the end product (for which the DD11/DD21 lifting columns are intended) is in compliance with all protective measures specified in the Machinery Directive 2006/42/EC, and
- when the manufacturer expressly declares the compliance of the end product.


The manufacturer of the end product must create a manual for the users of that product. The safety notices in the end-product manual must be written based on the end product's risk assessment.

1.3 Conventions used

Notices which do not relate to safety are indicated in these instructions with a symbol:

- ▶ Triangular notice symbol

Explanations of warning notices

| |
|--|
|  CAUTION |
| CAUTION indicates a hazardous situation which, if not avoided, could result in minor or moderate injury. |

| |
|---|
| NOTICE |
| NOTICE is used to address practices which are not related to personal injury but may result in damage to the product or surroundings. |

2. Safety notices

2.1 Proper and intended usage

The DD11/DD21 system is intended:

- for adjusting the height of tables in conjunction with the SMART/COMPACT control units and the DD11/DD21 lifting columns from DewertOkin.

It may only be used for applications where unintended motion cannot lead to damage.

It may only be used in dry rooms.

DESKFRAME C DD-A 1xCB / DESKFRAME C DD-A 2xCB / DESKFRAME C DD-B 1xCB:

This height-adjustable table (without tabletop*) for office work:

- is designed for working while sitting,
- sitting and standing or
- only standing
- when a tabletop is already present.* (DD11 system, type D, EN527-1
DD21 system, type A, EN527-1)



CAUTION

Risk of accident

The DD11/DD21 system should only be used for the purposes described above. Any other use is forbidden. Improper usage can lead to accidents or destruction of the unit. Such non-approved applications will lead immediately to the expiration of all guarantee and warranty claims on the part of the end-product manufacturer against the manufacturer.

Improper usage

Be sure to follow the notices below concerning improper usage. You should include them in your product manual in order to inform the users of your end product.

The DD11/DD21 system should not be used:

- with a medical product, or installed in a medical product,
- as a power source for toys or games,
- for raising and lowering loads in industrial or technical applications.
- in a moist environment, or
- outdoors,
- for industrial applications.

The DD11/DD21 system can be used by children of 8 years and older, persons with reduced physical, sensory or mental capabilities, or persons with lack of experience or knowledge when they are supervised or instructed concerning the safe use of the device and when they understand the resulting risks. Do not allow children to play with this device. The cleaning and user maintenance must not be carried out by children without supervision.

* The tabletop will be provided and installed by the manufacturer of the end product.

- ▶ You should only use spare parts which have been manufactured or approved by DewertOkin. Only these parts will guarantee a sufficient level of safety.

**CAUTION****Danger of pinching/crushing injuries!**

There is a danger of being crushed when the table position is changed. This is particularly true when there is no protective mechanism guarding against crushing injuries. However, crushing injuries may even occur in exceptional cases when a safety guard is installed. Make sure that there are no persons within the danger zone and that nobody reaches into the danger zone. This also applies in the following situations:

- In the event of a malfunction, the table may move a bit during an adjustment before the safety shutdown mechanism triggers. This could result in a crushing injury.
- The impact protection mechanism is not active during resets and end-position queries. This could result in a crushing injury.

2.2 Selection and qualification of personnel

The installation of the drive in the end product may only be performed by qualified personnel. You should only install this drive when you are qualified to do so. Otherwise, a properly qualified person should be found for this task.

3. System component description

The DD11/DD21 system uses lifting columns to adjust the height of tables. A table-mounted control keypad and the SMART/COMPACT control units can be used for the adjustments.

The DD11/DD21 system variants differ by:

- the type of control keypads,
- the number of lifting columns that can be connected,
- the design of the lifting columns that can be connected,
DD11: single telescopic
DD21: double telescopic
- the type and number of control units connected.

3.1 Complete installed system

DESKFRAME C DD-A 1xCB / DESKFRAME C DD-A 2xCB

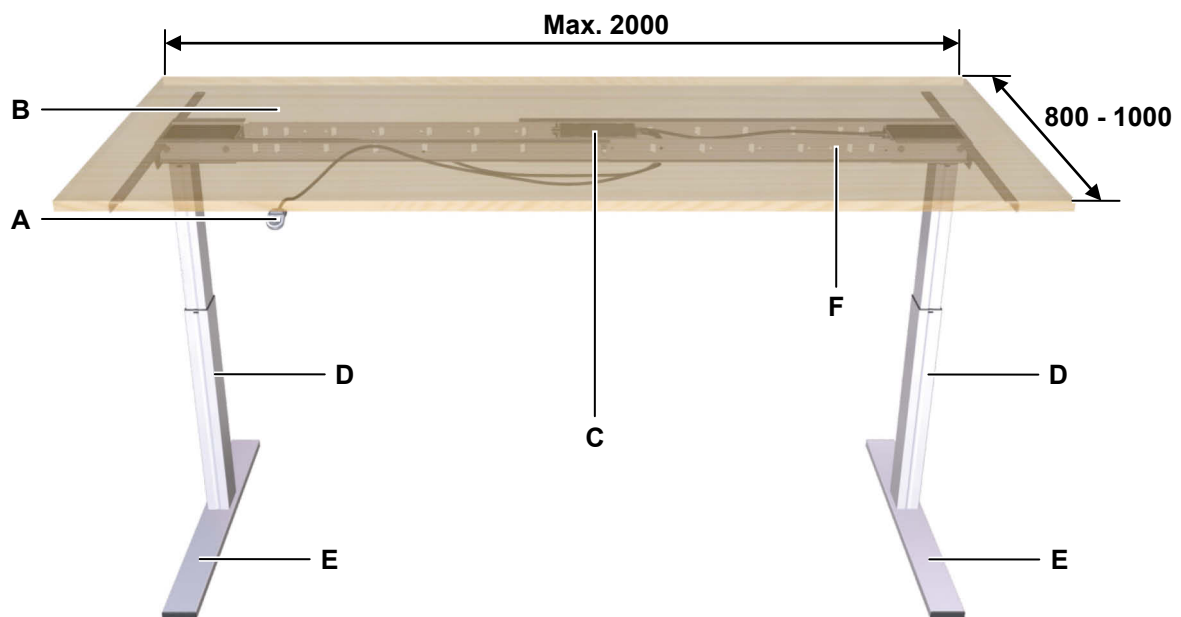


Figure 1 Example: DD11 system with two DD11 lifting columns

- | | |
|---|--|
| A Control keypad | B Tabletop |
| C SMART or COMPACT control units | D DD11 lifting column (single telescopic) |
| E Table base | F 2xCB (cross bars) |

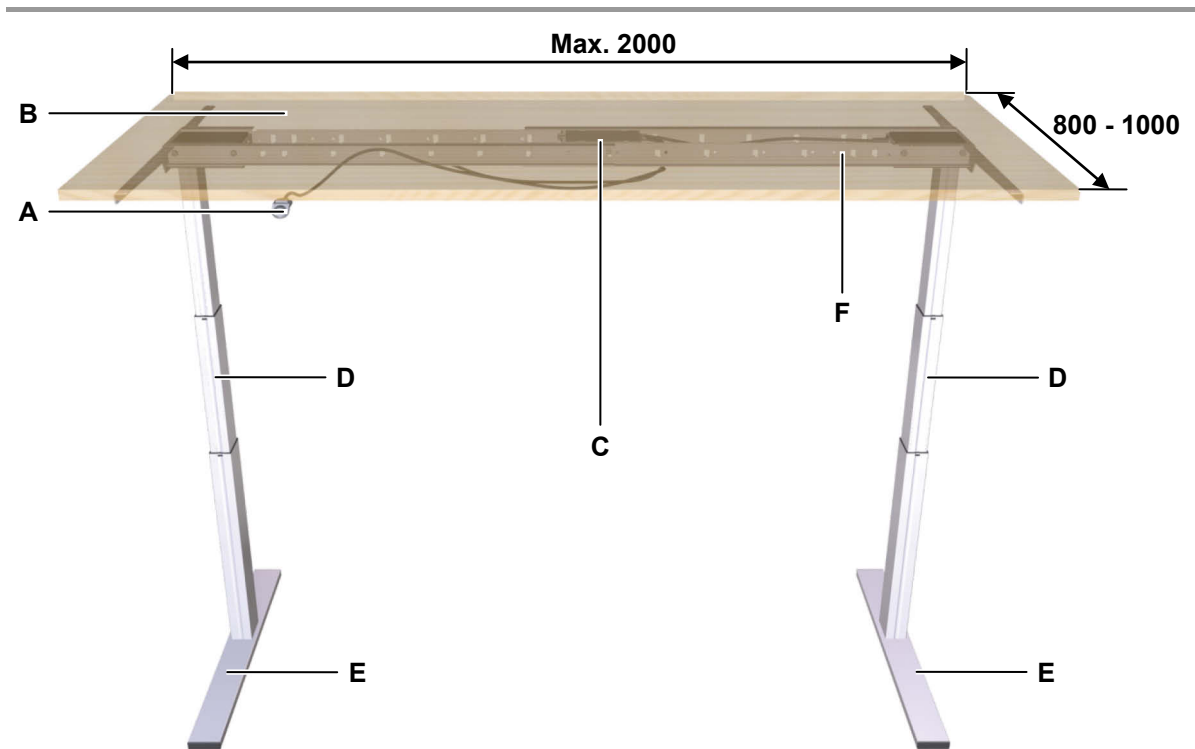


Figure 2 Example: DD21 system with two DD21 lifting columns

| | |
|---|--|
| A Control keypad | B Tabletop |
| C SMART or COMPACT control units | D DD21 lifting column (double telescopic) |
| E Table base | F 2xCB (cross bars) |

3.1.1 Dimensions

Specifications for the installed system:

- Max. lengthwise extension: 1200 – 2000 mm
- Max. transverse extension: 800 – 1000 mm
- The max. permissible tabletop size is 2000 x 1000 mm.
- Max. load for the frame: 100 kg (including tabletop)
- Lifespan: max. 10,000 cycles (with load)

3.2 Mounted complete system DESKFRAME C DD-B 1xCB

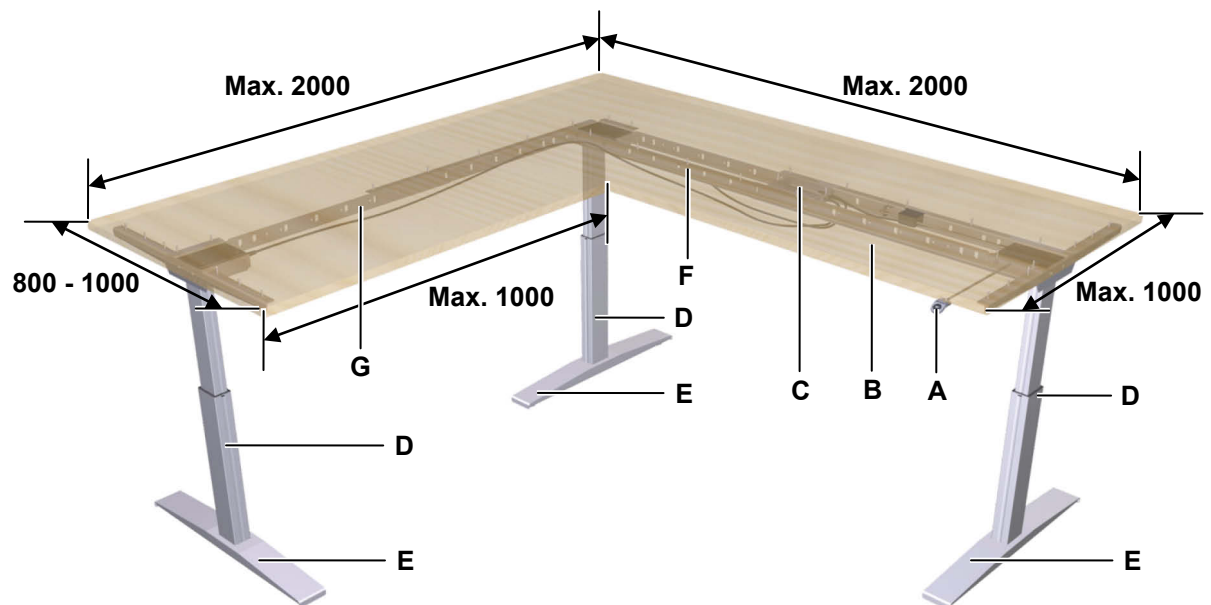


Figure 3 Example: DD11 system with three DD11 lifting columns

- | | |
|-------------------------------|--|
| A Control keypad | B Tabletop |
| C COMPACT control unit | D DD11 lifting column (single telescopic) |
| E Table base | F 2xCB (cross bars) |
| G 1xCB (cross bar) | |

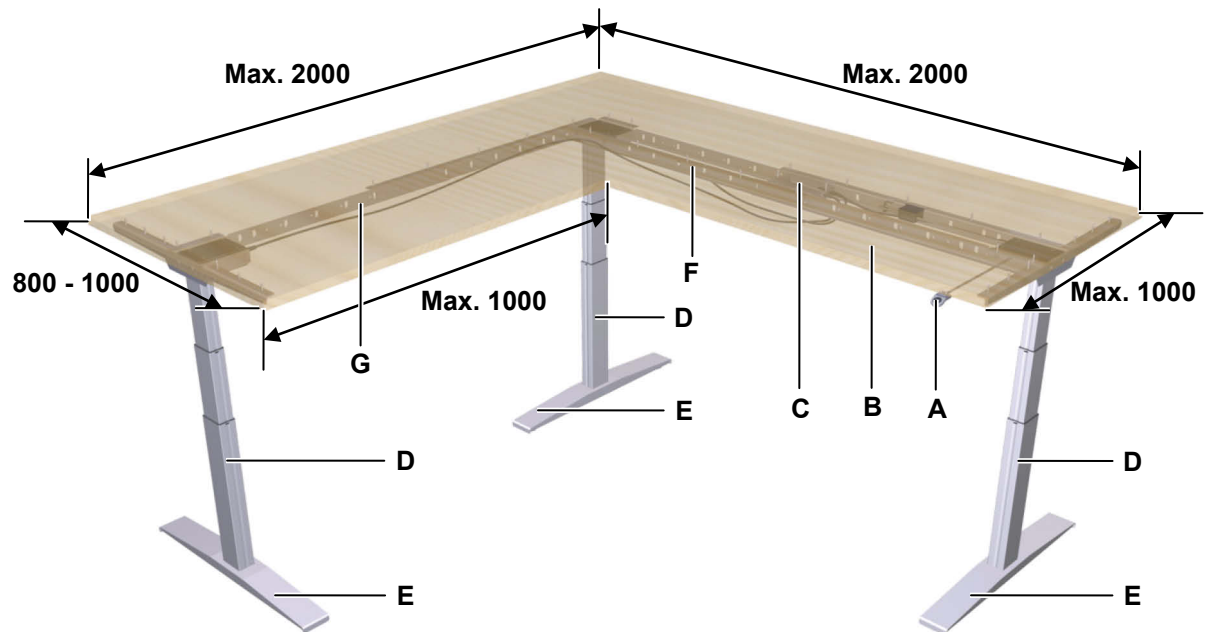


Figure 4 Example: DD21 system with three DD21 lifting columns

- | | |
|-------------------------------|--|
| A Control keypad | B Tabletop |
| C COMPACT control unit | D DD21 lifting column (double telescopic) |
| E Table base | F 2xCB (cross bars) |
| G 1xCB (cross bar) | |

3.2.1 Dimensions

Specifications for the installed system:

- Max. lengthwise extension: 1200 – 2000 mm
- Max. transverse extension: 800 – 1000 mm
- The max. permissible tabletop size is (1000-2000) x (800-1000) x (1600-2000) mm.
- Max. load for the frame: 120 kg (including tabletop)
- Lifespan: max. 10,000 cycles (with load)

3.3 SMART and COMPACT control units

The SMART and COMPACT control units have an enclosure with connections for the power supply, lifting columns, and for the control keypad.

3.3.1 SMART control unit

The SMART control unit is used for adjusting one or two lifting columns.

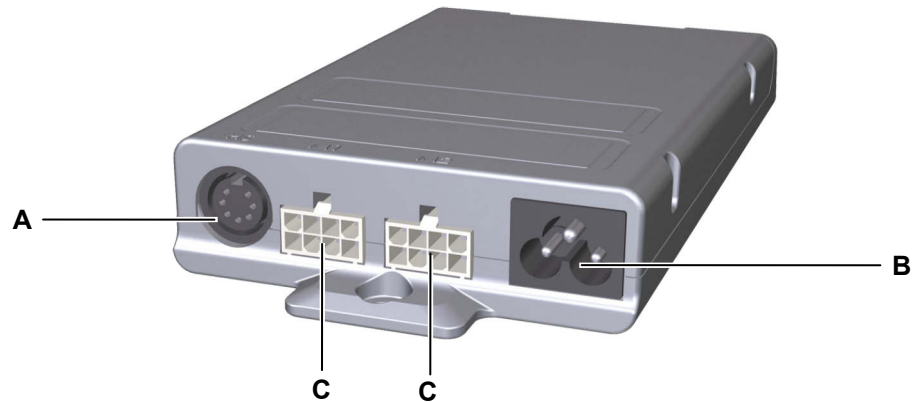


Figure 5 SMART control unit

A Connection for the control keypad

B Mains power supply connection

C Connection for the lifting columns

3.3.2 COMPACT control unit

The COMPACT control unit is used for adjusting one, two or three lifting columns.

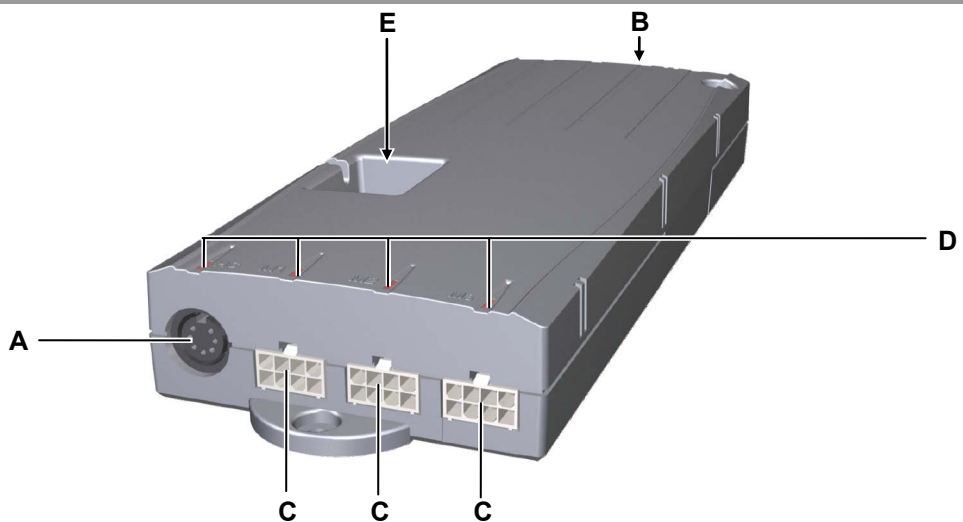


Figure 6 COMPACT control unit

A Connection for the control keypad

B Mains power supply connection

C Connection for the lifting columns

D Status LEDs

E Sensor connection / cascade connection

3.4 Control keypads

The control keypads are used to adjust the table height, to save positions (optional), and to adjust motor group 2. The table positions and optional saved (programmed) positions can be moved to directly.

3.4.1 Motion Assist control keypad

The Motion Assist control keypad has two keys for the up and down adjustments.

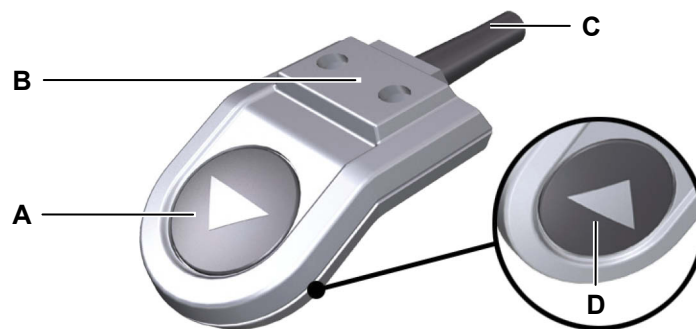


Figure 7 Motion Assist control keypad

- | | |
|---------------------------------|-------------------------------|
| A ▼ key (adjusting down) | B Mounting surface |
| C Connection cable | D ▲ key (adjusting up) |

3.4.2 HSCO control keypad

The HSCO control keypad has two keys for the up and down adjustments.

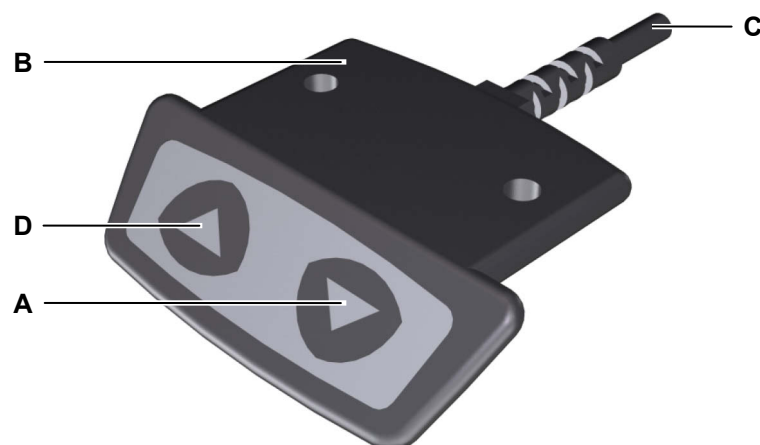


Figure 8 HSCO control keypad

- | | |
|---------------------------------|-------------------------------|
| A ▼ key (adjusting down) | B Mounting surface |
| C Connection cable | D ▲ key (adjusting up) |

3.4.3 HSU Varioline control keypad

The HSU Varioline control keypad has two keys for the up and down adjustments.

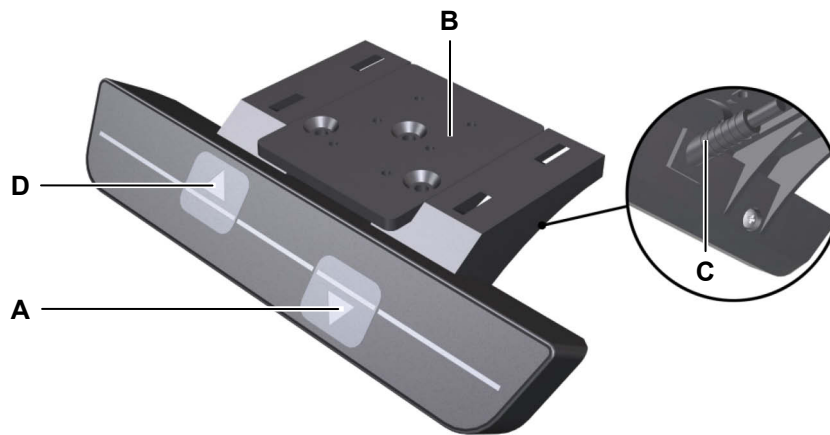




Figure 9 HSU Varioline control keypad

A  key (adjusting down)

B Mounting surface

C  connection cable

D  key (adjusting up)

3.4.4 HSU control keypad

The HSU control keypad has two keys for the up/down adjustment movements, four memory keys, a save key and a display.

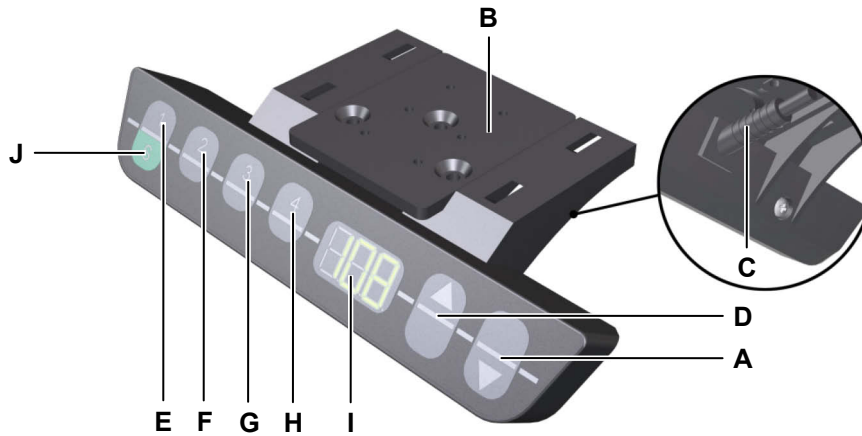






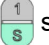


Figure 10 HSU control keypad

- | | |
|---|---|
| A  key (adjusting down) | B Mounting surface |
| C Connection cable | D  key (adjusting up) |
| E  memory key 1 | F  memory key 2 |
| G  memory key 3 | H  memory key 4 |
| I Display | J  save key |

3.4.5 HSF control keypad

The HSF control keypad has two keys for the up/down adjustment movements, four memory keys, two keys for motor group 2, a save key and a display.

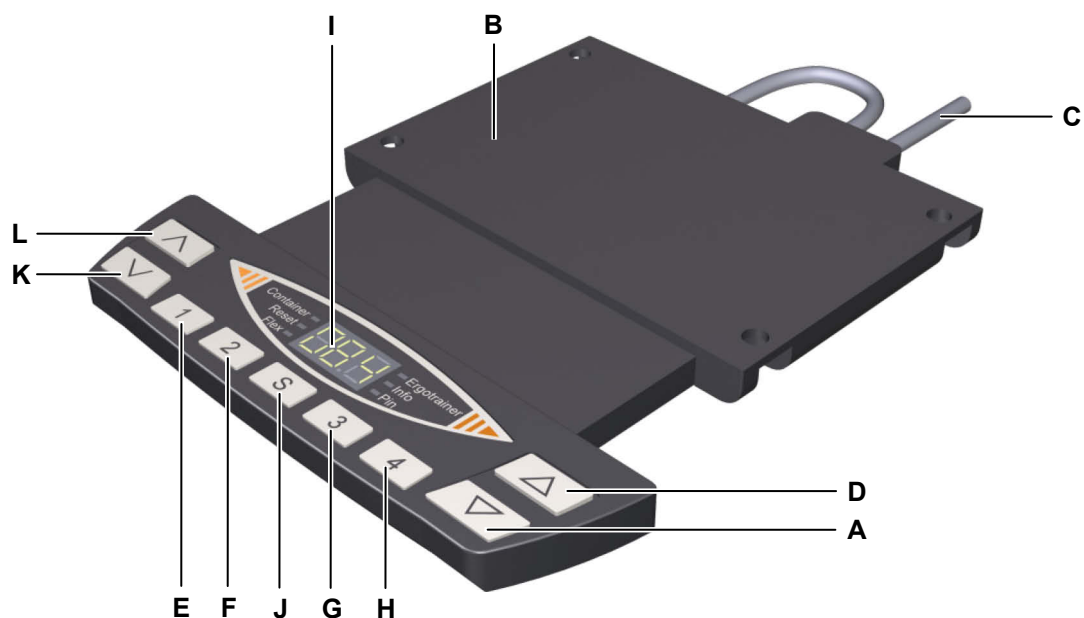










Figure 11 HSF control keypad

- | | | | |
|----------|--|----------|--|
| A |  key (adjusting down) | B | Mounting surface |
| C | Connection cable | D |  key (adjusting up) |
| E |  memory key 1 | F |  memory key 2 |
| G |  memory key 3 | H |  memory key 4 |
| I | Display | J |  save key |
| K |  motor group 2 Adjusting downwards | L |  motor group 2 Adjusting upwards |

3.4.6 Touch basic IL control keypad

The Touch basic IL control keypad has two keys for the up and down adjustments.



Figure 12 Touch basic IL control keypad

A  key (adjusting down) **D**  key (adjusting up)

3.4.7 Touch basic DN control keypad

The Touch basic DN control keypad has two keys for the up and down adjustments.

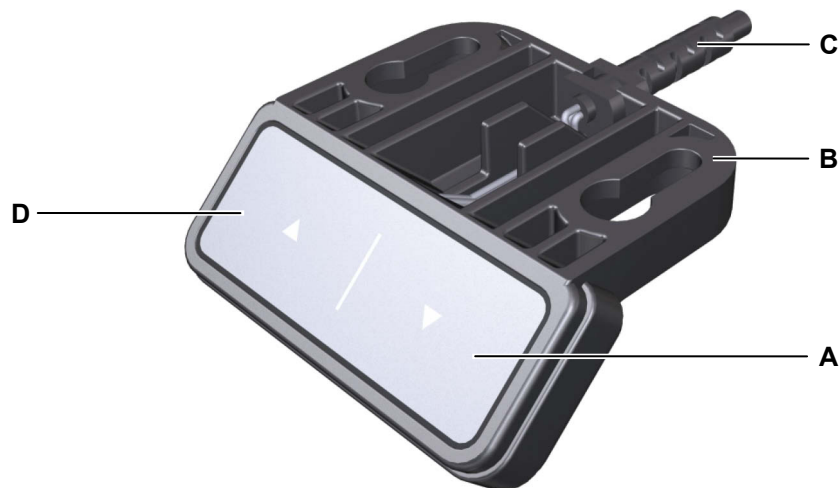


Figure 13 Touch basic DN control keypad

A  key (adjusting down) **B** Mounting surface
C Connection cable **D**  key (adjusting up)

3.5 Lifting columns

The main components of the DD11/DD21 lifting columns are the electric motor, the telescopic columns for adjustments, the outer support column, and the connecting cable. The end product will be attached to the motor housing of the lifting column. The foot base is attached to the foot end of the lifting column. Positional sensors are built in to allow for synchronized adjustments with multiple columns.

3.5.1 DD11 lifting column (single telescopic)

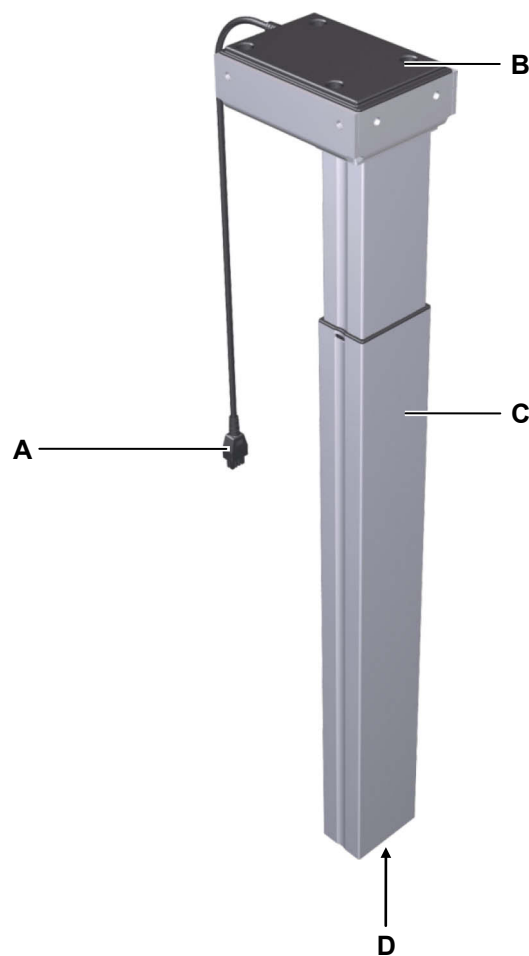


Figure 14 Major components of the DD11 lifting column

- | | |
|---|-------------------------------------|
| A Connection cable | B Head of the lifting column |
| C Outer column with one internal telescopic column | D Foot of the lifting column |

3.5.2 DD21 lifting column (double telescopic)

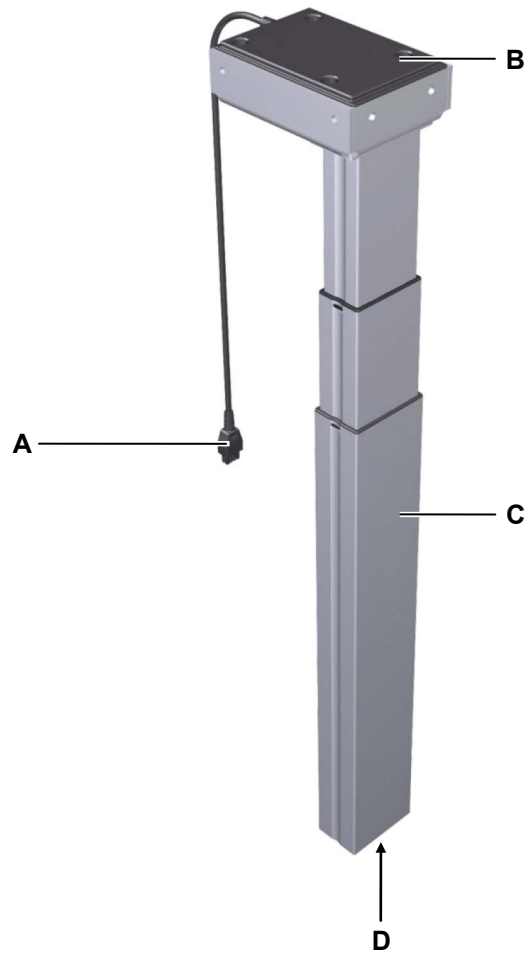


Figure 15 Major components of the DD21 lifting column

- | | |
|--|-------------------------------------|
| A Connection cable | B Head of the lifting column |
| C Outer column with two internal telescopic columns | D Foot of the lifting column |

4. System configurations

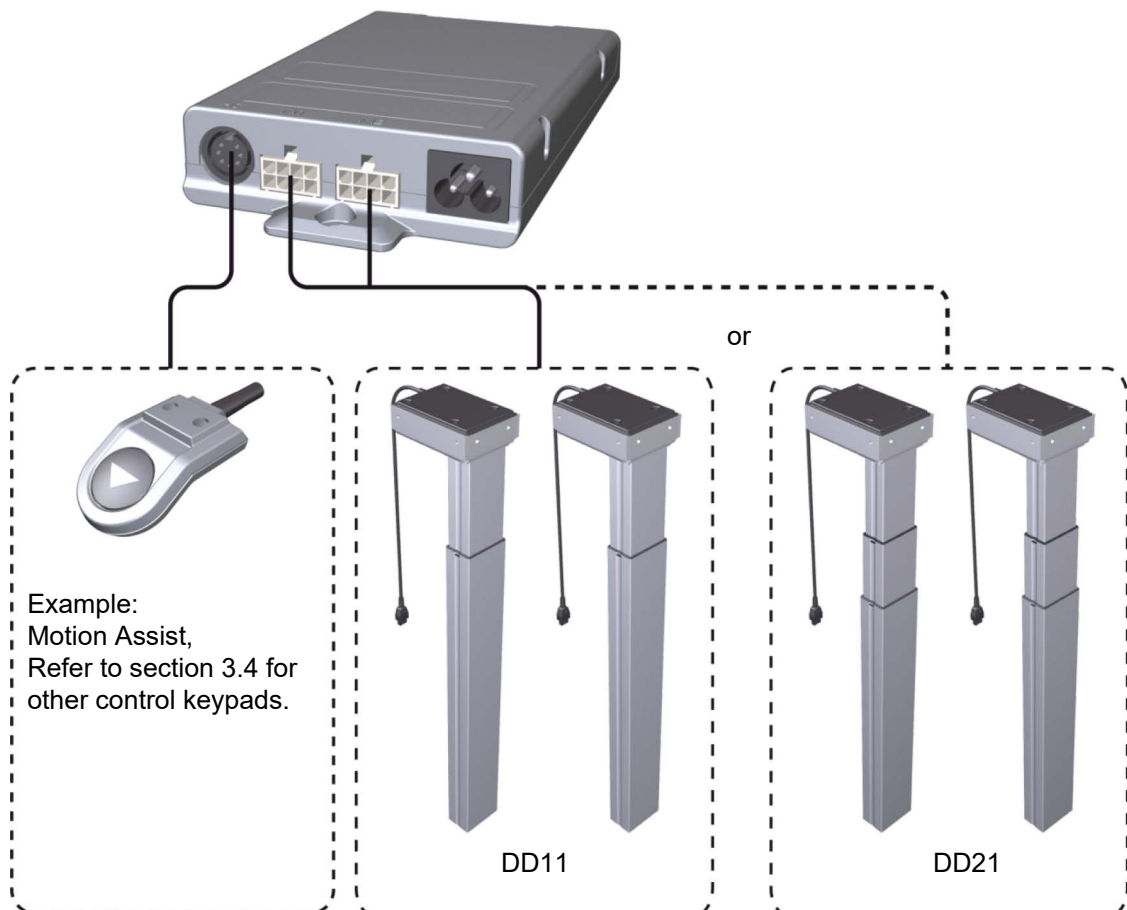
Depending on the particular configuration, the DD11/DD21 system can be combined with up to three lifting columns. The configurations with two and three lifting columns are described below:

Configuration 1:

SMART control unit with one or two DD11/DD21 lifting columns and a control keypad

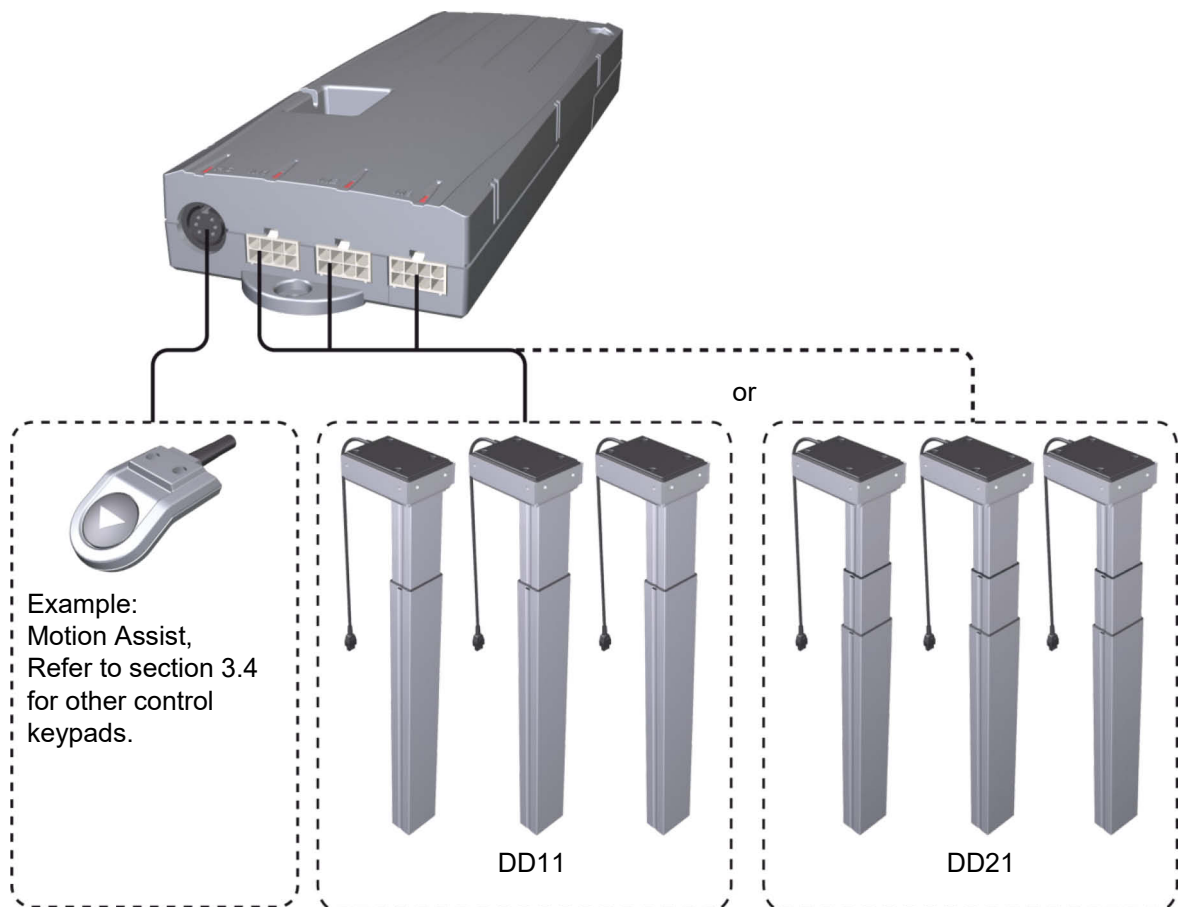
Installation steps:

- Install the lifting columns (see section 5.2, page 26)
- Install the control keypads (see section 5.3, page 30)
- Install the SMART control unit (see section 5.4.1, page **Fehler! Textmarke nicht definiert.**)
- Connect the control keypad and the lifting columns to the control unit (see section 5.5.1, page 38)
- Connect the power supply cable (see section 5.5.1, page 38)



Configuration 2:**SMART control unit with one, two or three DD11/DD21 lifting columns and a control keypad****Installation steps:**

- Install the lifting columns (see section 5.2, page 26)
- Install the control keypads (see section 5.3, page 30)
- Install the COMPACT control unit (see section 5.4.2, page **Fehler! Textmarke nicht definiert.**)
- Connect the control keypad and the lifting columns to the control unit (see section 5.5.2, page 39)
- Connect the power supply cable (see section 5.5.2, page 39)



5. Installation

5.1 Safety notices to observe during installation

Basic safety rules must be followed in order to ensure that the end product can be continually operated in a safe manner. These rules must be observed while using the end product and while installing the SMART/COMPACT control unit, the control keypad, the DD11/DD21 lifting columns, and the slave drive in the end product.

Avoiding electrical faults

Be sure to consider the length of the power cord when designing the dimensions for your end product in order to minimize the associated risks.

Routing the electrical cables

When routing the cables, be sure that:

- the cables cannot get jammed,
- no mechanical load (such as pulling, pushing or bending) will be put on the cables, and
- the cables cannot be damaged in any way.

Fasten all cables using sufficient strain relief and kink prevention methods.

5.1.1 Reliability

The safety and reliability of the end product containing DewertOkin components can be ensured by using the proper construction methods as described below.

Overheating

A thermal monitor switches the SMART/COMPACT control unit off if it overheats.



CAUTION

The SMART/COMPACT control unit is equipped with a thermal monitor (circuit breaker) that triggers when the unit overheats. If the temperature control has triggered, remove the control unit from the power supply, allow it to rest for 20 to 30 minutes and try again. If the control unit still does not function, please contact your supplier or sales agent.

Avoiding fatigue fractures

- Install the lifting column in the end product so that it is properly aligned. This will help prevent shear stress.
- Do not position the lifting column at a slanted angle when installing it in the end product. A slanted angle between the intended direction of movement of the end product and the lifting column's direction will create shear stress and could lead to a fatigue fracture.

Avoiding a pinching hazard

When designing your product, you should take the lifting column's adjustment movement into account with passive safety mechanisms and with the appropriate safety notices in your operating instructions.

- Installation methods for ensuring passive safety: Install the lifting columns so that none of the positions where shear and pinch hazards exist are accessible externally.
- ▶ Make sure that your operating instructions inform the user of these safety points.
- ▶ Structural modifications and improper installation which do not follow the installation steps or the safety instructions found in these installation instructions may result in serious injuries to users (e.g. crushing injuries). Structural modifications may only be made after consulting with DewertOkin and receiving our consent. Follow all instructions from DewertOkin, especially those found in these installation instructions.

NOTICE

Compliance with the intended usage and other regulations

Any further processing of the products that contradicts the proper and intended usage is forbidden.

The manufacturer or installer of the end product must ensure that all legal and regulatory requirements regarding the end product's manufacture, installation and customer support are followed.

5.1.2 Selecting the tabletop

The DIN Technical Report 147 describes the following information:

- Corner and edge design
- Exterior surfaces
- Surface brightness
- Surface finish
- Min. 3 mm edge radius
- etc.

This information shall be considered binding when selecting the tabletop.

5.1.3 Ergonomics

The operating instructions that you are creating for the end product must provide instructions for an ergonomically correct installation where the control keypads are easily accessible and the table is freely accessible.

5.1.4 Use of the system by the end customer

The operating instructions for the end customer must refer to standards regarding:

- Standards for usage, arrangement of equipment in the working area, the planned activities and the working postures and positions
- Standards for describing the adjustment mechanisms with instructions for ergonomic adjustments

Please refer to the guidelines for the design of screens and office workstations from the German Trade Association for Printing and Paper Processing (BGI 650).

5.2 Installing the DD11 and DD21 lifting columns

Before installing and connecting the DD11/DD21 lifting columns, make sure that you are observing all of the safety notices found in the "Safety notices to observe during installation" section.

5.2.1 Installing the table base

- Use M6 bolts (with strength grade 8.8), as shown in Figure16. The tightening torque must not exceed 10 Nm.

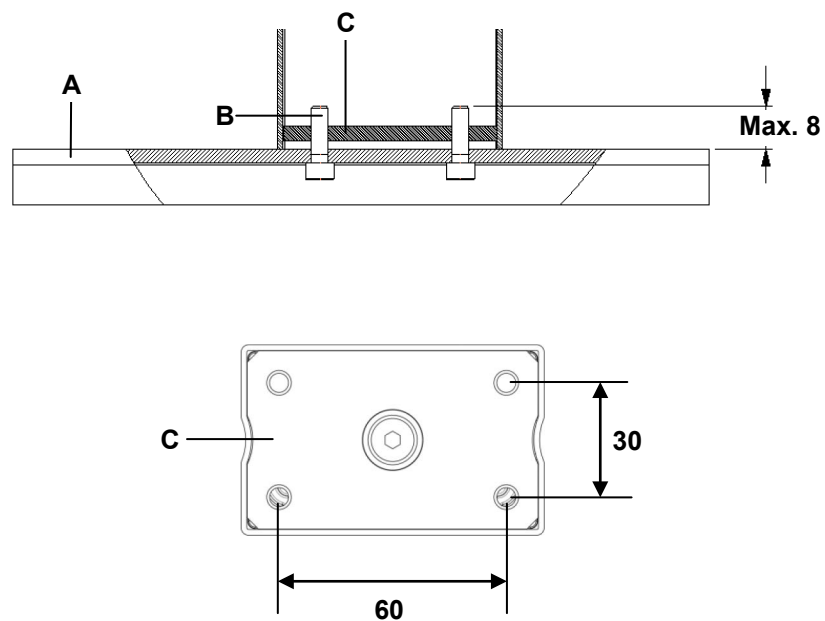


Figure16 Mounting the table base (dimensions in mm)

A Base plate

B M6 bolts (8.8)

C Foot of the lifting column

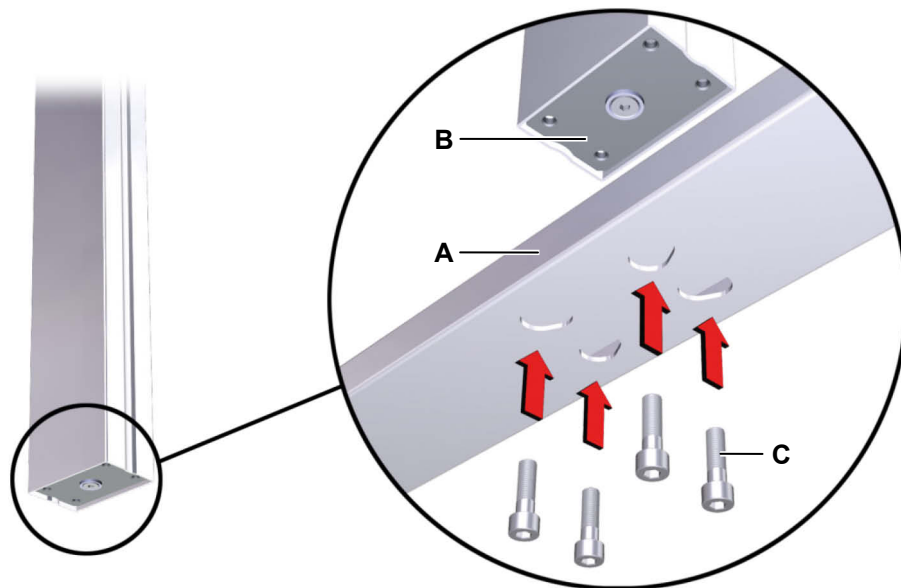


Figure 17 Mounting the table base:

A Base plate

B Foot of the lifting column

C M6 bolts (8.8)

- 1 Use four screws to attach the table base to the foot end of the DD11/DD21 lifting columns, as shown in Figure 17 (maximum tightening torque is 10 Nm). The mounting dimensions are shown in Figure 16.
- 2 Repeat step 1 with all other lifting columns.

5.2.2 Mounting the table frame

- Use M8 bolts (with strength grade 8.8), as shown in Figure 18. The tightening torque must not exceed 20 Nm.

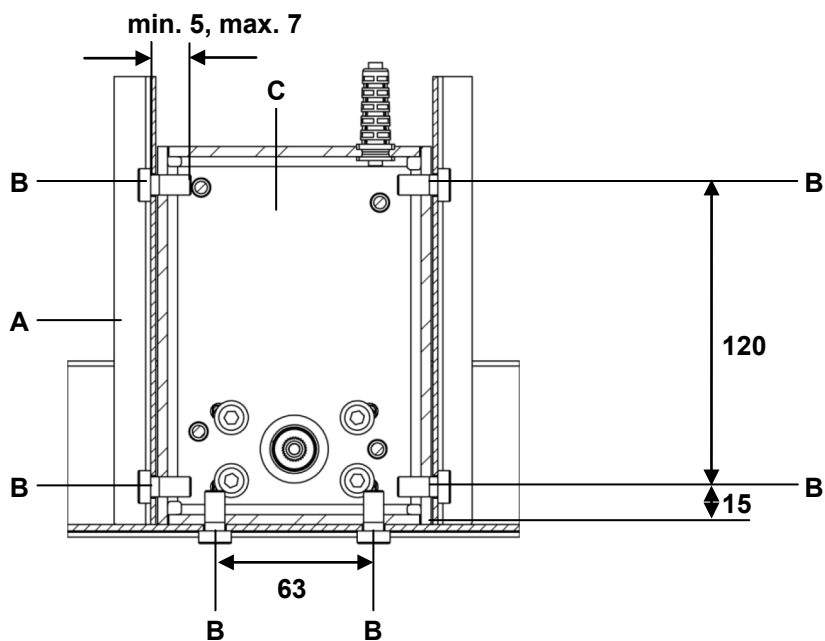


Figure 18 Mounting the table frame (dimensions in mm)

A Table frame

B M8 bolts (8.8)

C Motor housing of the lifting column

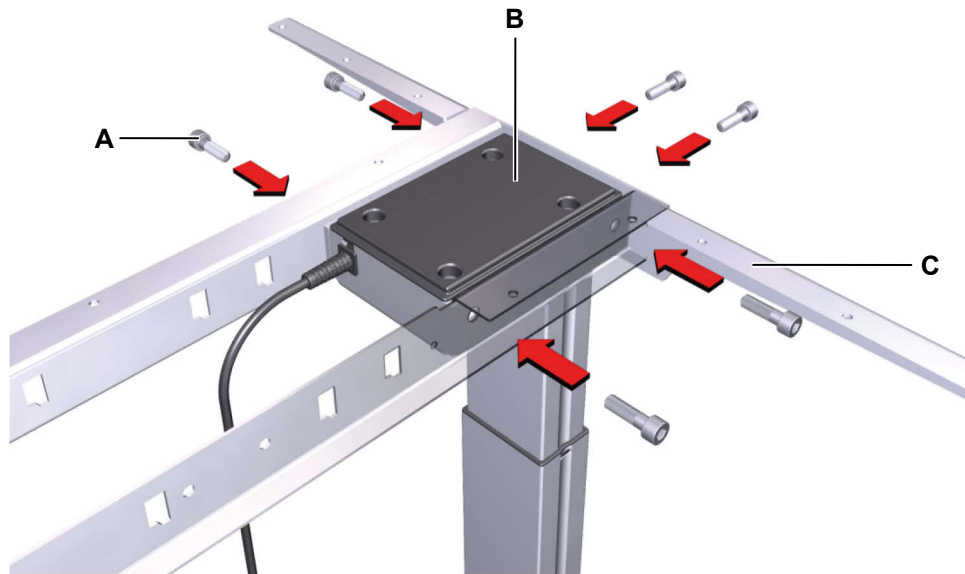


Figure 19 Mounting the table frame

A M8 bolts (8.8)

B Motor housing of the lifting column

C End product (e.g. a table frame)

- 1 Set the table frame so that the holes are over the lifting column. Use six screws to attach the table frame to the motor housing of the DD11/DD21 lifting columns, as shown in Figure 19 (maximum tightening torque is 20 Nm). The mounting dimensions are shown in Figure 18.
- 2 Screw the other lifting columns to the table frame similarly.

5.2.3 Dismantling the lifting column

CAUTION

Work on electrical components should be conducted only when the mains power connection for the control unit is unplugged.

- 1 Move the table to the starting position, so that the lifting columns are fully retracted.
- 2 Pull out the control unit's mains power plug!
- 3 Remove all of the lifting columns' cables from the sockets of the control unit.
- 4 You can now unscrew all lifting columns from the table frame.

5.3 Installing the control keypads

NOTICE

- The control keypad must be installed in an ergonomically correct position so that the user can reach it easily.
- When installing the control keypad, take into account the thickness of the tabletop.

5.3.1 Motion Assist control keypad

Two screws are used to attach the Motion Assist control keypad to the underside of the table (at the table's front edge), as shown in Figure 21.

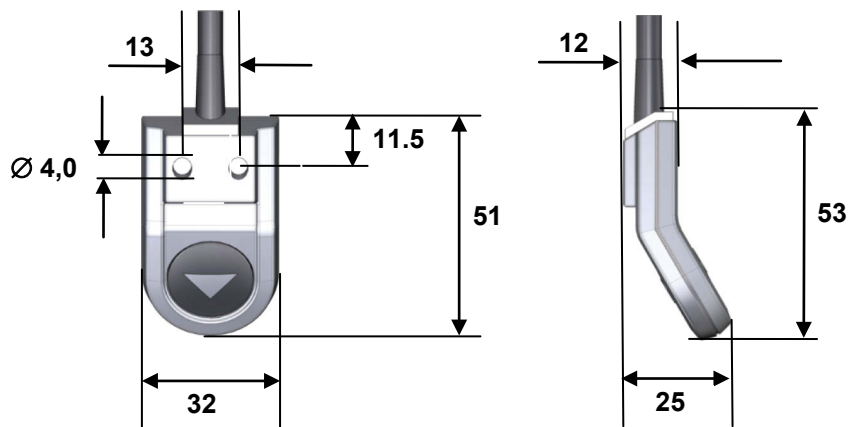


Figure 20 Motion Assist control keypad, installation dimensions (in mm)

5.3.2 Installing the control keypad to the tabletop

- Example: Use screws (B in Figure 21) which meet the requirements of DIN 7981 with \varnothing 3.9 mm and of suitable length (10 mm plus the screw-in depth into the table), screw head: \varnothing 7.5 mm.

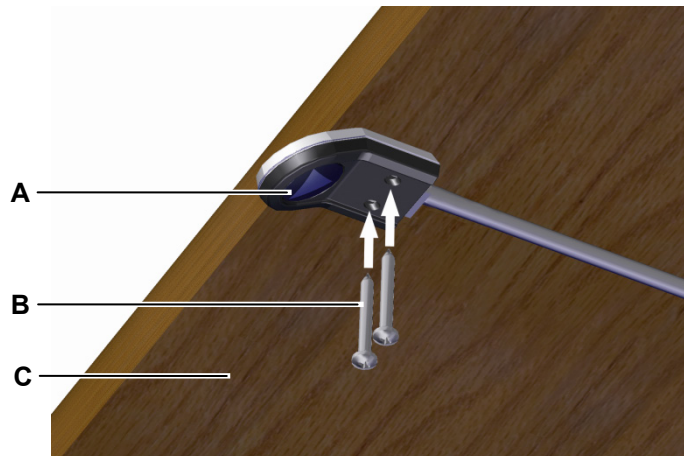


Figure 21 Example: Mounting the Motion Assist control keypad

A Motion Assist control keypad

B Screws

C Tabletop

5.3.3 HSCO control keypad

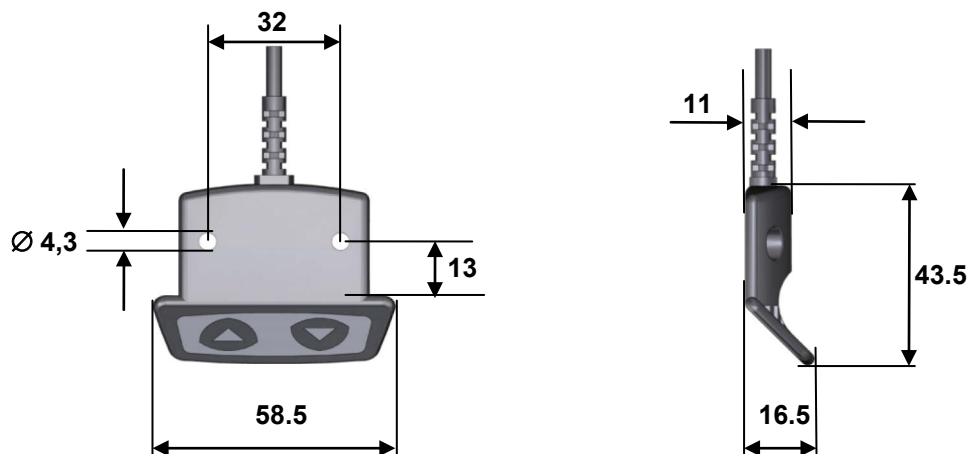


Figure 22 HSCO control keypad, installation dimensions (in mm)

5.3.4 HSU Varioline control keypad

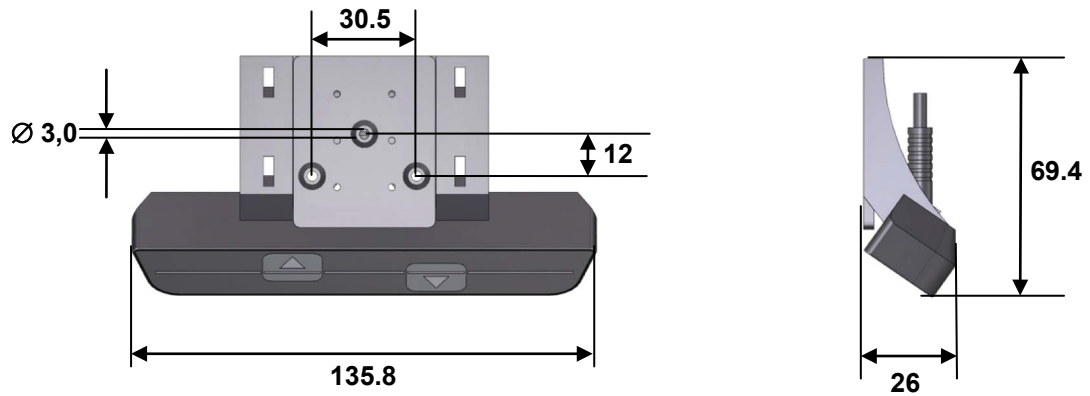


Figure 23 HSU Varioline control keypad, installation dimensions (in mm)

5.3.5 HSU control keypad

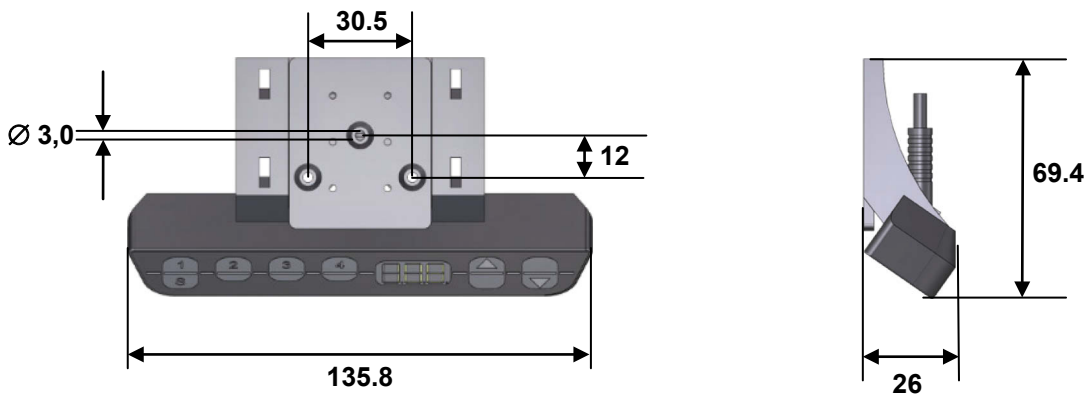


Figure 24 HSU control keypad, installation dimensions (in mm)

5.3.6 HSF control keypad

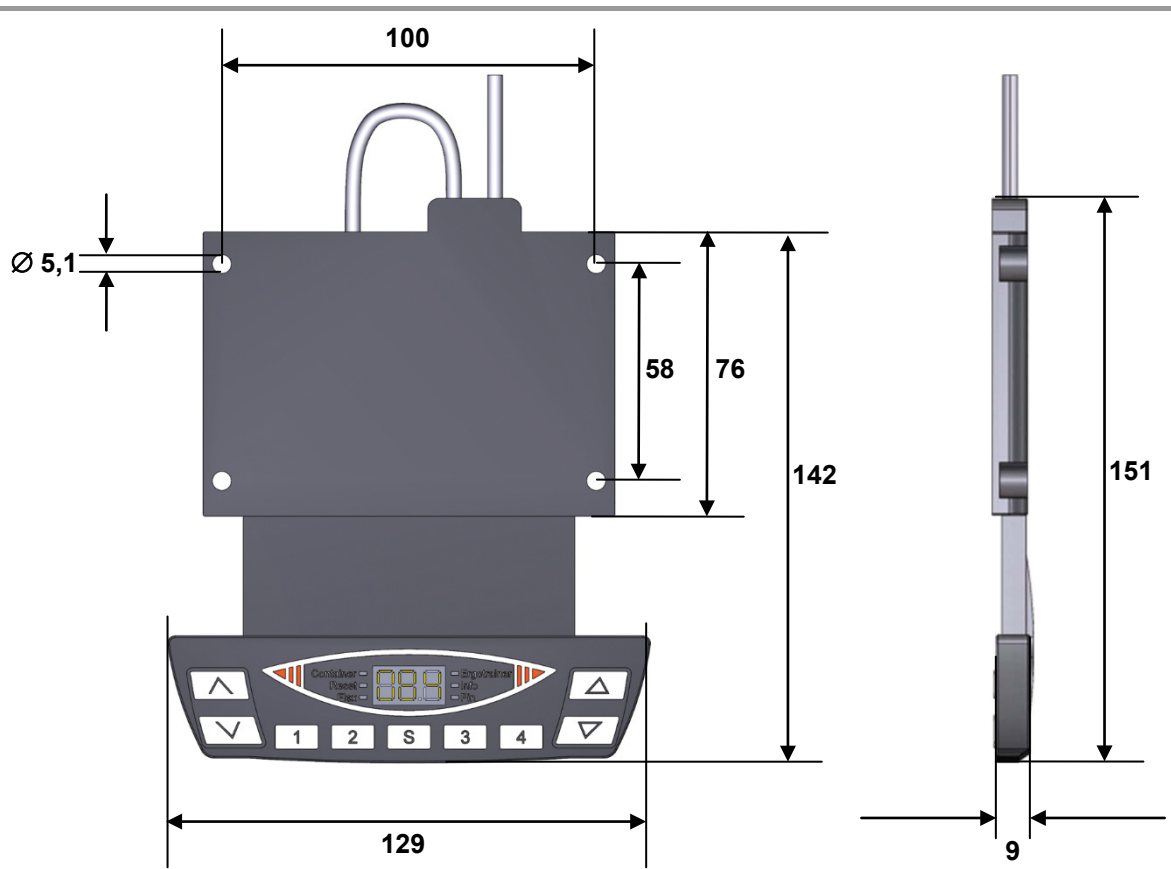


Figure 25 HSF control keypad, installation dimensions (in mm)

5.3.7 Touch basic IL control keypad

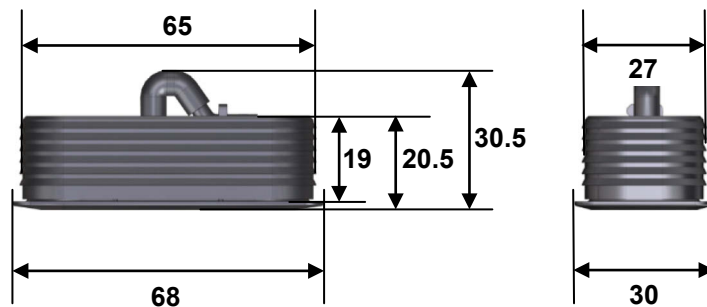


Figure 26 Touch basic IL control keypad, installation dimensions (in mm)

5.3.8 Touch basic DN control keypad

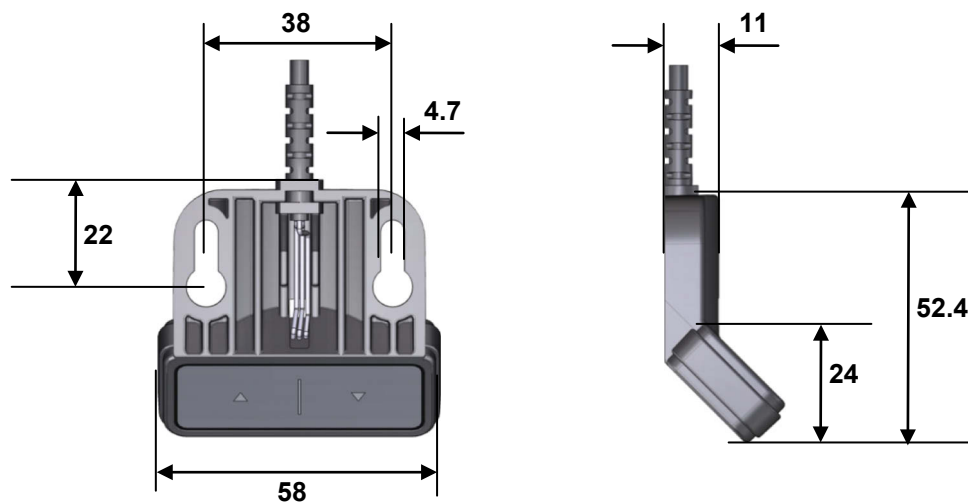


Figure 27 Touch basic DN control keypad, installation dimensions (in mm)

5.4 Installing the SMART/COMPACT control units

NOTICE

When installing the control unit, take into account the thickness of the tabletop.

- ▶ Mount the control unit under the centre of the table. The best installation position is between the table frames. Be sure to note the length of the connecting cables during the installation.
- ▶ Use 4.8xL raised-head screws (according to requirements of DIN 7981) with a 9.5 mm head diameter and of suitable length (2 mm + screw-in depth into the table). Tighten the screw using a **maximum** torque of 2 Nm.

**CAUTION**

You should only install and uninstall the control unit when it is completely disconnected from any live current!

Mount the control unit as shown in Figure 29 (for the SMART) or Figure 31 (for the COMPACT):

- 1 Mark the drill holes. The positions of the holes are shown in Figure 28 (SMART) or Figure 30 (COMPACT).
- 2 Use a suitable drill to drill the two holes.
- 3 Screw the control unit onto the tabletop.
- 4 Route all connecting cables under the tabletop so that they cannot be pinched during the table's lifting movements.

5.4.1 SMART control unit

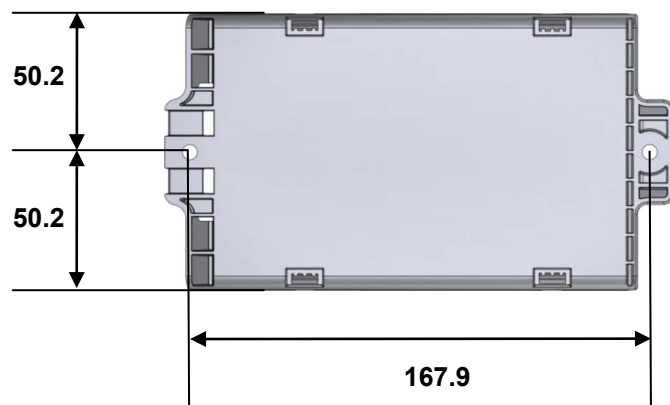


Figure 28 Mounting dimensions: SMART control unit (in mm)

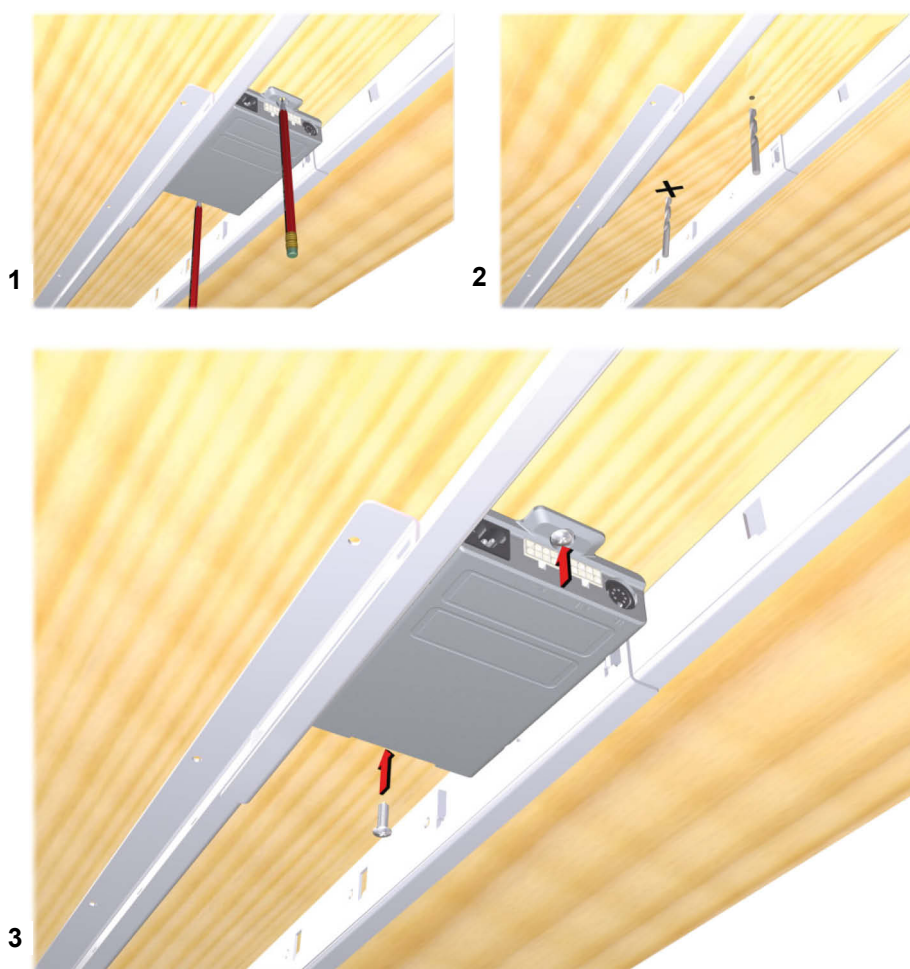


Figure 29 Mounting the SMART control unit

5.4.2 COMPACT control unit

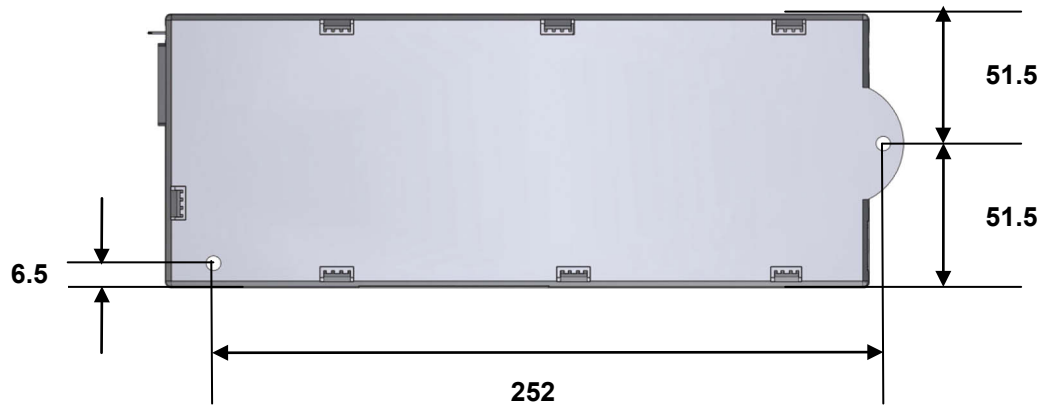


Figure 30 Mounting dimensions: COMPACT control unit (in mm)

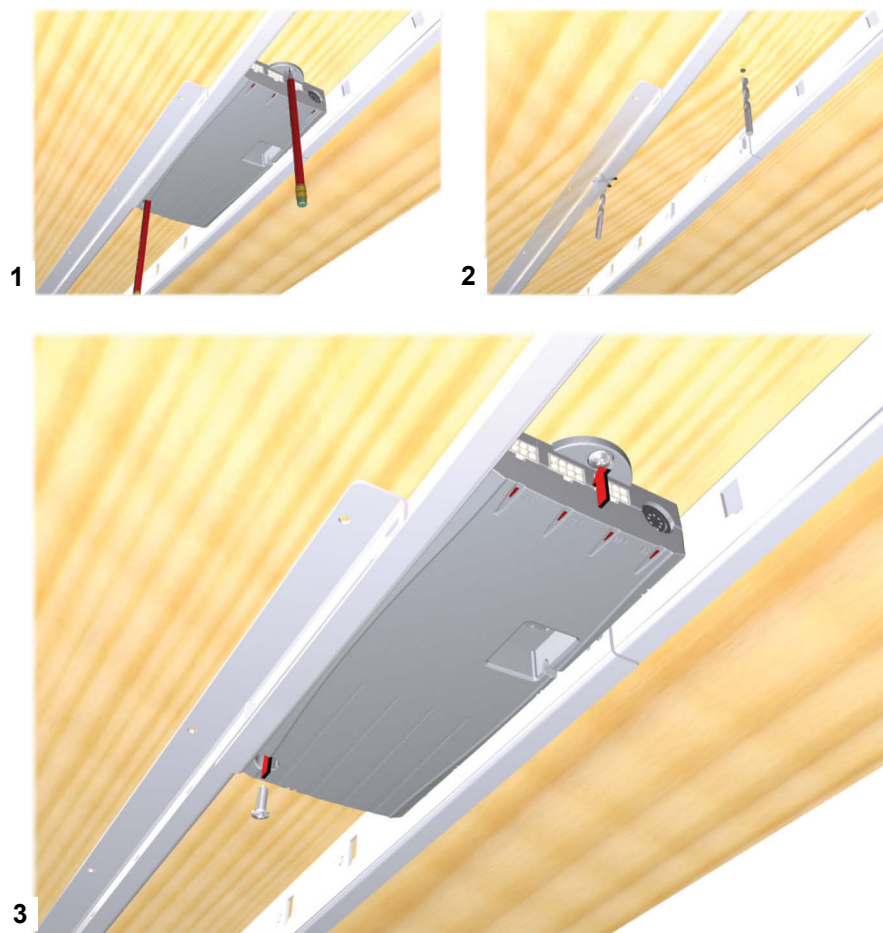


Figure 31 Mounting the COMPACT control unit

5.5 Electrical connections for the SMART/COMPACT control units

CAUTION

Electrical components should be connected or disconnected only when the power supply cord is unplugged.

- There is a delay after the supply voltage is applied before the device actually turns on. Wait at least seven seconds before beginning the commissioning.

5.5.1 Connecting the lifting columns and the control keypad to the SMART control unit

The lifting columns and the control keypad are both connected to the front of the SMART control unit (the unit for adjusting one or two lifting columns). The following illustration shows the location of these connections.

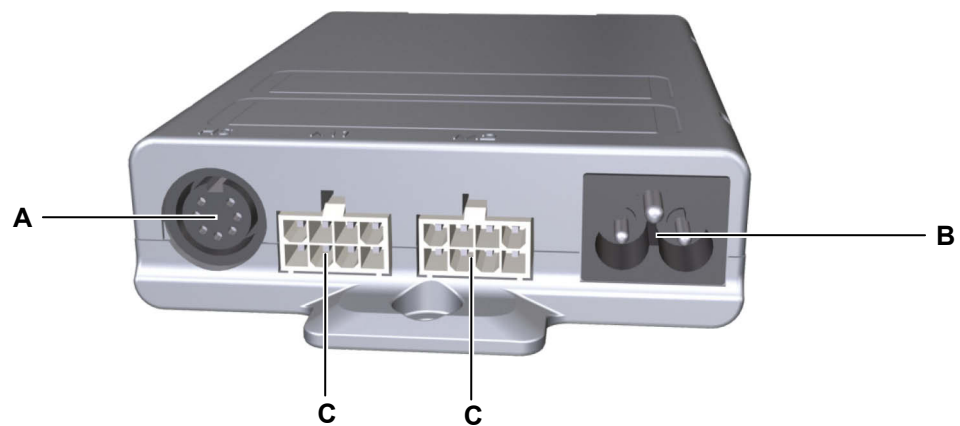


Figure 32 Connection ports on the SMART control unit: Model used for two lifting columns

A Connection for the control keypad

B Mains power supply connection

C Connection for the lifting columns

NOTICE

Be sure to connect the power cable into the control unit after all other connections are plugged in.

5.5.2 Connecting the lifting columns and the control keypad to the COMPACT control unit

The lifting columns and the control keypad are both connected to the front of the COMPACT control unit. A sensor or a second control unit can optionally be connected with a cable to the top of the control unit.

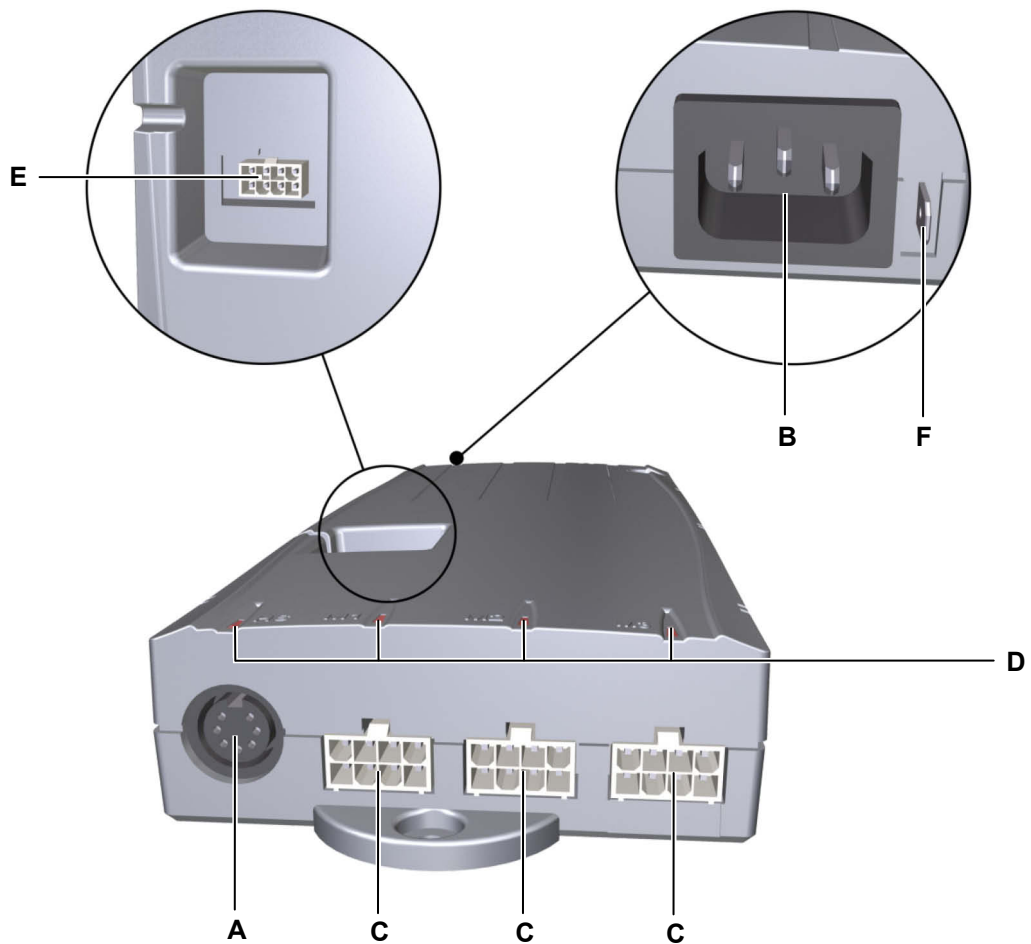


Figure 33 Connection ports on the COMPACT control unit

- | | |
|---|--|
| A Connection for the control keypad | B Mains power supply connection |
| C Connection for the lifting columns | D Status LEDs |
| E Sensor connection / cascade connection | F Protective earth connection |

NOTICE

Be sure to connect the power cable into the control unit after all other connections are plugged in.

5.6 Mounting the sensor unit

The COMPACT control unit can be equipped with a protective mechanism. A sensor unit (sensor and processor) can be mounted under the tabletop between the table frames.

- The sensor is attached to both the table frame and the tabletop. The contact point with the tabletop is marked with a yellow dot, as shown in Figure 34.

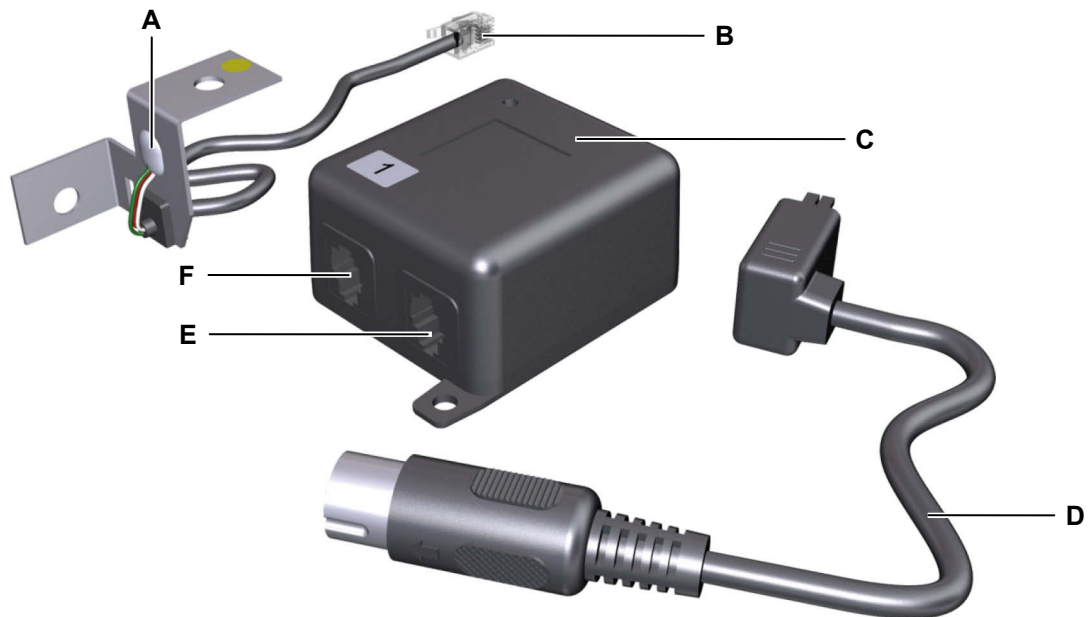


Figure 34 Sensor unit

- | | |
|--|---|
| A Sensor | B Connecting cable (for connection to processor) |
| C Processor | D Connecting cable for control unit |
| E Connection for the connecting cable for a second sensor | F Connection for the sensor cable |

NOTICE

This protective mechanism only works when the sensor is correctly installed. Make sure that the side of the sensor marked with a yellow dot is facing the tabletop.

⚠ CAUTION

- You should only install and remove the sensor when it is completely disconnected from any live current!
- This safety mechanism is not effective for the system unless the drilled holes are aligned exactly with each other. Personal injury and property damage can result from improper alignment.

- The screws are not included in our delivery.

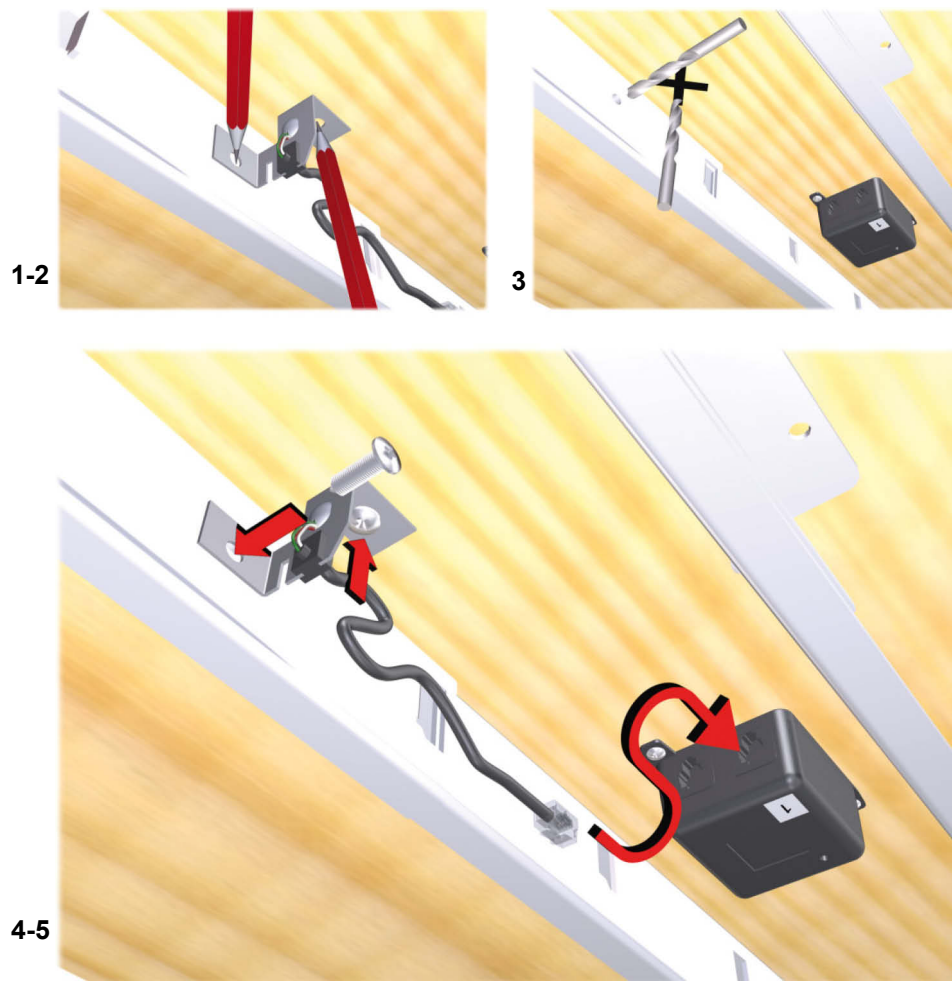


Figure 35 Mounting the sensor unit (sensor and processor)

Mount the sensor bracket marked with the yellow dot to the underside of the tabletop. Mount the second bracket to the table frame (as shown in Figure 35, and described below).

- ▶ Before mounting the sensor, make sure that the cables are long enough to reach the sensor in that position. Make sure that the cables are routed so that they cannot be pinched during the up and down movements.
- 1 Mark the drill holes used for mounting the processor. Drill pilot holes and then screw the processor on the underside of the tabletop so that it is in the vicinity of the control unit.
 - 2 If no holes are pre-drilled, mark the drill holes for mounting the sensor (on underside of tabletop and on table frame).
 - 3 Drill the holes for mounting the sensor.

 **CAUTION**

Observe the following information in order to ensure that the safety mechanism functions properly:

- If the screws are not tightened properly, the safety mechanism will not function effectively.
- Use both screws.
- Take suitable measures to prevent the screws from loosening during operations. Improperly tightened screws will prevent the safety equipment from working properly.
- The connected cables may be neither too slack nor too tight.

4 Screw on the sensor. Pay attention to the correct positioning (the side with the yellow dot should be mounted to the underside of the tabletop). Observe the recommended torques:

- Mount to table frame: 3 Nm,
- Mount to tabletop: 2 – 2.5 Nm (depending on the type of wood in use).

 **CAUTION**

In order to ensure the effectiveness of the safety mechanism, note the following when connecting the processor:

- If only one sensor is being connected, it should be connected to the socket number 1.
- If a second sensor is being connected to the processor, connect it to the other available socket.
- Only one sensor may be connected to the processor when you are cascading several control units! This one sensor should then be connected to the socket number 1.

5 Connect the sensor unit's cable to the processor (port F in Figure 34).

6 If a second sensor is to be connected: Connect the second sensor unit's cable to the processor (port E in Figure 34).

7 Connect the processor's cable to the COMPACT controller (see Figure 33).

5.6.1 Important information about collision protection

Intelligent System Protection (ISP)

ISP is a state-of-the-art collision protection system. It substantially reduces crushing hazards.

 **CAUTION**

Danger of pinching/crushing injuries!

- In spite of the ISP collision protection, there may still be a risk of pinching and crushing in exceptional cases, since not only the control unit, but also the interaction between the mechanical and electronic systems is responsible for cutting out the motor! In addition, the mechanical components, motor and ambient conditions all affect cut-out sensitivity!
- Therefore, this residual risk cannot be entirely ruled out and the manufacturer may not be held liable!

- ▶ The ISP-sensitivity and the ISP-cutoff value depend on the whole system (the mechanical and electrical components). Please contact your supplier or dealer to determine the ISP capabilities of a height-adjustable table.
- ▶ Please note the following for maximizing ISP functionality: In order to ensure the best possible collision protection, a **mechanical brake** must be built in which activates when the height-adjustable tabletop moves down.
- ▶ The cut-out sensitivity may be reduced under a load whenever there is no mechanical brake being used. However, if there is no load on the tabletop, the ISP collision protection will function properly even without a brake.
- ▶ As soon as the ISP has stopped the height-adjustable tabletop, you may then adjust the desktop only in the opposite direction (the safety feature initially prevents you from adjusting the desk in the same direction that triggered the ISP)!
- ▶ The parameters are used to adjust the ISP cut-out level.

Drive back

- ▶ The "drive back" function is only active if the collision protection (ISP, pinch protection strip) has been activated.

After a safety function is triggered (by ISP or the pinch protection strip), the tabletop automatically moves a defined distance in the opposite direction. This immediately eliminates the pinching risk.

 **CAUTION**

Danger of pinching/crushing injuries!

- In spite of the ISP collision protection, there may still be a risk of pinching and crushing in exceptional cases, since not only the control unit, but also the interaction between the mechanical and electronic systems is responsible for cutting out the motor! In addition, the mechanical components, motor and ambient conditions all affect cut-out sensitivity!
- Therefore, this residual risk cannot be entirely ruled out and the manufacturer may not be held liable!

5.7 Mains power supply for the SMART/COMPACT control units

CAUTION

- Please follow these operating instructions carefully. You could be injured by fire or electrical shock if you do not follow these assembly instructions.
- Only use the proper power cable that is permitted in your country. Be sure to use the correctly shaped plug, as shown in the following illustration.

The appropriate power cord is included, depending on the regional version (USA, continental Europe, the UK, Japan or Australia).

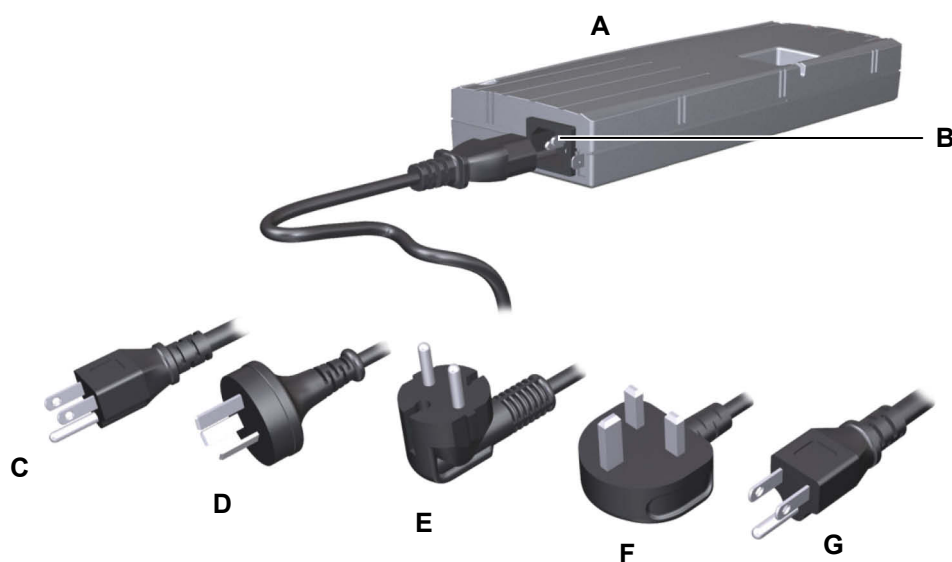


Figure 36 Power cord, regional variants

- | | |
|---|--|
| A COMPACT control unit (example) | B Mains power supply connection |
| C Power plug (USA) | D Power plug (Australia) |
| E Power plug (EURO flat plug) | F Power plug (United Kingdom) |
| G Power plug (Japan) | |

- ▶ Note that this device switches on with a slight delay after the power cord is plugged in and voltage is applied. Wait at least seven seconds before beginning the commissioning.
- ▶ You will need to carry out a reset movement on the control unit (see section 6.1 on page 45) after the initial commissioning.

6. Initial commissioning

NOTICE

The DD11/DD21 system must first be fully installed (see chapters 4 and 5) and all components must be connected before you can carry out the initial commissioning.

It is not possible to connect a second control unit or additional lifting columns later.



NOTICE

You must carry out a reset (refer to section 6.1) after you disconnect the cable that connects a component (drive, handset, etc.) to the control unit for the DD11/DD21 system.

6.1 Reset during initial commissioning and after the removal of connecting cables

 **CAUTION****Danger of pinching/crushing injuries!**

No system-based safety mechanism is active during the reset process.

- 1 Connect the power cable to the control unit's power connection.
- 2 Insert the mains power plug into a power outlet.
- 3 Press and hold the  key (adjusting downward) until the tabletop moves all the way down.
- 4 Press the  key for at least five seconds longer.
- 5 The lifting column moves briefly downwards, then immediately upwards and then comes to a stop.
- 6 The reset is now finished. You can now press the corresponding key to raise or lower the lifting columns.

7. Notes for operation

These installation instructions do not contain all information required for the safe operation of the end product. They only describe the installation and operation of the lifting columns as components (as defined in the Machinery Directive as a "partially assembled piece of machinery").

7.1 General information

 **CAUTION**

Danger of pinching/crushing injuries!

Make sure that there are no persons (especially children) or objects located in the range of movement while the table is moving.

Delayed start-up

- ▶ Note that this device switches on with a slight delay after the power cord is plugged in and voltage is applied. Wait at least seven seconds before beginning the commissioning.

Power-on time / intermittent operations

NOTICE

The SMART/COMPACT control units have been designed for intermittent operations. Intermittent operation is an operational mode where the drive must pause after a specified maximum period of operation (power-on time). This protects the drive from overheating. Extreme overheating can cause a malfunction.

- ▶ The ratings plate specifies the maximum power-on time and the required pause intervals.

Avoiding electrical risks

 **CAUTION**

Make sure that all live (current-carrying) parts of the drive system and power supply cannot be touched. In particular, be sure that unused power and control unit connections are covered adequately.

Reducing the risk of overheating with the thermal monitor

**CAUTION**

The SMART/COMPACT control unit is equipped with a thermal monitor (circuit breaker) that triggers when the unit overheats. If the temperature control has triggered, remove the control unit from the power supply, allow it to rest for 20 to 30 minutes and try again. If the control unit still does not function, please contact your supplier or sales agent.

Stopping the system DD11/DD21 system in an emergency

Pull out the power plug in order to shut off the DD11/DD21 system. The power plug must always be accessible during operations so that emergency shut-off is possible.

Avoiding cable damage

Be sure that your operating instructions inform the user about the possible cable risks.

NOTICE

The cables (in particular the electrical connection for the drives and the power supply cable for the drive system) must not be squashed or crushed. In order to prevent damage to the drive, no mechanical strain should be placed on the cables.

8. Operating the control keypads

8.1 Functions of the Motion Assist control keypad






Figure 37 Motion Assist control keypad

A Key for adjusting downwards

D Key for adjusting upwards: located on the underside of the control keypad

8.1.1 Key assignments for the Motion Assist control keypad

| Key | Function |
|---|---|
|  | Adjusting downwards |
|  | Adjusting upwards |
|  | For carrying out the reset motion after a malfunction (refer to 6.1). |

- ▶ Press the key on the control keypad to raise or lower the tabletop. Keep pressing the key until the tabletop reaches the desired height.

8.2 Functions of the HSCO control keypad

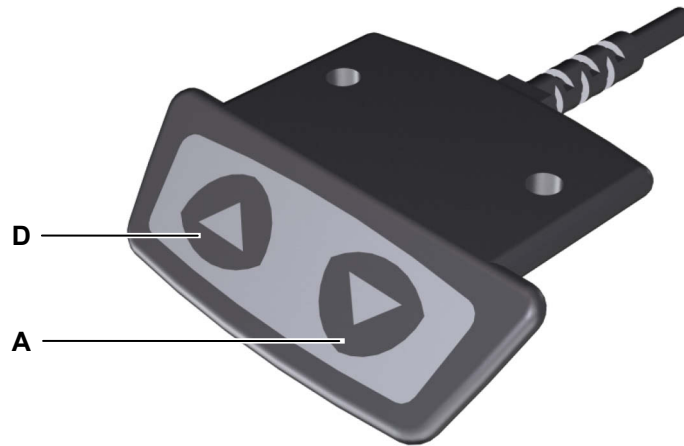





Figure 38 HSCO control keypad

A Key for adjusting downwards

D Key for adjusting upwards

8.2.1 Key assignments for the HSCO control keypad

| Key | Function |
|---|---|
|  | Adjusting downwards |
|  | Adjusting upwards |
|  | For carrying out the reset motion after a malfunction (refer to 6.1). |

- ▶ Press the key on the control keypad to raise or lower the table. Keep pressing the key until the desired height of the table is reached.

8.3 Functions of the HSU Varioline control keypad

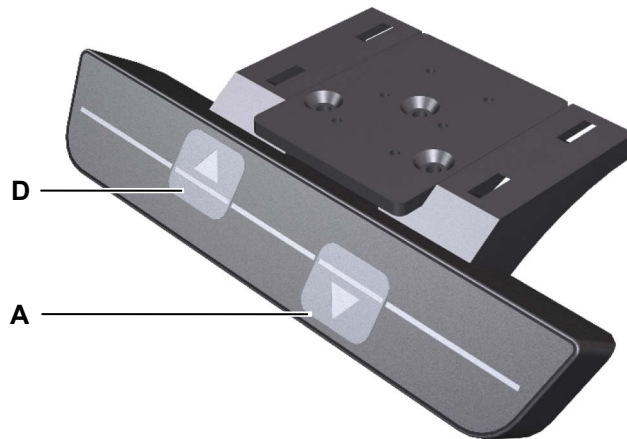





Figure 39 HSU Varioline control keypad

A Key for adjusting downwards

D Key for adjusting upwards

8.3.1 Key assignments for the HSU Varioline control keypad

| Key | Function |
|---|---|
|  | Adjusting upwards |
|  | Adjusting downwards |
|  | For carrying out the reset motion after a malfunction (refer to 6.1). |

- ▶ Press the key on the control keypad to raise or lower the table. Keep pressing the key until the desired height of the table is reached.

8.4 Functions of the HSU control keypad

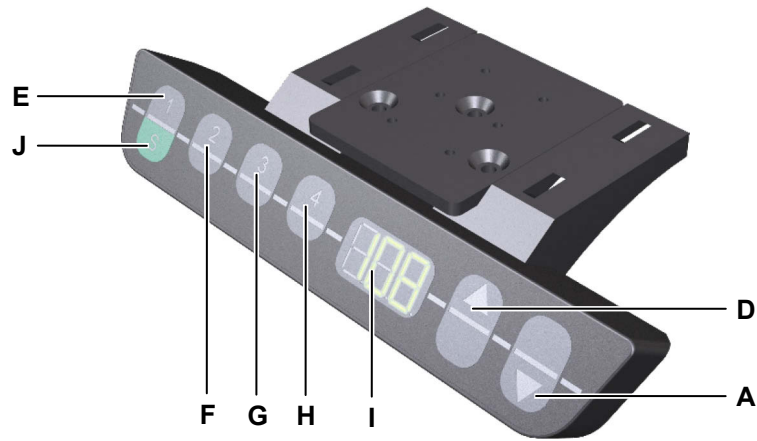


Figure 40 HSU control keypad

- A** Key for adjusting downwards
- B** Key for adjusting upwards
- C** Key for carrying out the reset motion after a malfunction
- D** Key for adjusting downwards
- E** Memory key 1
- F** Memory key 2
- G** Memory key 3
- H** Memory key 4
- I** Display
- J** Save key S

8.4.1 Key assignments for the HSU control keypad

| Key / indicator | Function | Key / indicator | Function |
|-----------------|--------------|-----------------|---|
| | Display | | Memory key 3 |
| | Memory key 1 | | Memory key 4 |
| | Save key S | | Adjusting upwards |
| | Memory key 2 | | Adjusting downwards |
| | | | For carrying out the reset motion after a malfunction (refer to 6.1). |

- ▶ The display on the HSU control keypad consists of a 3-character positional and information display.
- ▶ Using the keys for upwards or downwards adjustments: Press and hold the corresponding key until the desired position is reached.

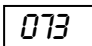

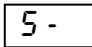

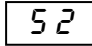
8.4.2 Advanced functions

Saving a position

Any table position can be saved using this function.


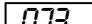
- ▶ When the controller is turned on for the first time, all positions are equal to the minimum table position (the lower end position).
- ▶ Only one table position can be stored per memory key.

To save a position, proceed as follows:

- 1 Move the table to the position that you want to save.
The position is shown on the display (e.g. 73 cm).

- 2 Press the green Save key.

S - is now shown on the display.

- 3 Press the desired memory key (e.g. 2).

S 2 is shown on the display.

- 4 The set table position is now saved for the selected memory key.
A double-click noise can then be heard. After about 2 seconds, the saved table position is displayed.

Adjusting the table to a saved height position

This function allows you to set the table to a saved table position.

- 1 Press and hold the memory key that corresponds to the desired table position (e.g. position 2).

The table will move as long as the memory key is pressed. If you release this key before the saved position is reached, the table will stop before it reaches this position.
- 2 Release the key when the table has reached the saved position.

The current (saved) position is shown on the display.

8.5 Functions of the HSF control keypad

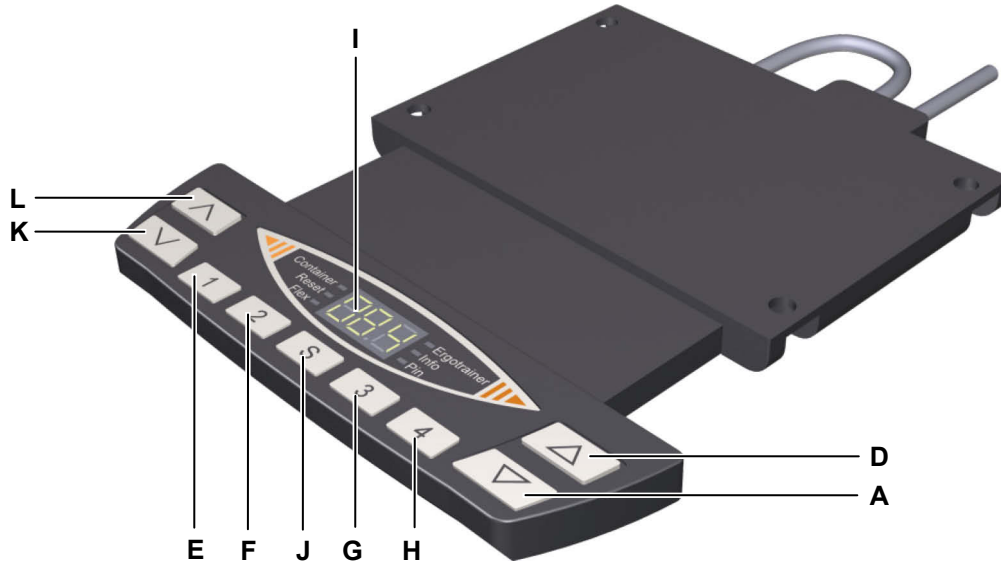


Figure 41 HSF control keypad

- A** Key for adjusting downwards
- E** Memory key 1
- G** Memory key 3
- I** Display
- K** Motor group 2, adjust downwards
- D** Key for adjusting upwards
- F** Memory key 2
- H** Memory key 4
- J** Save key S
- L** Motor group 2, adjust upwards

8.5.1 Key assignments for the HSF control keypad

| Key / indicator | Function | Key / indicator | Function |
|-----------------|---|-----------------|--|
| | Display and LED indicators (refer to section 8.5.2) | | Memory key |
| | Motor group 2, adjust upwards | | Memory key 3 |
| | Motor group 2, adjust downwards | | Memory key 4 |
| | Memory key 1 | | Adjusting upwards |
| | Memory key 2 | | Adjusting downwards |
| | | | Reset movement after a malfunction (see chapter 6.1) |

- Using the keys for upwards or downwards adjustments: Press and hold the corresponding key until the desired position is reached.

8.5.2 Display functions

The display on the HSF control keypad is a 3-character positional and information display. There are also 6 information LEDs arranged side-by-side.

| LED | Function |
|--------------------------------|---|
| Container LED | This LED indicates that the container stop is enabled. (Depending on controller model in use.) |
| Reset LED | This LED indicates that a controller reset is being carried out. (Depending on controller model in use.) |
| Flex LED ¹⁾ | This LED indicates that the Flex function is enabled. (Depending on controller model in use.) |
| Ergo-trainer LED ¹⁾ | This LED indicates that the ergo-trainer is enabled. (Depending on controller model in use.) |
| Info LED | This LED indicates that important information is displayed on the positional/information display. (Depending on controller model in use.) |
| PIN LED ¹⁾ | This LED indicates that the PIN CODE function is enabled. |

¹⁾ Not available with the SMART/COMPACT control unit.

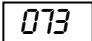

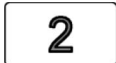
8.5.3 Advanced functions

Saving a position

Any table position can be saved using this function.

- ▶ When the controller is turned on for the first time, all positions are equal to the minimum table position (the lower end position).
- ▶ Only one table position can be stored per memory key.

To save a position, proceed as follows:

- 1 Move the table to the position that you want to save.
 The position is shown on the display (e.g. 73 cm).
- 2 Press the Save key.
 **S** - is now shown on the display.
- 3 Press the desired memory key (e.g. 2).
 **S 2** is shown on the display.
- 4 The set table position is now saved for the selected memory key. A double-click noise can then be heard. After about 2 seconds, the saved table position is displayed.

Adjusting the table to a saved height position

This function allows you to set the table to a saved table position.

2

- 1 Press and hold the memory key that corresponds to the desired table position (e.g. position 2).

The table will move as long as the memory key is pressed. If you release this key before the saved position is reached, the table will stop before it reaches this position.

- 2 Release the key when the table has reached the saved position.

073

The current (saved) position is shown on the display.


Adjusting the motor group 2 to a saved position

This function allows you to set the table (motor group 2) to a saved table position.

- If there is no second motor group, then the  and  keys are assigned the same functions as the  and  keys.

Move table upwards (motor group 2):




- 1 Press the  key for moving up. Press the key down until the table has reached the saved position.

The table will move up as long as the memory key is pressed. If you release this key before the saved position is reached, the table will stop before it reaches this position.

Move table downwards (motor group 2):



- 2 Press the  key for moving down. Press the key down until the table has reached the saved position.

The table will move down as long as the memory key is pressed. If you release this key before the saved position is reached, the table will stop before it reaches this position. Release the key when the table has reached the saved position.

8.6 Functions of the Touch basic IL control keypad

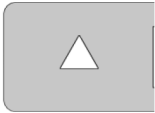
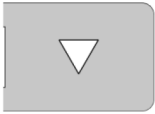
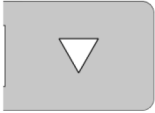


Figure 42 Touch basic IL control keypad

A Key for adjusting downwards

D Key for adjusting upwards

8.6.1 Key assignments for the Touch basic IL control keypad

| Key | Function |
|---|---|
|  | Adjusting upwards |
|  | Adjusting downwards |
|  | For carrying out the reset motion after a malfunction (refer to 6.1). |

- ▶ Press the key on the control keypad to raise or lower the table. Keep pressing the key until the desired height of the table is reached.

8.7 Functions of the Touch basic DN control keypad



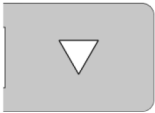


Figure 43 Touch basic DN control keypad

A Key for adjusting downwards

D Key for adjusting upwards


8.7.1 Key assignments for the Touch basic DN control keypad

| Key | Function |
|---|---|
|  | Adjusting upwards |
|  | Adjusting downwards |
|  | For carrying out the reset motion after a malfunction (refer to 6.1). |

- ▶ Press the key on the control keypad to raise or lower the table. Keep pressing the key until the desired height of the table is reached.

9. Troubleshooting



This chapter describes troubleshooting methods for fixing problems. If you experience an error that is not listed in this table, please contact your supplier or sales agent.

| |
|---|
|  CAUTION |
| Only qualified specialists who have received electrician training should carry out troubleshooting and repairs. |

9.1 Malfunctions

| Problem | Possible cause | Solution |
|---|---|--|
| The drives are not functioning. | There is no mains supply voltage. | Connect the mains power supply. |
| | The drives are not connected. | Connect the motor's connecting cable to the control unit. |
| | A plug has a bad contact. | Make sure that the motor cable, the power supply and the control keypad are properly and firmly connected. |
| | A control unit or a control keypad is defective. | Please contact your supplier or sales agent. |
| The drives are running in only one direction. | There was a power outage during an adjustment movement or the power cable was disconnected during a movement. | Carry out the reset movement. |
| | The control unit, drive, or control keypad is defective. | Please contact your supplier or sales agent. |
| The control unit or control keypad is not functioning properly. | There is no mains supply voltage. | Connect the mains power supply. |
| | The control keypad is not connected. | Connect the control keypad. |
| | The control unit, power cable or control keypad is defective. | Please contact your supplier or sales agent. |
| | A plug has a bad contact. | Make sure that the plugs are firmly seated and properly connected. |

9.2 Error messages on the control keypad's display

| Displayed error message | Possible cause | Solution |
|---|---|---|
|  | The SMART/COMPACT control unit is equipped with a thermal protective mechanism which has been triggered. | Wait until the control unit has cooled down and the message HOT is no longer displayed. The control unit is once again ready for operations. |
|  | There is an internal error in the SMART/COMPACT control unit. | Proceed according to the instructions in the error list below. |
| 00 | Internal error channel 1 | Switch off the control unit. |
| 01 | Internal error channel 2 | Please contact your supplier or sales agent. |
| 02 | Internal error channel 3 | |
| 12 | Malfunction channel 1 (SMART/COMPACT) | Disconnect all connecting cables from the control unit. |
| 13 | Malfunction channel 2 (SMART/COMPACT) | Find and correct the short circuit. Reconnect the control unit and resume operations. |
| 14 | Defect on channel 3 (COMPACT only) | Connect the correct lifting column to the correct socket. Reconnect the control unit and resume operations. |
| 24 | Excessive current at lifting column M1 (SMART/COMPACT) | Remove the jammed objects from the range of movement. |
| 25 | Excessive current at lifting column M2 (SMART/COMPACT) | Table is overloaded: remove the excess load. |
| 26 | Excessive current at lifting column M3 (COMPACT) | Please contact your supplier or sales agent. |
| 48 | Excessive current at drive group 1 (SMART/COMPACT) | |
| 49 | Excessive current at drive group 2 (COMPACT) | |
| 60 | Collision protection | |
| 62 | Excessive current at control unit | |
| 36 | Plug detection at socket M1 | Connect the correct lifting column to the correct socket. |
| 37 | Plug detection at socket M2 | Carry out the reset movement. |
| 38 | Plug detection at socket M3 | |
| 61 | Lifting columns are wrong. | |

| Displayed error message | Possible cause | Solution |
|-------------------------|----------------------------------|---|
| 55 | Synchronization of drive group 1 | Remove the load from the table. |
| 56 | Synchronization of drive group 2 | Carry out the reset movement. The error is still displayed after the reset: Please contact your supplier or sales agent. |
| 67 | The voltage is too high. | Disconnect the mains cable from the power supply. Please contact your supplier or sales agent. |
| 70 | Changed drive configuration | <p>First option:</p> <p>Disconnect the mains power cable from the power supply and wait at least five seconds.</p> <p>Connect the mains power cable to the power supply.</p> <p>Carry out the reset movement.</p> <hr/> <p>Second option:</p> <p>Simultaneously press the Memory position 1 and 2 keys and the Tabletop up key. Hold the keys down for about ten seconds and then release them.</p> <p>S 1 is now shown on the display.</p> <p>Press down on the Tabletop up key until S 7 appears in the display.</p> <p>Press the Memory key.</p> <hr/> <p>Third option:</p> <p>Please contact your supplier or sales agent.</p> |

| Displayed error message | Possible cause | Solution |
|-------------------------|-------------------------------------|---|
| 71 | Change the anti-pinch configuration | <p>Refer to error 70.</p> <hr/> <p>Disable the sensor unit: Remove a sensor unit from the COMPACT control unit. The error E71 appears on the display.</p> <p>Verify that the sensor unit is no longer connected to the COMPACT control unit.</p> <p>Press down on the Tabletop up key until the tabletop has reached its upper position. The COMPACT control unit clicks three times: the sensor unit is now deactivated.</p> |
| 81 | Internal error | <p>Carry out the reset movement.</p> <hr/> <p>Disconnect the mains cable from the power supply. Reconnect the power supply cable after a few seconds.</p> <hr/> <p>If this error is displayed multiple times: Disconnect the mains cable from the power supply. Please contact your supplier or sales agent.</p> |

- ▶ A manual reset may be required if there was a power outage (or if the power cord was disconnected) during the height adjustment process.

9.3 Error messages, as indicated by clicking tones from the control unit

| Number of clicks | Explanation | Solution |
|------------------|--|---|
| Two | Normal operations (The system is working properly.) | - |
| One | Emergency mode (The lifting columns cannot be used in emergency mode.) | Check the LEDs and the error code on the display of the control keypad. |
| 3 – 6 | The last shutdown was incomplete. Forced reset movement | Check the LEDs and the error code on the display of the control keypad. |

9.4 Error messages displayed by the LEDs (COMPACT control unit)

| LED display | Explanation | Solution |
|---|---|--|
| Control unit LED is flashing | Internal error | Carry out the reset movement. Disconnect the mains cable from the power supply. Reconnect the power supply cable after a few seconds. Disconnect the mains cable from the power supply. Please contact your supplier or sales agent. |
| Control unit LED is illuminated. | A reset movement is required. | Carry out the reset movement. Note: This LED is also illuminated during the reset movement or after the reset was not executed to completion. It goes off when the reset is finished. |
| The LED over the lifting column port is flashing. | There is a short circuit on the lifting column. | Disconnect the control unit's connecting cable. Find and correct the short circuit. Reconnect the control unit and resume operations. |
| The LED over the lifting column port is lit. | A lifting column is missing. | Connect the correct lifting column to the correct socket. Carry out the reset movement. |

10. Maintenance and cleaning

- ▶ You should only use spare parts which have been manufactured or approved by DewertOkin. Only these parts will guarantee a sufficient level of safety.

10.1 Maintenance

- ▶ Periodic inspections should be carried out in accordance with the German Social Accident Insurance (DGUV) guidelines / provision 3. A qualified electrician should carry out this inspection.
- ▶ The following should also be checked frequently:

| Type of check | Explanation | Time interval |
|---|--|---|
| Look over the housing periodically for any signs of damage. | Check the housing for breaks or cracks. The IP-class protection will be impaired by any breakage or cracks. | At least every six months. |
| Look over the cables, wires and strain relief mechanisms. | Check the cables for pinching or shearing. Also check the strain relief and kink protection mechanisms, in particular after any mechanical load. | At least every six months. |
| Check the resistance of the protective earth and check for leakage current. | The leakage current and the protective earth resistance should be checked by a trained electrician. | At least every six months. |
| Check the function and safety of the electrical system. | A qualified electrician should carry out this inspection. (Refer to the "Electrical connection" section in the "Installation" Chapter.) | Periodic inspections can be carried out at intervals based on the risk assessment which you conduct for your end product. |

10.2 Cleaning

- ▶ Clean the DD11/DD21 system components using a dry cloth as often as needed.

NOTICE

- Always disconnect the mains power plug from the DD11/DD21 system before you start to clean it.
- Be sure that you do not damage the connecting cables during the cleaning.

11. Technical specifications and product designation

11.1 Table

| dimensions | |
|---|---|
| Complete system DESKFRAME C DD-A 1xCB / DESKFRAME C DD-A 2xCB | |
| Tabletop (permissible dimensions) for table with two lifting columns: | |
| Length | 1200 to 2000 mm |
| Width | 800 to 1000 mm |
| Height | 19 to 25 mm |
| Complete system DESKFRAME C DD-B 1xCB | |
| Tabletop (permissible dimensions) for table with three lifting columns: | |
| Length | 1200 to 2000 mm |
| Width | 800 to 1000 mm |
| Height | 19 to 25 mm |
| Table frame | |
| Length x width x height | Depending on your model |
| Table legs | |
| Length x width x height | Depending on your model |
| Ambient conditions for operation, storage and transport | |
| Temperatures for transport and storage | From -20 °C to +50 °C From -4 °F to +122 °F |
| Operating temperature | From +10 °C to +40 °C From +50 °F to +104 °F |
| Relative humidity | From 30% to 75% |
| Air pressure | From 800 hPa to 1060 hPa |
| Height | < 2000 m |

11.2 SMART and COMPACT control units

| Control unit: | SMART eco | COMPACT eco | COMPACT eco+ |
|--|---|---------------------------------|----------------|
| Rated voltage | USA: 120V AC, 60Hz EU: 230V AC, 50Hz | | |
| Standby power at rated voltage | ≤ 0.3 W | ≤ 0.3 W | ≤ 0.1 W |
| Current consumption at rated load | Max. 4 A per channel and socket | Max. 7 A per channel and socket | |
| Mode of operations ¹⁾ | Intermittent duty 2 min./18 min. | | |
| Protection class | I | | |
| Protection degree | IP20 | | |
| Dimensions and weight | | | |
| Length x width x height (in mm) | 186 x 100 x 30 | 264 x 103 x 37 | 264 x 103 x 37 |
| Weight | 305 g | 523 g | 523 g |
| Ambient conditions for operation, storage and transport | | | |
| Temperatures for transport and storage | From -20 °C to +50 °C From -4 °F to +122 °F | | |
| Operating temperature | From +10 °C to +40 °C From +50 °F to +104 °F | | |
| Relative humidity | From 30% to 75% | | |
| Air pressure | From 800 hPa to 1060 hPa | | |
| Height | < 2000 m | | |

¹⁾ Mode of operation: intermittent duty 2 min./18 min. This means that after the unit is operated with its rated load for up to two minutes it must then be paused for 18 minutes. The system can malfunction if this pause is not observed!

11.3 Size of SMART control unit

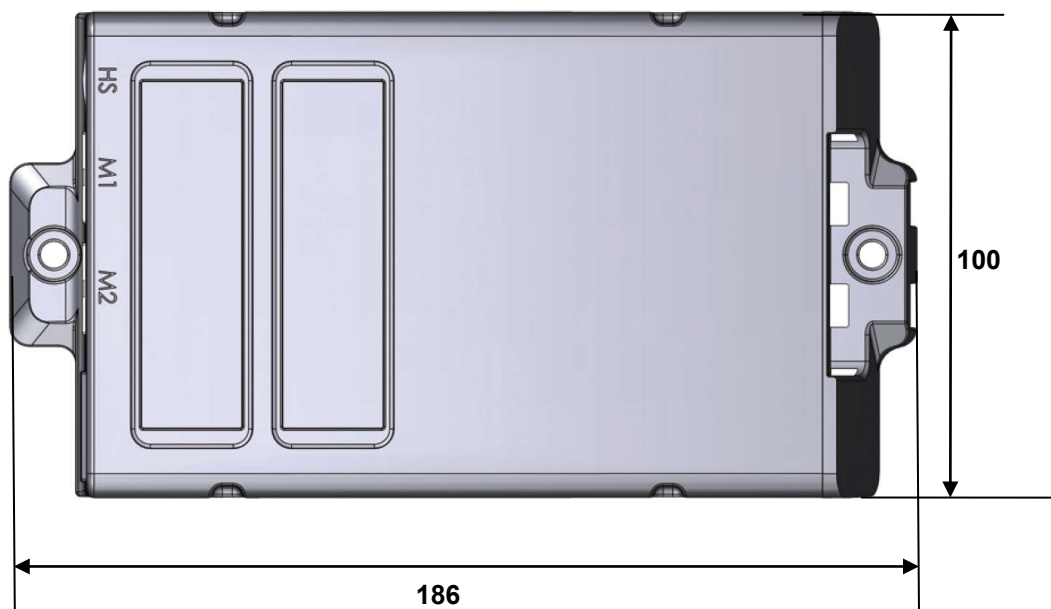


Figure 44 SMART control unit, top view (in mm)



Figure 45 SMART control unit, side view (in mm)

11.4 Size of COMPACT control unit

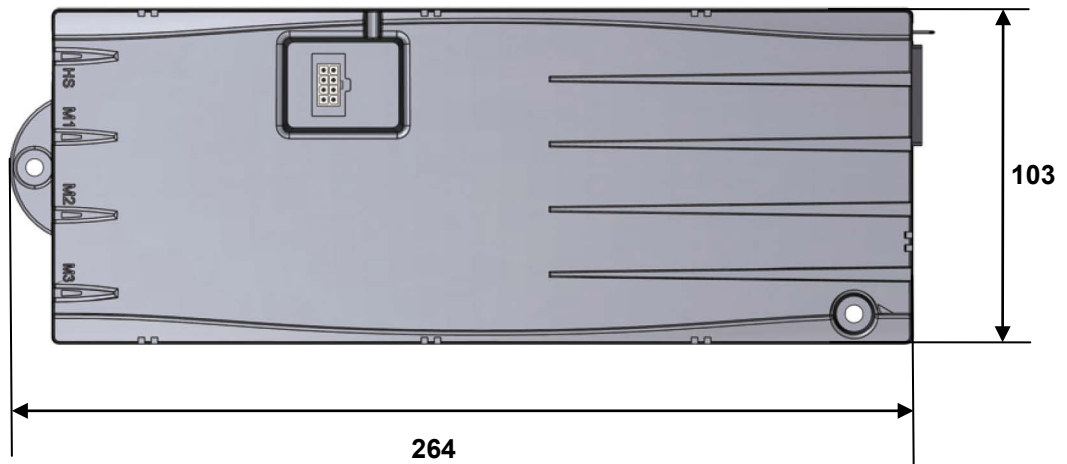


Figure 46 SMART control unit, top view (in mm)



Figure 47 COMPACT control unit, side view (in mm)

11.5 DD11 lifting column

| | |
|--|----------------------------------|
| Input voltage | 24 V DC – 29 V DC |
| Current consumption at rated load | Max. 5.5 A DC |
| Permitted push force | Max. 700 N |
| Self-locking | 700 N |
| Mode of operation ¹⁾ under max. rated load. | Intermittent duty 2 min./18 min. |
| Protection class | III |
| Noise level | ≤ 55 dB(A) |
| Drive type | lifting column |
| Protection degree | IP20 |
| Colours | RAL 9005, RAL 9006, RAL 9016 |
| Lift for DD11 | 500 mm |
| Length ²⁾ x width x height | 650 mm x 108.6 mm x 150.3 mm |
| Length ³⁾ x width x height | 1150 mm x 108.6 mm x 150.3 mm |
| Size of columns | Exterior: 80 mm x 50 mm |
| | Interior: 74 mm x 44 mm |
| Weight | Approx. 6.8 kg |
| Cable length | 1270 ±10 mm |
| Ambient conditions for operation, storage and transport | |
| Transport / storage temperature | From -20 °C to +50 °C |
| | From -4 °F to +122 °F |
| Operating temperature | From +10 °C to +40 °C |
| | From +50 °F to +104 °F |
| Relative humidity | From 30% to 75% |
| Air pressure | From 800 hPa to 1060 hPa |
| Height | < 2000 m |

¹⁾ Mode of operation: intermittent duty 2 min./18 min. This means that after the unit is operated with its rated load for up to two minutes it must then be paused for 18 minutes. The system can malfunction if this pause is not observed!

²⁾ Length when retracted.

³⁾ Length when fully extended.

11.6 Dimensions of DD11 lifting column

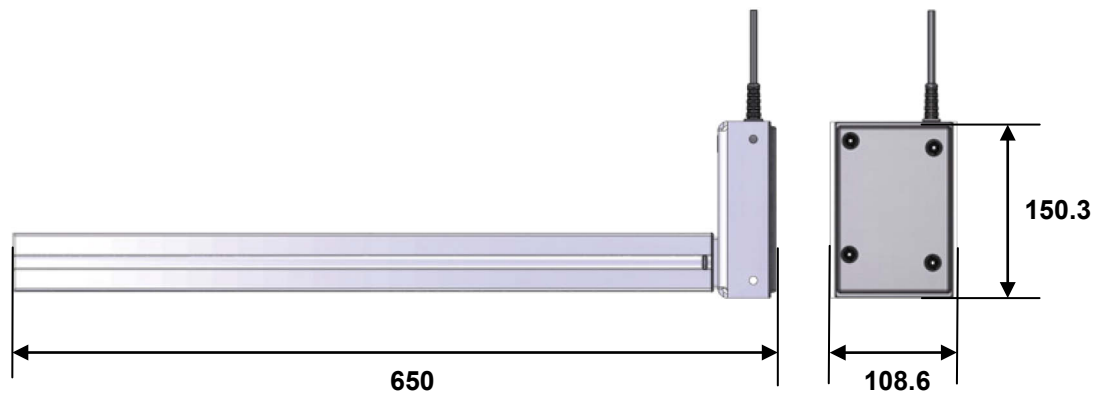


Figure 48 DD11 lifting column (in mm)

11.7 DD21 lifting column

| | |
|--|----------------------------------|
| Input voltage | 24 V DC – 29 V DC |
| Current consumption at rated load | Max. 5.5 A DC |
| Permitted push force | Max. 700 N |
| Self-locking | 700 N |
| Mode of operation ¹⁾ under max. rated load. | Intermittent duty 2 min./18 min. |
| Protection class | III |
| Noise level | ≤ 55 dB(A) |
| Drive type | lifting column |
| Protection degree | IP20 |
| Colours | RAL 9005, RAL 9006, RAL 9016 |
| Lift for DD21 | 650 mm |
| Length ²⁾ x width x height | 565 mm x 108.6 mm x 150.3 mm |
| Length ³⁾ x width x height | 1215 mm x 108.6 mm x 150.3 mm |
| Size of columns | Exterior: 80 mm x 50 mm |
| | Middle: 74 mm x 44 mm |
| | Interior: 68 mm x 38 mm |
| Weight | Approx. 7.8 kg |
| Cable length | 1270 ±10 mm |
| Ambient conditions for operation, storage and transport | |
| Transport / storage temperature | From -20 °C to +50 °C |
| | From -4 °F to +122 °F |
| Operating temperature | From +10 °C to +40 °C |
| | From +50 °F to +104 °F |
| Relative humidity | From 30% to 75% |
| Air pressure | From 800 hPa to 1060 hPa |
| Height | < 2000 m |

¹⁾ Mode of operation: intermittent duty 2 min./18 min. This means that after the unit is operated with its rated load for up to two minutes it must then be paused for 18 minutes. The system can malfunction if this pause is not observed!

²⁾ Length when retracted.

³⁾ Length when fully extended.

11.8 Dimensions of DD21 lifting column

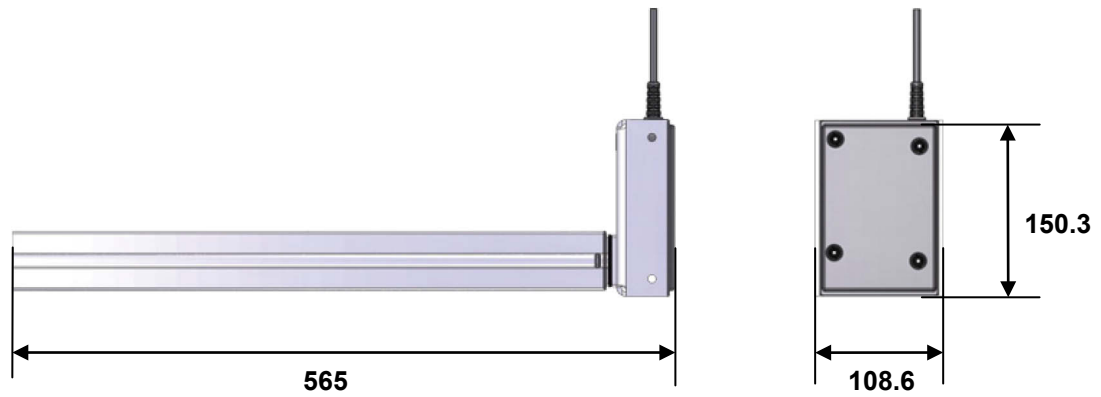


Figure 49 DD21 lifting column (in mm)

11.9 Product labelling

- ▶ The ratings plate shown is an example; the values shown in this example may differ from the specifications for your configuration.

11.9.1 Ratings plate on the control unit

A ratings plate (or type label) on each control unit specifies the exact name and serial number of the device. It also states the technical specifications valid for that particular control unit. The following illustration shows where the specifications are located on the ratings plate of the control unit.

Ratings plate on the COMPACT control unit

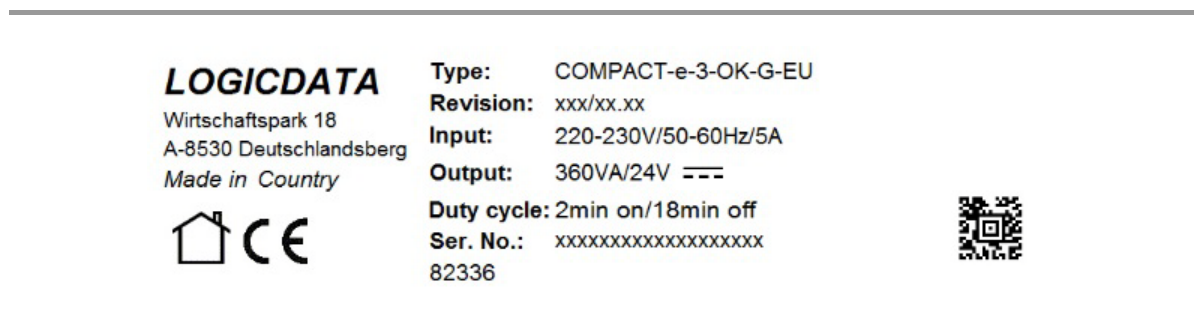




Figure 50 Ratings plate example

| | |
|---|--|
| COMPACT-e-3-OK-G-EU | Model name |
| Revision: xxx/xx.xx | Software version |
| Input: 220-230V/50-60Hz/5A | Input voltage, frequency and current consumption |
| Output: 360 VA / 24 V | Power and output voltage |
| Duty cycle: 2 min on / 18 min off | Intermittent operations: 2 minutes / 18 minutes |
| Ser. No. | Serial number |
|  | Use in dry rooms only! |
|  | Conformity mark |
| 82336 | Article number |

Ratings plate on the SMART control unit







| | | |
|---|--------------------|--|
| <p>LOGICDATA Wirtschaftspark 18 A-8530 Deutschlandsberg Made in Country</p>   | Type: | SMART-e-2-OK-G-EU |
| | Revision: | xxx/xx.xx |
| | Input: | 220-230V/50-60Hz/2.5A |
| | Output: | 216VA/24V  |
| | Duty cycle: | 2min on/18min off |
| | Ser. No.: | xxxxxxxxxxxxxxxxxxxxxx |
| | | 82334 |



Figure 51 Ratings plate example

| | |
|---|--|
| SMART-e-2-OK-E-EU | Model name |
| Revision: xxx/xx.xx | Software version |
| Input: 220-230V/50-60Hz/2.5A | Input voltage, frequency and current consumption |
| Output: 216 VA / 24 V  | Power and output voltage |
| Duty cycle: 2 min on / 18 min off | Intermittent operations: 2 minutes / 18 minutes |
| Ser. No. | Serial number |
|  | Use in dry rooms only! |
|  | Conformity mark |
| 82334 | Article number |

Sticker on the SMART and COMPACT control units

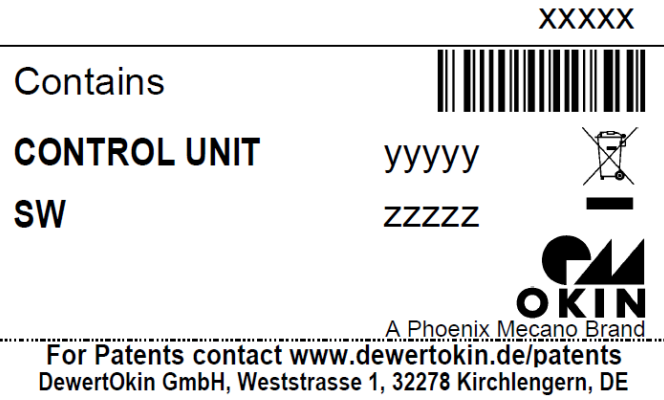




Figure 52 Sticker (an example)

| | |
|---|---|
| xxxxx | Article number |
| CONTROL UNIT yyyyy | Type designation and ID of control unit |
| SW zzzzz | ID of software |
|  | Follow all special disposal instructions! |
|  | |

11.9.2 Ratings plate on the Motion Assist control keypad



Figure 53 Ratings plate example

| | |
|-----------------|--|
| M. Assist | Type designation for the Motion Assist |
| xxxxxxx | Article number |
| Prod.date 28/10 | Calendar week / year |

11.9.3 Ratings plate, control keypads

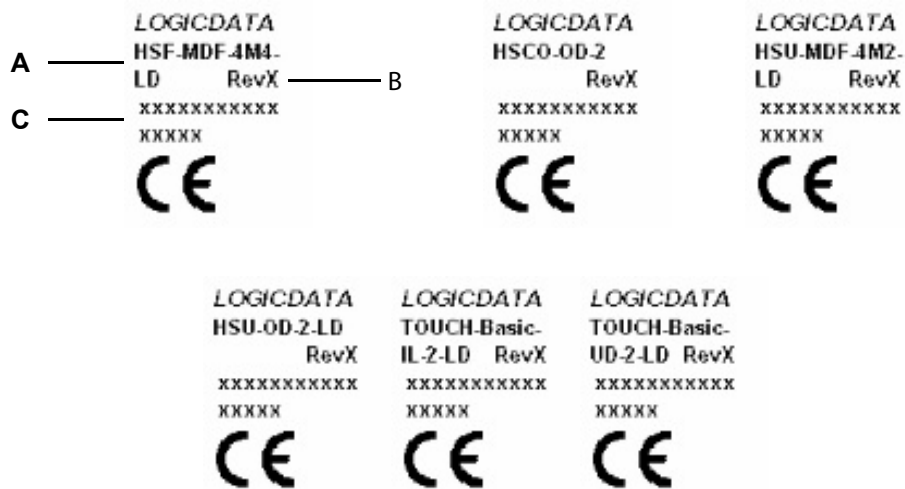



Figure 54 Rating plates (examples)

| Position | Designation (example) | Explanation |
|----------|---|---------------------------------|
| A | HSF_MDF_4M4_LD | Type designation (abbreviation) |
| B | RevX | Revision |
| C | xxxxxxxxxxx | Serial number |
| |  | Conformity mark |

11.9.4 Ratings plate on the DD11/DD21 lifting columns

A ratings plate (type label) on each lifting column specifies the exact name and serial number of the lifting column. It also states the technical specifications valid for that particular lifting column. The following illustrations show where the specifications are located on the ratings plate.

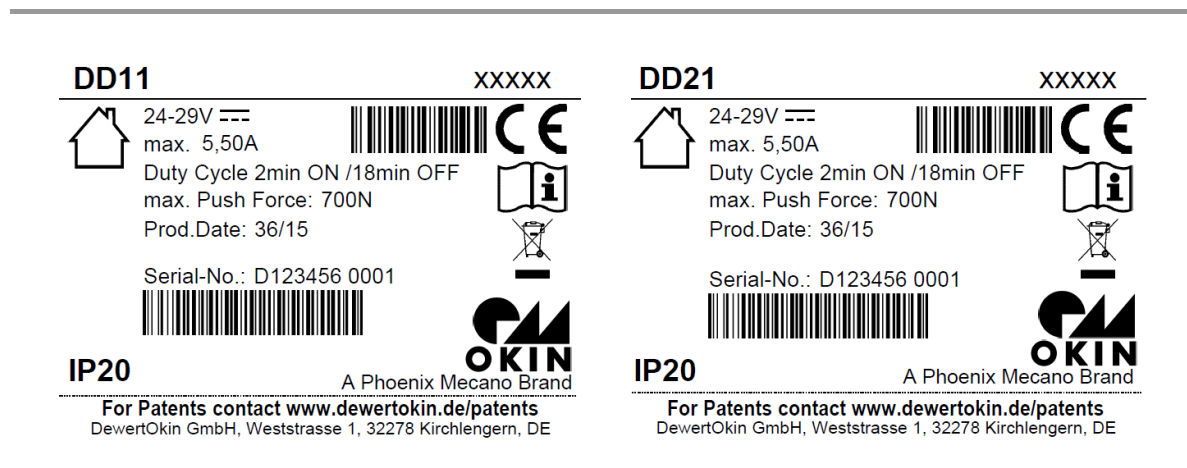


Figure 55 Ratings plate (examples)

| | |
|-----------------------------------|---|
| DD11 / DD21 | Model name |
| xxxxx | Article number |
| 24V – 29V | Input voltage |
| Max. 5.50A | Current consumption |
| Duty cycle: 2 min ON / 18 min OFF | Intermittent operations: 2 minutes / 18 minutes |
| max. Push Force | Push force |
| Prod.date | Production date: Calendar week / year |
| Serial No. | Serial number for your drive |
| IP20 | Protection degree |
| | Use in dry rooms only! |
| | Conformity mark |
| | Follow the special assembly instructions! |
| | Follow all special disposal instructions! |

11.9.5 Ratings plate on the table frame

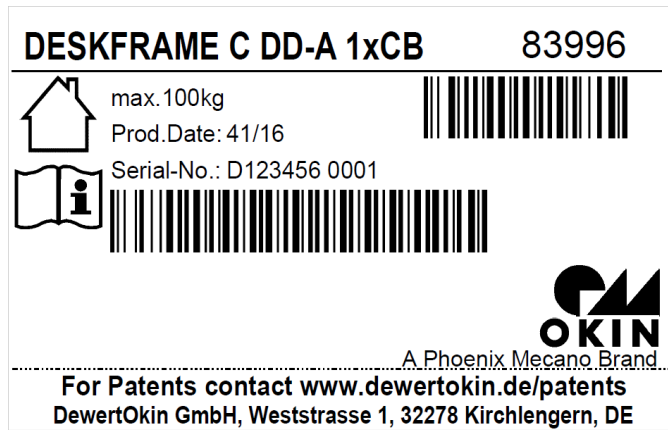




Figure 56 Ratings plate example

| | |
|---|---------------------------------------|
| DESKFRAME C DD-A 1xCB | Model name |
| 83996 | Article number |
| Max. 100kg | Maximum load on table |
| Prod.date | Production date: Calendar week / year |
| Serial No. | Serial number |
|  | Use in dry rooms only! |
|  | Follow special assembly instructions! |

12. Disposal

12.1 Packaging material

The packaging material should be sorted into recyclable components and then disposed of in accordance with the appropriate national environmental regulations (in Germany according to the recycling law KrWG from 01.06.2012; internationally according to the EU Directive 2008/98/EC (Waste Framework Directive WFD as of 12.12.2008)).

12.2 Drive components

The DD11/DD21 system consists of electronic components, cables and metal and plastic parts. You should observe all corresponding national and regional environmental regulations when disposing of the system.

The disposal of the product is regulated in Germany by Elektro-G, internationally by the EU Directive 2011/65/EC (RoHS), or by any applicable national laws and regulations. (The product is not regulated by the EU Directive 2012/19/EC (WEEE).)



The DD11/DD21 system components should not be disposed of with normal household waste!

Declaration of Incorporation/Installation

According to Appendix II of the EU Machinery Directive 2006/42/EC

The manufacturer:
DewertOkin GmbH
Weststraße 1
32278 Kirchlengern
Germany

declares that the incomplete machines described below

DD11 System **DD21 System**

complies with the following basic requirements of the Machinery Directive (2006/42/EC):

Sections: 1.1.3; 1.3.3; 1.3.4; 1.3.7; 1.5.1; 1.5.2; 1.5.5; 1.5.6; 1.5.7; 1.5.8;
1.5.9; 1.5.10; 1.5.13; 1.6.3

According to

- DIN EN 527-1:2011
- DIN EN 527-2:2003
- DIN EN 527-3:2003

You may only operate this incomplete machine after you have confirmed that the end product (into which this machine will be installed) complies with the Machinery Directive 2006/42/EC.

On request, the manufacturer is obliged to send the special documentation accompanying the partially completed machinery in electronic form to the appropriate national institution. The special technical documents corresponding to the machine have been created according to Appendix VII, part B.

The following person is responsible for the technical documentation:

Silvio Wauro,
Address cited above
Phone.: +49 5223 979-0



Kirchlengern, Germany. October 26, 2016

Dr.-Ing. Josef G. Groß
Managing Director

EU Declaration of Conformity

In compliance with Appendix IV of the EMC Directive 2014/30/EU

In compliance with Appendix IV of the LVD Directive 2014/35/EU

In compliance with Appendix VI of the EU RoHS Directive 2011/65/EU

The manufacturer:

DewertOkin GmbH

Weststraße 1

32278 Kirchlengern

Germany

declares that the following products

DD11 System with DewertOkin Drive System¹⁾²⁾

DD21 System with DewertOkin Drive System¹⁾³⁾

meets the requirements of the following EU directives:

Electromagnetic Compatibility Directive 2014/30/EU

Low Voltage Directive 2014/35/EU

RoHS Directive 2011/65/EU of the European Parliament and of the Council of 8 June 2011 on the restriction of the use of certain hazardous substances in electrical and electronic equipment

Applied standards:

- EN 60335-1:2012/A11:2014
- EN 55014-1:2006/A1:2009/A2:2011
- EN 55014-2:1997/A1:2001/A2:2008
- EN 61000-3-2:2014
- EN 61000-3-3:2013
- EN 62233:2008

This declaration of conformity is no longer valid if constructional changes are made which significantly change this drive (i.e., which influence the technical specifications found in the instructions or the intended use)!

Kirchlengern, Germany. October 26, 2016



Dr.-Ing. Josef G. Groß
Managing Director

- 1) DESKFRAME C DD-A, C DD-B with Control Unit: SMART-e (SMART eco), COMPACT-e (COMPACT eco) or COMPACT-e+ (COMPACT eco+)
with Operating Elements: HSCO (1.32.000.087.30), HSU (1.32.000.32.30 or 1.32.000.63.20), HSF (1.32.000.096.30), Motion Assist, Touch Basic IL or Touch Basic DN
- 2) with Lifting Column: DD11
- 3) with Lifting Column: DD21

DewertOkin GmbH
Weststrasse 1
Kirchlengern 32278, Germany
Tel: +49 (0)5223/979-0
Fax.: +49 (0)5223/75182
<http://www.dewertokin.de>
Info@dewertokin.de

ID No.: 82774