

DELTADRIVE

Installation Instructions

(Translation of the original installation instructions)

Foreword

Disclaimer and exclusion of liability

DewertOkin is not responsible for damage resulting from:

- failure to observe these instructions,
- changes made to this product which have not been approved by DewertOkin, or
- the use of replacement parts which have not been approved or manufactured by DewertOkin.

► We reserve the right to make unannounced technical changes in the course of our continual product improvement process!

Creation of a complete operating instruction manual for the entire end product

These instructions are only intended to be used by the end-product manufacturer. They should not be given to the operator of the end product. The factual information contained within may be used as a basis when creating the end-product manual.

The warning and danger notices are best suited for use in the end product's manual. However it is not sufficient to simply follow these notices. You should also carry out an internal risk assessment for your end product. This can then be used as the basis for the safety notices in your manual.

These installation instructions do not contain all information required to safely operate the end product. They only describe the installation and operation of the drive as partially completed machinery.

The instructions are intended for the technicians responsible for manufacturing an end product and not for the operators of the end product.

Table of contents

Foreword	3
Disclaimer and exclusion of liability	3
Creation of a complete operating instruction manual for the entire end product	3
Table of contents	4
1. General Information	5
1.1 Safety notices within the installation instruction and the operating instructions for the entire machine	5
1.2 Conventions used	5
2. Safety Instructions	6
2.1 Proper and Intended Usage	6
2.2 Selection and qualification of personnel	6
2.3 Type plate	7
3. Description	8
3.1 Components	8
4. Technical Specifications	13
5. Installation	16
5.1 Safety notices to observe during installation	16
5.2 Installation procedure	17
6. Note: operating information	21
7. Maintenance and cleaning	22
7.1 Maintenance	22
7.2 Cleaning	22
8. Disposal	23
8.1 Packaging material	23
8.2 Drive components	23
Declaration of incorporation/installation	24
EU Declaration of Conformity	25

1. General Information

These installation instructions must be followed closely in order to install this drive successfully and safely in the end product. These instructions are not an operating manual for the end product.

These instructions will help you to minimize danger. They will also help you to increase the reliability and lifespan of the device.



CAUTION

The notices in these instructions must be followed! Following the guidelines during installation and connection procedures will help to minimize:

- the risk of accident and injury, and
- damage to the drive system or the end product.

These installation instructions have been written with due care and attention. However, we cannot guarantee that the data, images and drawings are complete and correct nor do we accept any liability for the information contained therein, unless required by law.

Availability of this document

As manufacturer of the end product, you are obligated to comply with Machinery Directive 2006/42/EC. This directive stipulates that the installation instructions must be kept on file for governmental inspection purposes.

1.1 Safety notices within the installation instruction and the operating instructions for the entire machine

The manufacturer of the end product is only permitted to operate the DELTADRIVE drive (by itself an incomplete machine)

- when the end product (for which the DELTADRIVE drive is intended) is in compliance with all protective measures specified in the Machinery Directive 2006/42/EC, and
- when the manufacturer expressly declares the compliance of the end product.

The manufacturer of the end product must create a manual for the users of that product. The safety notices in the end-product manual must be written based on the end product's risk assessment.

1.2 Conventions used

Notices which do not relate to safety are indicated in these instructions with a triangle:

- ▶ Triangular notice symbol

Safety notice explanations



CAUTION

CAUTION indicates a hazardous situation which, if not avoided, could result in minor or moderate injury.

NOTICE

NOTICE is used to address practices which are not related to personal injury but may result in damage to the product or surroundings.

2. Safety Instructions

2.1 Proper and Intended Usage

The DELTADRIVE drive is meant to be installed in a furniture product.

- It provides motor adjustment capabilities for movable parts. It should be used in conjunction with suitable fitting brackets and mechanics.
- It can be used for such applications as beds, chairs, and tables.



CAUTION

Risk of accident

This drive should only be used for the applications described above. Any other form of usage is not permitted and can lead to accidents or destruction of the unit. Such non-approved applications will lead immediately to the expiration of all guarantee and warranty claims on the part of the end-product manufacturer against the manufacturer.

Improper usage

Be sure to follow the notices below concerning improper usage. You should include them in your product manual in order to inform the users of your end product.

The DELTADRIVE drive should not be used:

- in any environment where combustible or explosive gases or vapours (e.g., anaesthesiology) may be present,
- in a moist environment,
- outdoors,
- in any application that will be cleaned with an automated washing system.

The DELTADRIVE drive can be used by children of 8 years and older, persons with reduced physical, sensory or mental capabilities, or persons with lack of experience or knowledge when they are supervised or instructed concerning the safe use of the device and when they understand the resulting risks. Do not allow children to play with this device. The cleaning and user maintenance must not be carried out by children without supervision.

- ▶ You should only use spare parts which have been manufactured or approved by DewertOkin. Only these parts will guarantee a sufficient level of safety.

2.2 Selection and qualification of personnel

The installation of the drive in the end product may only be performed by qualified personnel. You should only install this drive when you are qualified to do so. Otherwise, a properly qualified person should be found for this task.

2.3 Type plate

- ▶ The ratings plate shown is an example; the specifications for your drive may differ from this illustration.

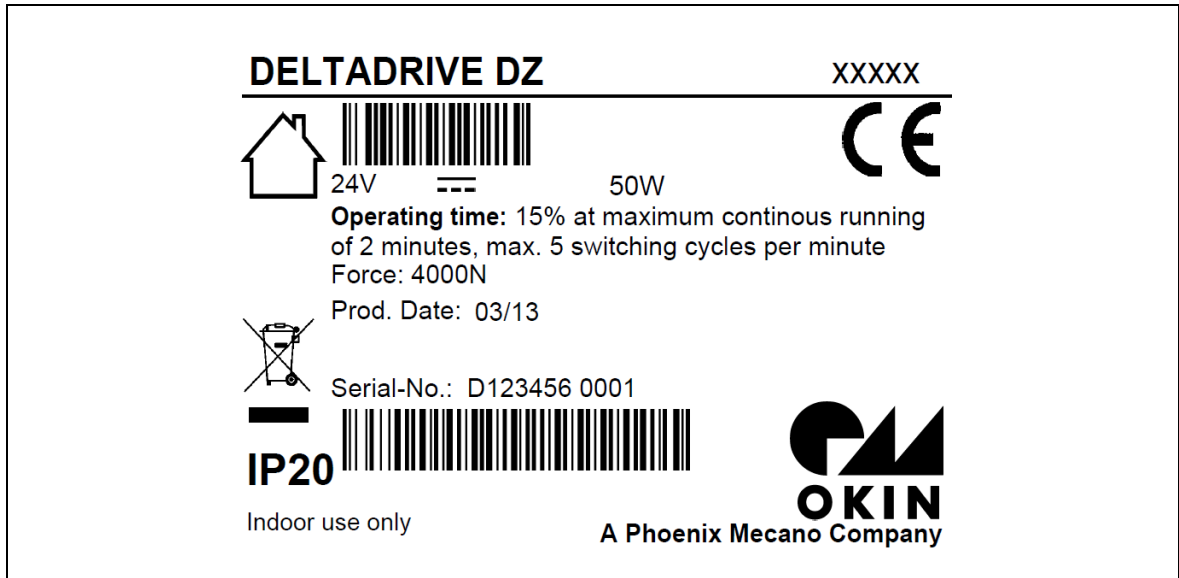






Figure 1 Ratings plate example

DELTADRIVE DZ	Model name
xxxxx	Article number
24V 	Input voltage
50W	Power consumption
Operating time	Mode of operation
Force	Push force
Prod. Date	Calendar week / year
Serial No.	Serial number for your drive
IP20	Protection degree
	Use in dry rooms only!
	Follow all special disposal instructions!
	Mark of CE conformity

3. Description

The DELTADRIVE drive is an electrically driven motor that is responsible for moving the end product in a linear direction. This adjustment is created by the in and out movement of a stroke pipe. The DELTADRIVE drive is controlled using an Okin handset.

The technical specifications for the variants are listed in Chapter 4 "Technical Specifications". The variants differ according to their:

- Working performance,
- Speed,
- Pushing and pulling forces,
- Dimensions and stroke,
- Attachment of the stroke pipe (Refer to section 3.1.3),
- Connection options (Refer to section 3.1.4),

3.1 Components

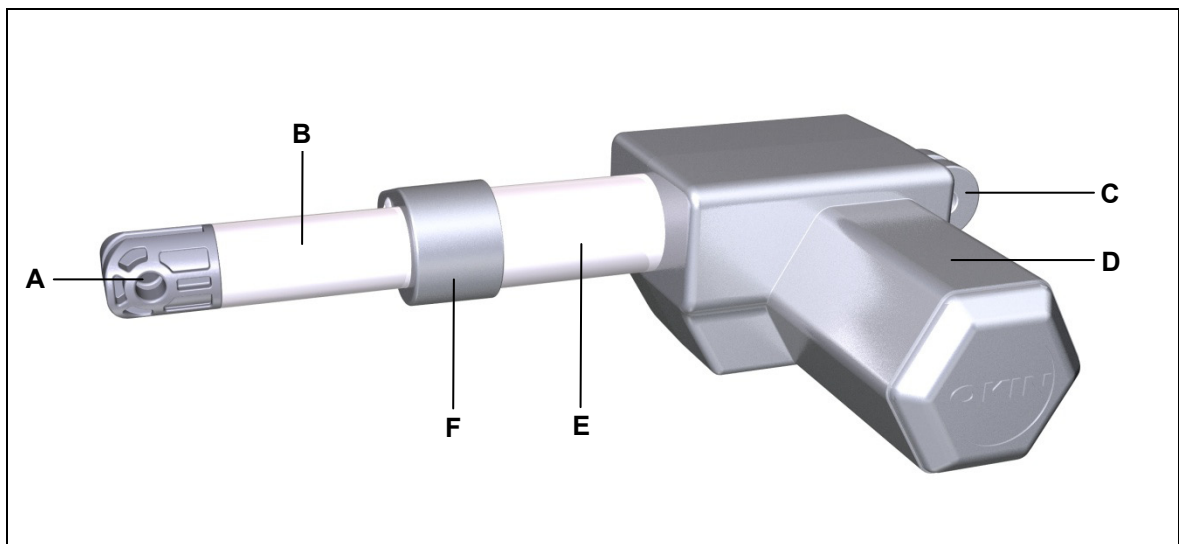


Figure 2 Main components of the DELTADRIVE drive

- | | |
|-----------------------------|-------------------------------|
| A Stroke pipe clevis | B Stroke pipe |
| C Gear clevis | D Drive housing |
| E Guidance profile | F Guidance profile cap |

3.1.1 Stroke pipe clevis variants

There are four stroke pipe clevis variants available for the DELTADRIVE drive:

- Stroke pipe clevis (plastic version),
- Reinforced stroke pipe head (plastic version),
- Stroke pipe head (die-cast version),
- Adapter.

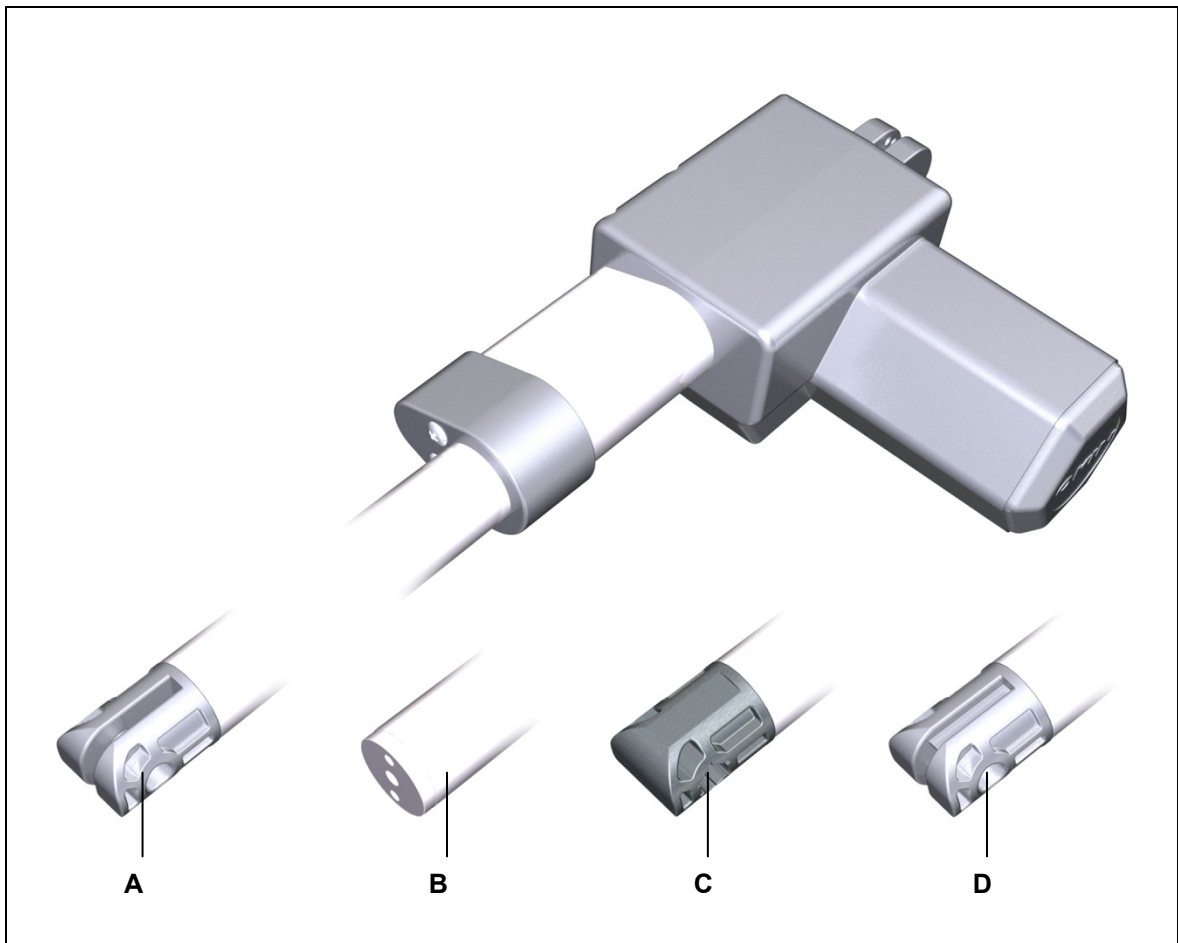


Figure 3 Clevis variants

A Stroke pipe clevis: Normal version

B Adapter

C Head of stroke pipe: Die-cast version

D Head of stroke pipe: Reinforced version

3.1.2 Guidance profile cap variants

There are two guidance profile cap variants available for the DELTADRIVE drive:

- Guidance profile cap (small),
- Guidance profile cap (large, for splash-proof drives)

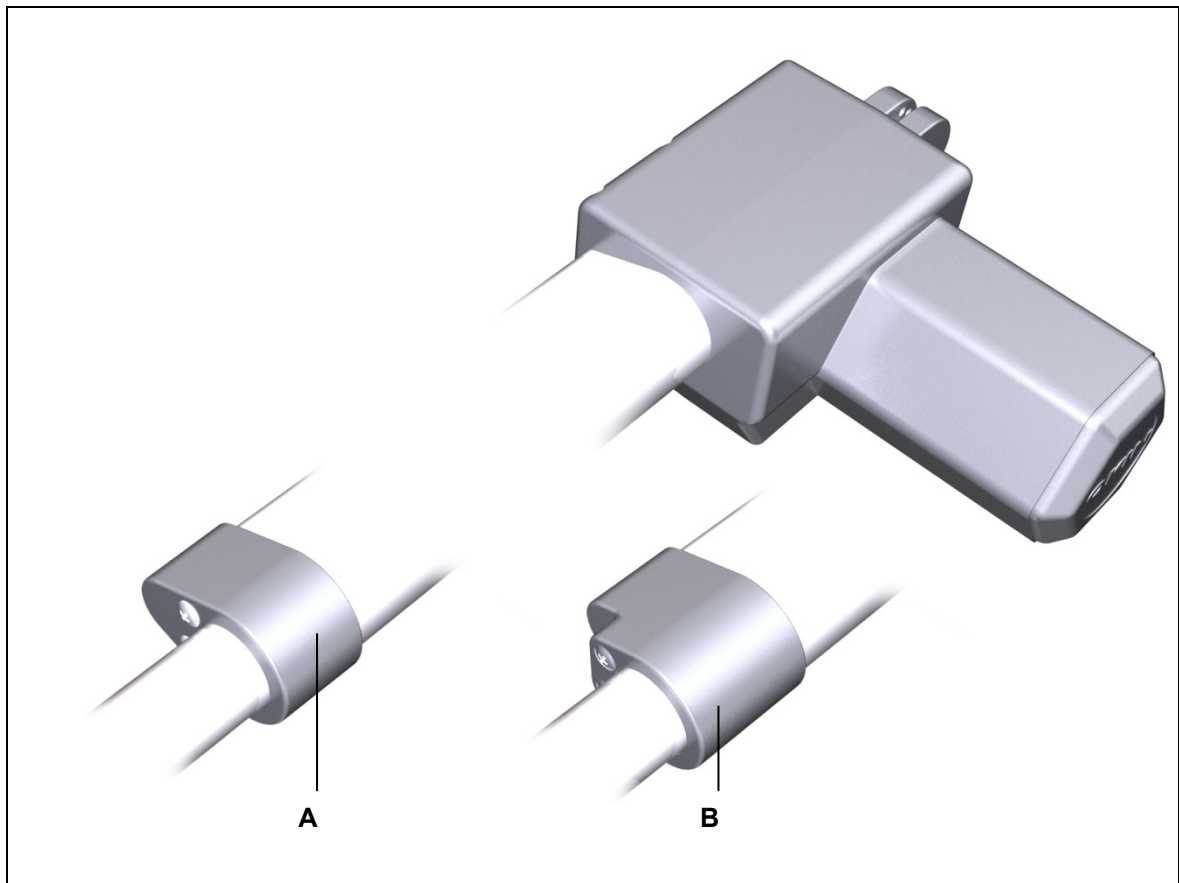


Figure 4 Guidance profile cap variants

A Small guidance profile cap

B Large guidance profile cap

3.1.3 Attachment of the stroke pipe

There are two types of stroke pipes available for different types of applications. The stroke pipe can be screwed onto the spindle screw or it can be mounted unattached. The drive only exerts pushing force when the stroke pipe is mounted loosely (unattached). The motions of the drives for these two versions are shown in the following illustrations.

- ▶ If the stroke pipe is unattached, then the end product must be designed to prevent the stroke pipe from coming out during operations. This can be accomplished by implementing a fixed end-stop mechanism (refer to the "Safety notices to observe during installation" in the "Installation" chapter).

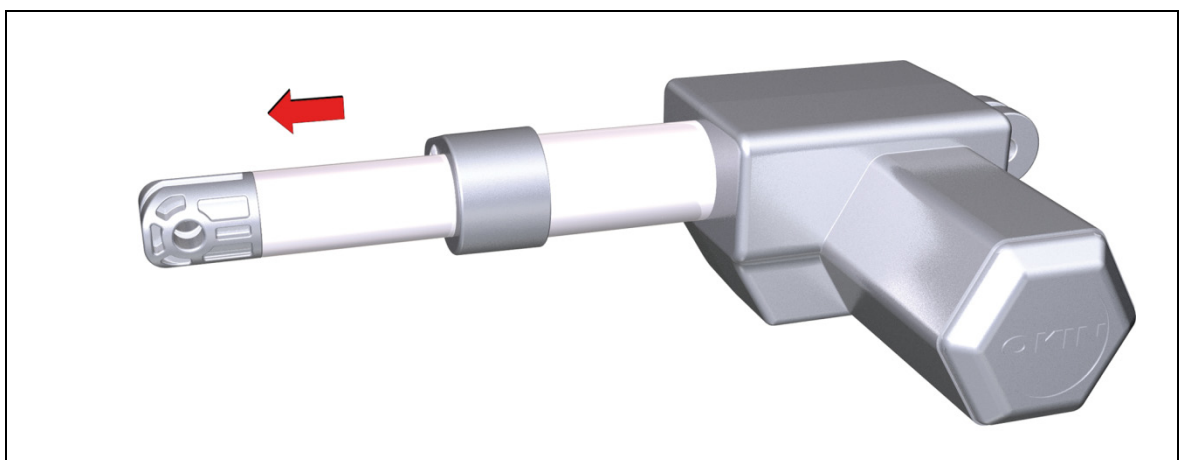


Figure 5 Loose fastening nut (stroke pipe not secured): only pushing forces

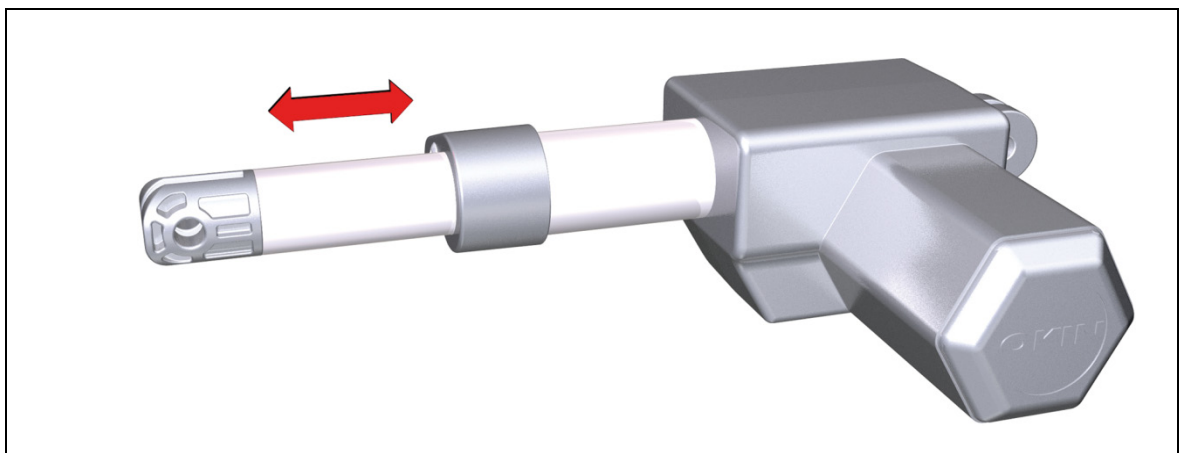


Figure 6 Stroke pipe screwed onto the spindle screw (attached): both pushing and pulling forces

3.1.4 Connection options

There are different power supply options for the DELTADRIVE drive:

- LSP plug,
- 5-pole plug,
- Motor controller cable.

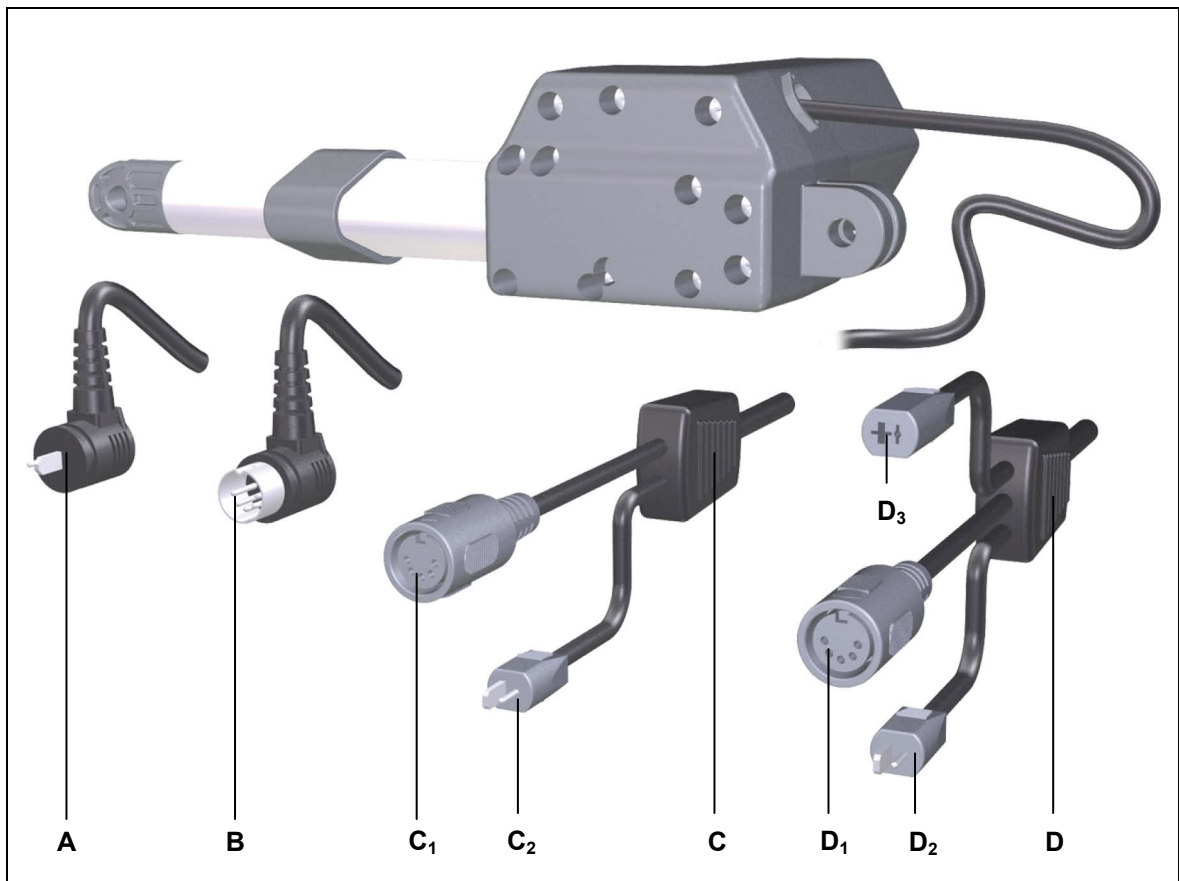


Figure 7 The connector plug and cable versions for the different DELTADRIVE drive types

A LSP plug for the DELTADRIVE

B 5-pole plug for the DELTADRIVE

C Motor controller cable for the DELTADRIVE
D1

D Motor controller cable for the DELTADRIVE
D2

C₁ handset connection

D₁ handset connection

C₂ power supply connection

D₂ power supply connection

D₃ connection for additional slave drive

4. Technical Specifications

Input voltage	24 V DC - 29 V DC
Current consumption at rated load	Max. 4.0 A, depending on version (refer to the ratings plate)
Permitted push force	Max. 6000 N, depending on version (refer to the ratings plate on the drive)
Permitted pull force	Max. 4000 N (depending on version)
Mode of operation ¹ under max. rated load.	10% max. 5 cycles per minute
Protection class	III
Noise level	≤ 65 dB(A)
Drive type	Single drive
Load type	Push / pull
Adjustment speed ²	Up to 44 mm/second, depending on the version
Protection degree	IP20
Stroke	< 500 mm
Colours	Black
Dimensions and weight	
Length x width x height	Min. 211 mm x 182 mm x 83 mm
Weight	Approx. 2.0 kg, depending on version
Ambient conditions for operation, storage and transport	
Transport / storage temperature	From -20 °C to +50 °C From -4 °F to +122 °F
Operating temperature	From +10 °C to +40 °C From +50 °F to +104 °F
Relative humidity	From 30% to 75%
Air pressure	From 800 hPa to 1060 hPa
Height	< 2000 m

¹⁾ Mode of operation: intermittent duty 2 min/18 min. This means that after the unit is operated with its rated load for up to two minutes it must then be paused for 18 minutes. The system can malfunction if this pause is not observed!

²⁾ Adjustment speed: the speed at which the clevis can move under no load (the speed varies depending on the load).

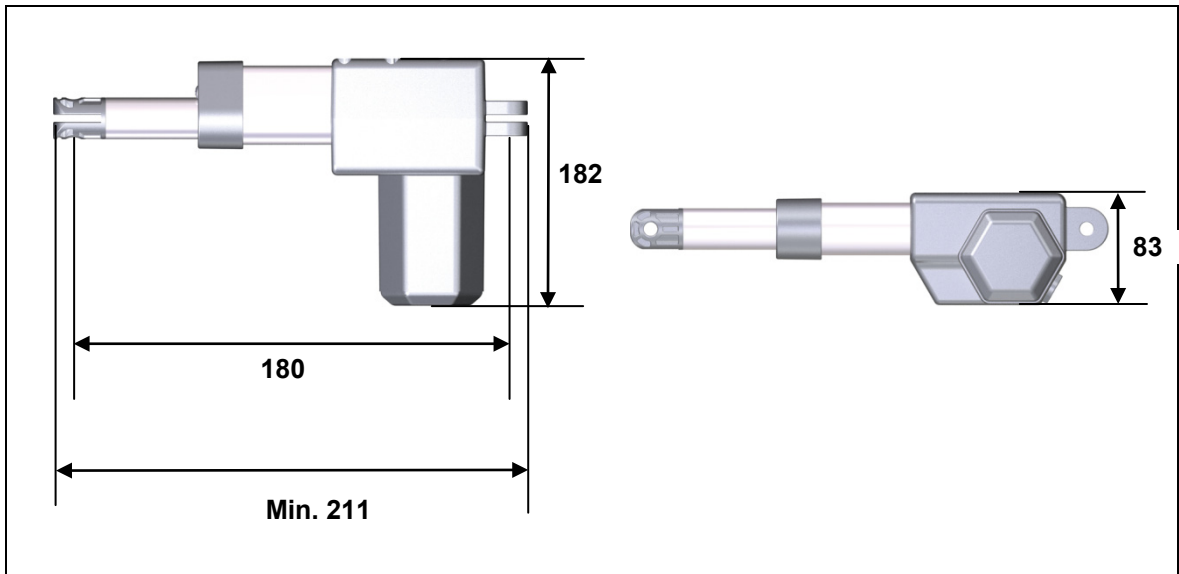


Figure 8 Dimensions of the DELTADRIVE drive with stroke pipe clevis (in mm), minimum installation dimension: 180 mm

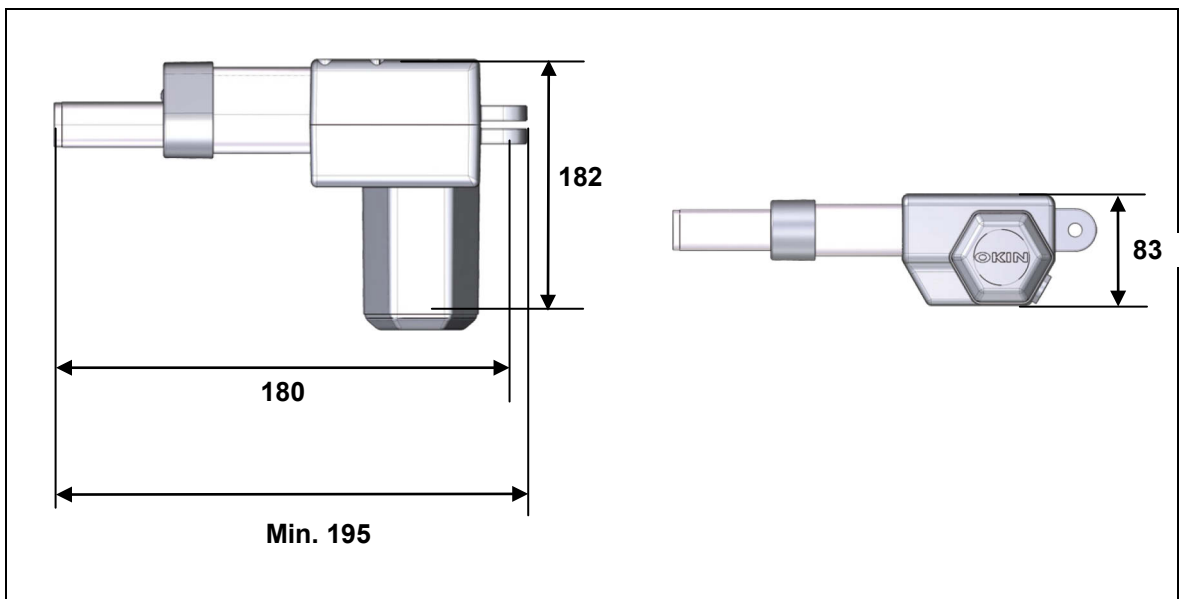


Figure 9 Dimensions of the DELTADRIVE drive with adapter (in mm), minimum installation dimension: 180 mm

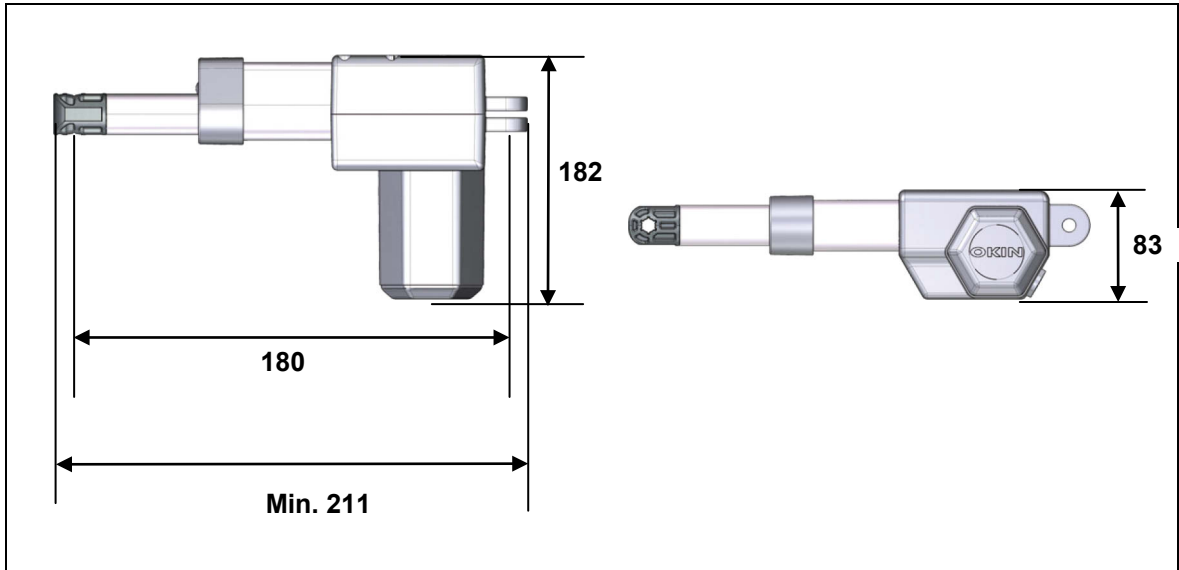


Figure 10 Dimensions of the DELTADRIVE drive with stroke pipe, die-cast version (in mm), minimum installation dimension: 180 mm

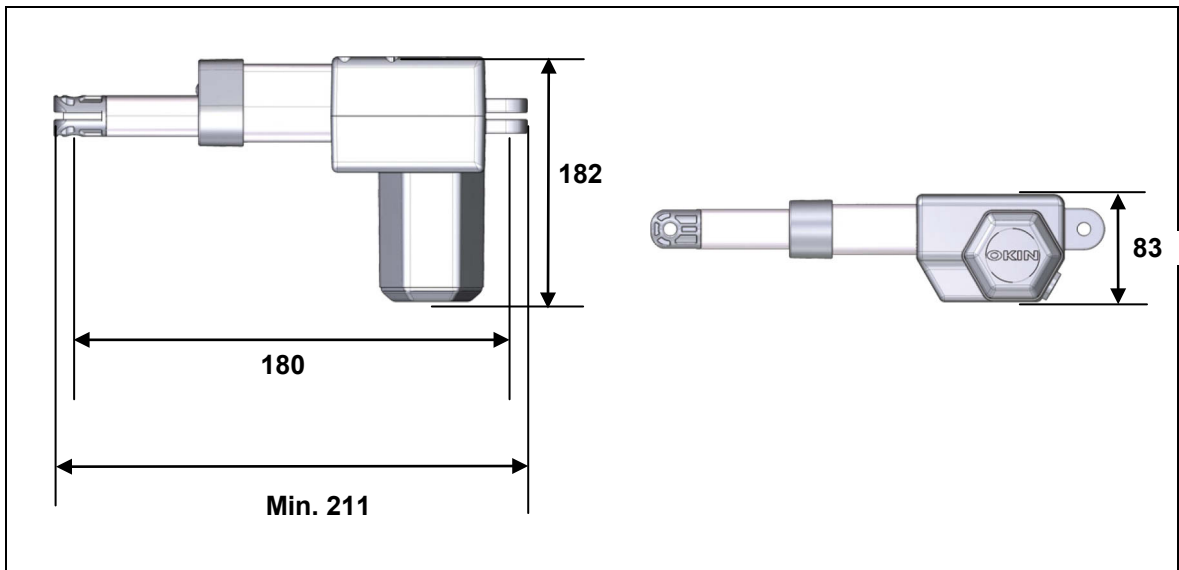


Figure 11 Dimensions of the DELTADRIVE drive with stroke pipe, reinforced version (in mm), minimum installation dimension: 180 mm

5. Installation

5.1 Safety notices to observe during installation

Basic safety rules must be followed in order to ensure that the end product can be continually operated in a safe manner. The following rules must be observed while using the end product and while installing the drive.

Avoiding fatigue fractures

- Install the drive in the end product so that it is properly aligned. This will help prevent shear stress.
- Do not position the drive at a slanted angle when installing it in the end product. A slanted angle between the intended direction of movement of the end product and the drive's direction will create shear stress and could lead to a fatigue fracture.
- Be sure to install the drive so that it can always move freely in all operative states.
- You should never screw the stroke pipe into the drive.

Avoiding an overrun of the stop point with the end product

- ▶ Your end product should contain mechanical end stops. These will limit the drive movement and significantly increase operational safety. DewertOkin recommends that you build such mechanical end stops into your end product.

be sure that your operating instructions inform the user of these points.

5.2 Installation procedure

- ▶ The fitted mounts on the end product should have elongated slots so that the installed position can be adjusted.

5.2.1 An example installation

a) Stroke pipe clevis / Stroke pipe head

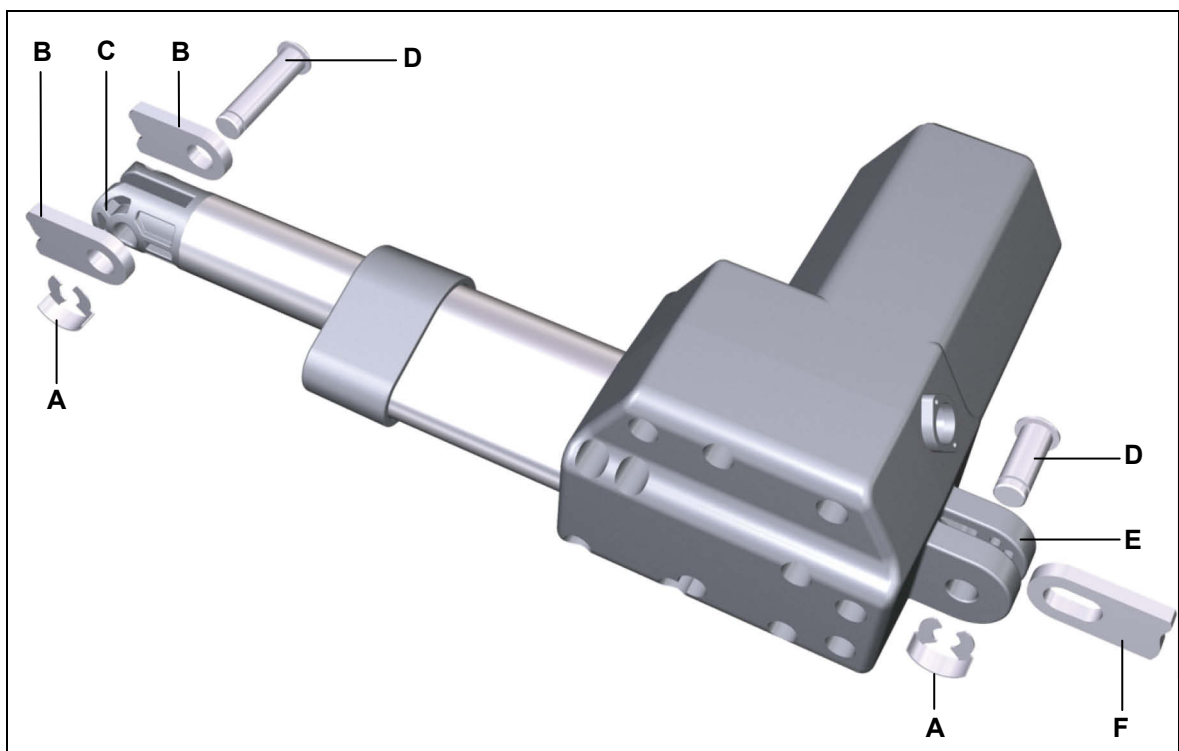


Figure 12 Installing the drive (example)

- | | |
|------------------------------|---|
| A Safety clip | B Bracket for securing the drive (on the stroke pipe side) |
| C Head of stroke pipe | D Mounting bolt |
| E Gear clevis | F Bracket for securing the drive (on the motor side) |

In the following example, installation of the DELTA DRIVE drive into the end product is shown using the mounting bolt.

► Certain details may change as a result of technical changes.

- 1 Push the drive's gear clevis (E) onto the bracket (F).
- 2 Insert the mounting bolt (D) into the bracket (F).
- 3 Secure the mounting bolt (D) with the safety clip (A).

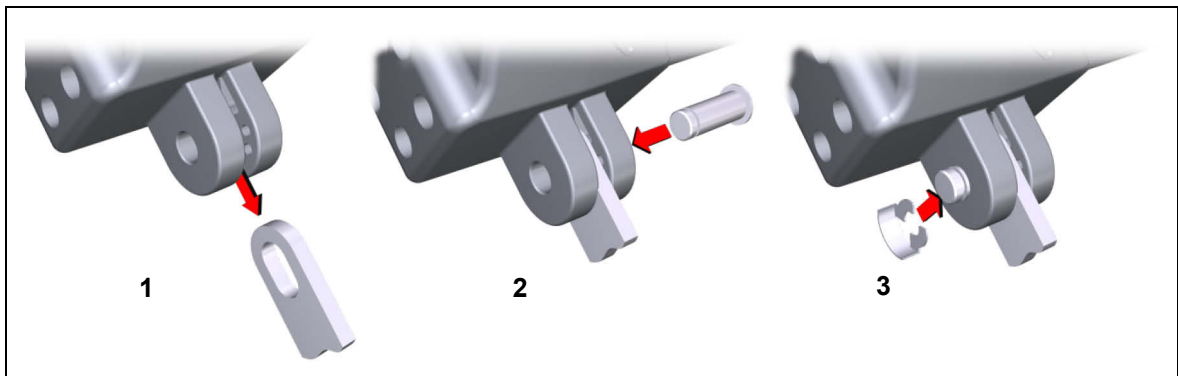


Figure 13 Steps for installing the gear clevis (example)

NOTICE

You should never screw the stroke pipe into the drive. A stroke pipe that has been screwed into the drive can result in fatigue fractures.

- 4 If the stroke pipe clevis (C) does not align exactly with the gear clevis (E), the stroke pipe may be unscrewed out of the drive by no more than a half turn.

NOTICE

The stroke pipe may only be turned one half rotation out of the drive. Do not rotate the stroke pipe further out. An over-rotation can lead to unsafe operations.

- 5 Attach the stroke pipe (C) using a mounting bolt (D) to the fitting (B).
- 6 Secure the mounting bolt (D) with the safety clip (A).
- 7 You may now connect the drive's electrical connection (refer to section 5.2.2).

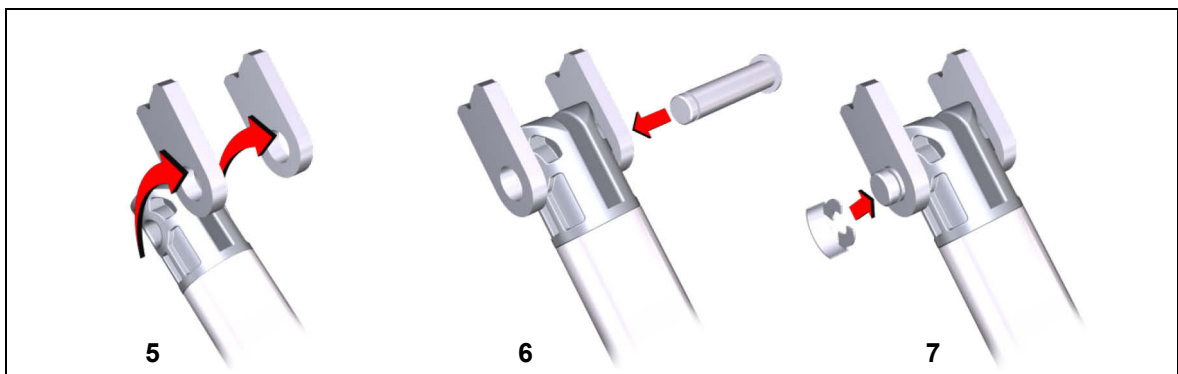


Figure 14 Steps for installing the stroke pipe (example)

b) Adapter

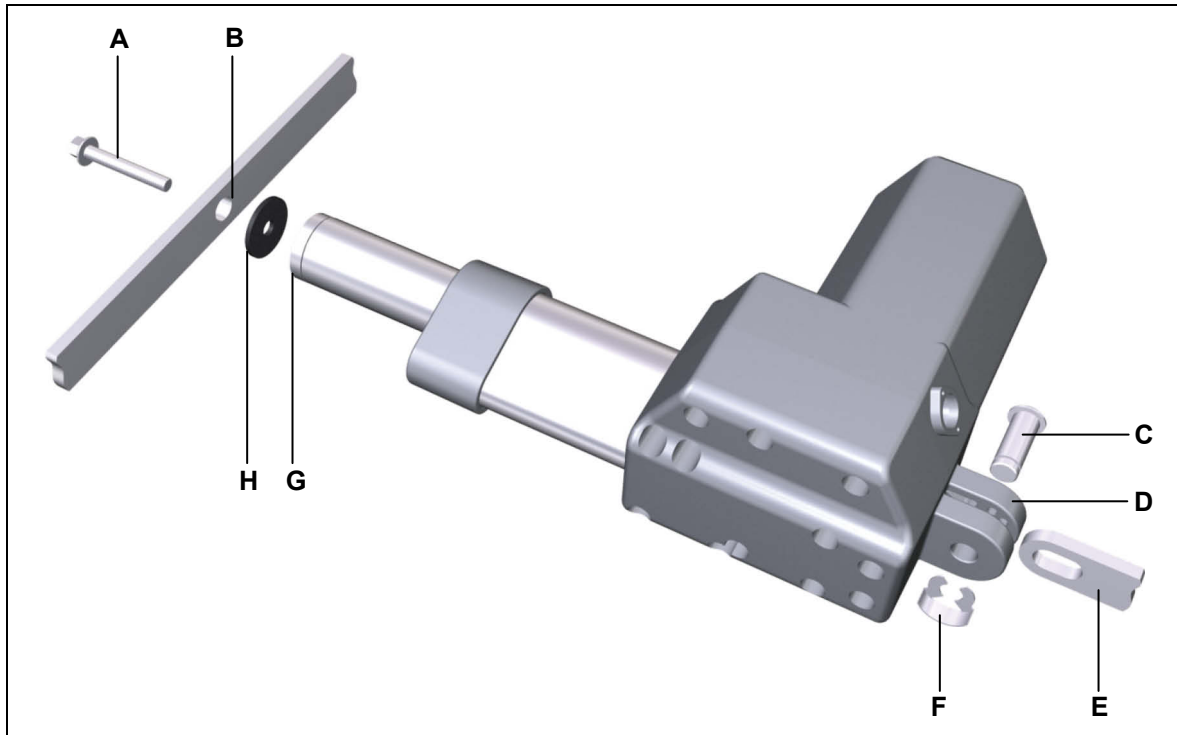


Figure 15 Installing the drive (example)

- | | |
|---|--|
| A Mounting screws (M6) | B Bracket (for stroke pipe side) |
| C Mounting bolt | D Gear clevis |
| E Bracket for securing the drive (on the motor side) | F Safety clip |
| G Adapter | H Dampening rubber (optional, with thickness of 2 mm) |

In the following example, installation of the DELTADRIVE drive with an adapter into the end product is shown.

► Certain details may change as a result of technical changes.

- 1 Push the drive's gear clevis (**D**) onto the bracket (**E**).
- 2 Insert the mounting bolt (**C**) into the bracket (**E**).
- 3 Secure the mounting bolt (**C**) with the safety clip (**F**).
- 4 Attach the adapter (**G**) and the dampening rubber (**H**) using an M6 screw (**A**) to the bracket (**B**). Tighten the screw using a **maximum torque of 6 Nm!**
- 5 You may now connect the drive's electrical connection (refer to section 5.2.2).

5.2.2 Electrical connection



CAUTION

Danger of crushing injury!

The electrical components may be connected or disconnected only when the mains power and the battery plug (when present) are disconnected. This ensures that no uncontrolled movement can be triggered.

- ▶ If the hand switch will be used to control two drives, you must first connect both drives electrically to each other (for example, over a control unit or double drive). Then you can connect the handset.

Routing the electrical cables

When routing the cables, be sure that:

- the cables cannot get jammed,
- no mechanical load (such as pulling, pushing or bending) will be put on the cables,
or
- the cables cannot be damaged in any way.

Fasten all cables (especially the mains cable) to the end product using sufficient strain relief and kink prevention methods. Be sure that the design of the end product prevents the mains cable from coming into contact with the floor during transport.

5.2.3 Dismantling



CAUTION

Danger of crushing injury

- The electrical components may be connected or disconnected only when the mains power and the battery plug (when present) are disconnected. This ensures that no uncontrolled movement can be triggered.
- Be sure to carry out work on the drive in a position so that no loads are bearing on it. Only in this way can you be sure to avoid any risks of crushing or injury.

- 1 Move your product into a position where it is supporting no load.
- 2 If multiple drives are connected electrically they should be disconnected from each other.
- 3 Remove the security clips and the mounting bolt.

6. Note: operating information

The installation instructions do not contain all information required for the safe operation of the end product. They only describe the installation and operation of the drive as components (as defined in the Machinery Directive as a "partially assembled piece of machinery").

Power-on time / intermittent operations

NOTICE

The DELTADRIVE drive has been designed for intermittent operations. Intermittent operation is an operational mode where the drive must pause after a specified maximum period of operation (power-on time). The drive can overheat when these pauses are not maintained.

The DELTADRIVE drive must operate with an intermittent duty of 2 min/18 min. This means that after the unit is operated with its rated load for up to two minutes it must then be paused for 18 minutes.

Shutting off the drive

In order to shut off the drive, unplug the mains power plug and the battery plug (when present)! The power plug must always be accessible during operations so that emergency shut-off is possible.

Avoiding cable damage

Be sure that your operating instructions inform the user about the possible cable risks.

NOTICE

The cables (in particular the electrical connection for the drive and the power supply cable for the drive system) must not be squashed or crushed. In order to prevent damage to the drive, no mechanical strain should be placed on the cables.

7. Maintenance and cleaning

7.1 Maintenance

- ▶ The DELTADRIVE drive is maintenance free.

7.2 Cleaning

- ▶ Clean the DELTADRIVE drive as needed using a dry cloth.

NOTICE

- Always disconnect the mains power plug from the drive system (and the battery plug if present) before you start to clean the unit!
- Never clean the drive in an automated washing system or with a high-pressure cleaner. Do not allow fluids to penetrate the drive. Damage to the system could result.
- Do not use a cleanser that contains benzene, alcohol or similar solvents.
- Make sure that you do not damage the drive's connecting cable.

8. Disposal

8.1 Packaging material

The packaging material should be sorted into recyclable components and then disposed of in accordance with the appropriate national environmental regulations (in Germany according to the recycling law KrWG from 01.06.2012; internationally according to the EU Directive 2008/98/EC (Waste Framework Directive WFD as of 12.12.2008)).

8.2 Drive components

The DELTA DRIVE drive consists of electronic components, cables and metal and plastic parts. You should observe all corresponding national and regional environmental regulations when disposing of the DELTA DRIVE drive.

The disposal of the end product is regulated in Germany by Elektro-G, internationally by the EU Directive 2012/19/EC (WEEE), or by any applicable national laws and regulations.



The DELTA DRIVE drive should not be disposed of with normal household waste!

Einbauerklärung

nach Anhang II der EU-Maschinenrichtlinie
2006/42/EG

Der Hersteller

Declaration of Incorporation

*According to Appendix II of the EU Machinery
Directive 2006/42/EC*

The manufacturer:

DewertOkin GmbH
Weststraße 1
32278 Kirchlengern
Deutschland - Germany

erklärt hiermit, dass nachstehend beschriebene
unvollständigen Maschinen

*declares that the incomplete machines described
below*

DELTADRIVE DZ DELTADRIVE DS1 DELTADRIVE DS2

die folgenden grundlegenden Anforderungen der
Richtlinie Maschinen (2006/42/EG) erfüllt:

*complies with the following basic requirements of the
Machinery Directive (2006/42/EC):*

Abschnitt:

Sections:

1.1.3; 1.3.3; 1.3.4; 1.3.7; 1.5.1; 1.5.2; 1.5.5; 1.5.6; 1.5.7; 1.5.8; 1.5.9; 1.5.10; 1.5.13

Die unvollständige Maschine darf erst dann in Be-
trieb genommen werden, wenn festgestellt wurde,
dass die Maschine, in die die unvollständige Ma-
schine eingebaut werden soll, den Bestimmungen
der Richtlinie Maschinen (2006/42/EG) entspricht.

*You may only operate this incomplete machine after
you have confirmed that the end product (into which
this machine will be installed) complies with the
Machinery Directive 2006/42/EC.*

Der Hersteller verpflichtet sich, die speziellen Unter-
lagen zur unvollständigen Maschine einzelstaatli-
chen Stellen auf begründetes Verlangen elektronisch
zu übermitteln. Die zur Maschine gehörenden
speziellen technischen Unterlagen nach Anhang VII
Teil B wurden erstellt.

*On reasonable request, the manufacturer is obliged
to send the special documentation accompanying the
partially completed machinery in electronic form to
the appropriate national institution. The special
technical documents corresponding to the machine
have been created according to Appendix VII, part B.*

Für die Zusammenstellung der technischen Unter-
lagen ist bevollmächtigt: DewertOkin GmbH
Weststraße 1
32278 Kirchlengern
Tel.: 05223 979-0
Deutschland - Germany

*For preparation of the technical documentation is
authorized:* DewertOkin GmbH
Weststraße 1
32278 Kirchlengern
Tel.: 05223 979-0
Deutschland - Germany

Kirchlengern, Germany 25 November 2019



Dr.-Ing. Josef G. Groß
Geschäftsführer / Managing Director

EG-Konformitätserklärung

Nach Anhang IV der EMV-Richtlinie 2014/30/EU

Nach Anhang IV der EU-Niederspannungsrichtlinie 2014/35/EU

Nach Anhang VI der RoHS-Richtlinie 2011/65/EU (inkl. Delegierte Richtlinie (EU) 2015/863)

Der Hersteller

EU Declaration of Conformity

In compliance with Appendix IV of the EMC-Directive 2014/30/EU

In compliance with Appendix IV of the LVD-Directive 2014/35/EU

In compliance with Appendix VI of the EU RoHS Directive 2011/65/EU (incl. Commission delegated Directive (EU) 2015/863)

The manufacturer

DewertOkin GmbH
Weststraße 1
32278 Kirchlegern
Deutschland - Germany

erklärt hiermit, dass das Produkt

declares that the following product

DELTADRIVE DZ
DELTADRIVE DS1
DELTADRIVE DS2

mit OKIN Steuerung / with OKIN control unit

die Anforderungen folgender EG-Richtlinien erfüllt:

meets the requirements of the following EU directives:

Richtlinie über elektromagnetische Verträglichkeit 2014/30/EU

Electromagnetic Compatibility Directive 2014/30/EU

Niederspannungsrichtlinie 2014/35/EU

Low Voltage Directive 2014/35/EU

DELEGIERTE RICHTLINIE (EU) 2015/863 DER KOMMISSION vom 31. März 2015 zur Änderung von Anhang II der Richtlinie 2011/65/EU des Europäischen Parlaments und des Rates hinsichtlich der Liste der Stoffe, die Beschränkungen unterliegen.

COMMISSION DELEGATED DIRECTIVE (EU) 2015/863 of 31 March 2015 amending Annex II to Directive 2011/65/EU of the European Parliament and of the Council as regards the list of restricted substances.

Angewendete Normen

Applied standards:

- EN 60335-1:2012/A11:2014
- EN 55014-1:2006/A1:2009/A2:2011
- EN 55014-2:1997/A1:2001/A2:2008
- EN 61000-3-2:2014
- EN 61000-3-3:2013
- EN 62233:2008

Konstruktive Änderungen, die Auswirkungen auf die in der Montageanleitung angegebenen technischen Daten und den bestimmungsgemäßen Gebrauch haben, das Produkt also wesentlich verändern, machen diese Konformitätserklärung ungültig!

This declaration of conformity is no longer valid if constructional changes are made which significantly change the drive system (i.e., which influence the technical specifications found in the instructions or the intended use)!

Kirchlegern, Germany 25 November 2019



Dr.-Ing. Josef G. Groß
Geschäftsführer / Managing Director

DewertOkin GmbH
Weststraße 1
Kirchlengern 32278, Germany
Tel: +49(0)5223/979-0
Fax.: +49 0 522375182
<http://www.dewertokin.de>
Info@dewertokin.de

ID No.: 75143