

ECO BETADRIVE ECO

Installation Instructions

(Translation of the original installation instructions)

Foreword

Document revision history

Version	Date	Modification, change
1.0	03/2015	
2.0	04/2018	Fixing screws defined
3.0	07/2019	Ratings plate, disposal, graphics (insatallation), technical specifications,

Disclaimer and exclusion of liability

DewertOkin is not responsible for damage resulting from:

- failure to observe these instructions,
- changes made to this product which have not been approved by DewertOkin, or
- the use of replacement parts which have not been approved or manufactured by DewertOkin.

We reserve the right to make unannounced technical changes in the course of our continual product improvement process!

Creation of a complete operating instruction manual for the entire end product

These instructions are only intended to be used by the end-product manufacturer. They should not be given to the operator of the end product. The factual information contained within may be used as a basis when creating the end-product manual.

The warning and danger notices are best suited for use in the end product's manual. However it is not sufficient to simply follow these notices. You should also carry out an internal risk assessment for your end product. This can then be used as the basis for the safety notices in your manual.

These installation instructions do not contain all information required to safely operate the end product. They only describe the installation and operation of the drive as partially completed machinery.

The instructions are intended for the technicians responsible for manufacturing an end product and not for the operators of the end product.

Notice for customers in EU nations

German Inspection Authority (TÜV SÜD Product Service) testing label

The construction of the ECO BETADRIVE ECO drive has been inspected by the German TÜV SÜD Product Service Inspection Authority. TÜV SÜD Product Service also monitors the production of the ECO BETADRIVE ECO. The official German TÜV SÜD Product Service certifies this construction inspection and production monitoring.



Figure 1 TÜV SÜD Product Service Safety Mark

Table of contents

Foreword	3
Document revision history	3
Disclaimer and exclusion of liability	3
Creation of a complete operating instruction manual for the entire end product	3
Notice for customers in EU nations	3
Table of contents	4
1. General Information	5
1.1 Configurations	5
1.2 About these installation instructions	5
1.3 Safety notices within the installation instruction and the operating instructions for the entire machine	5
1.4 Conventions used	6
2. Safety Instructions	7
2.1 Proper and Intended Usage	7
2.2 Selection and qualification of personnel	7
2.3 Ratings plate	8
3. Description	9
3.1 Components	9
3.2 Installation options for the end product	10
4. Technical Specifications	13
5. Installation	15
5.1 Safety notices to observe during installation	15
5.2 Installation procedure	16
6. Note: Operating information	19
7. Maintenance and cleaning	20
7.1 Maintenance	20
7.2 Cleaning	20
8. Disposal	21
8.1 Packaging material	21
8.2 Drive components	21
Declaration of incorporation/installation	22
EU Declaration of Conformity	23

1. General Information

1.1 Configurations

The ECO BETADRIVE ECO drive is run in several different configurations. The ECO BETADRIVE ECO name, as used here, also includes:

- ECO BETADRIVE ECO-BZ
- ECO BETADRIVE ECO-BS1
- ECO BETADRIVE ECO-BS2

1.2 About these installation instructions

These installation instructions must be followed closely in order to install this drive successfully and safely in the end product. These instructions are not an operating manual for the end product.

These instructions will help you to minimize danger. They will also help you to increase the reliability and lifespan of the device.



CAUTION

The notices in these instructions must be followed! Following the guidelines during installation and connection procedures will help to minimize:

- the risk of accident and injury, and
- damage to the drive system or the end product.

These installation instructions have been written with due care and attention. However, we cannot guarantee that the data, images and drawings are complete and correct nor do we accept any liability for the information contained therein, unless required by law.

Availability of this document

As manufacturer of the end product, you are obligated to comply with Machinery Directive 2006/42/EC. This directive stipulates that the installation instructions must be kept on file for governmental inspection purposes.

1.3 Safety notices within the installation instruction and the operating instructions for the entire machine

The manufacturer of the end product is only permitted to operate the ECO BETADRIVE ECO (by itself an incomplete machine)

- when the end product (for which the ECO BETADRIVE ECO is intended) is in compliance with all protective measures specified in the Machinery Directive 2006/42/EC, and
- when the manufacturer expressly declares the compliance of the end product.

The manufacturer of the end product must create a manual for the users of that product. The safety notices in the end-product manual must be written based on the end product's risk assessment.

1.4 Conventions used

Notices which do not relate to safety are indicated in these instructions with a triangle:

- ▶ Triangular notice symbol

Safety notice explanations



CAUTION

CAUTION indicates a hazardous situation which, if not avoided, could result in minor or moderate injury.

NOTICE

NOTICE is used to address practices which are not related to personal injury but may result in damage to the product or surroundings.

2. Safety Instructions

2.1 Proper and Intended Usage

The ECO BETADRIVE ECO is meant to be installed in a furniture product.

- It provides motor adjustment capabilities for movable parts. It should be used in conjunction with suitable fitting brackets and mechanics.
- It can be used for such applications as beds and chairs.



CAUTION

Risk of accident

This drive should only be used for the applications described above. Any other form of usage is not permitted and can lead to accidents or destruction of the unit. Such non-approved applications will lead immediately to the expiration of all guarantee and warranty claims on the part of the end-product manufacturer against the manufacturer.

Improper usage

Be sure to follow the notices below concerning improper usage. You should include them in your product manual in order to inform the users of your end product.

The ECO BETADRIVE ECO should not be used:

- in any environment where combustible or explosive gases or vapours (e.g., anaesthesiology) may be present,
- with pulling or pushing forces that exceed those specified on the ratings plate,
- in a moist environment,
- outdoors,
- in any application that will be cleaned with an automated washing system.

The ECO BETADRIVE ECO drive can be used by children of 8 years and older, persons with reduced physical, sensory or mental capabilities, or persons with lack of experience or knowledge when they are supervised or instructed concerning the safe use of the device and when they understand the resulting risks. Do not allow children to play with this device. The cleaning and user maintenance must not be carried out by children without supervision.

- ▶ You should only use spare parts which have been manufactured or approved by DewertOkin. Only these parts will guarantee a sufficient level of safety.

2.2 Selection and qualification of personnel

The installation of the drive in the end product may only be performed by qualified personnel.

2.3 Ratings plate

- ▶ The ratings plate shown is an example; the specifications for your drive may differ from this illustration.

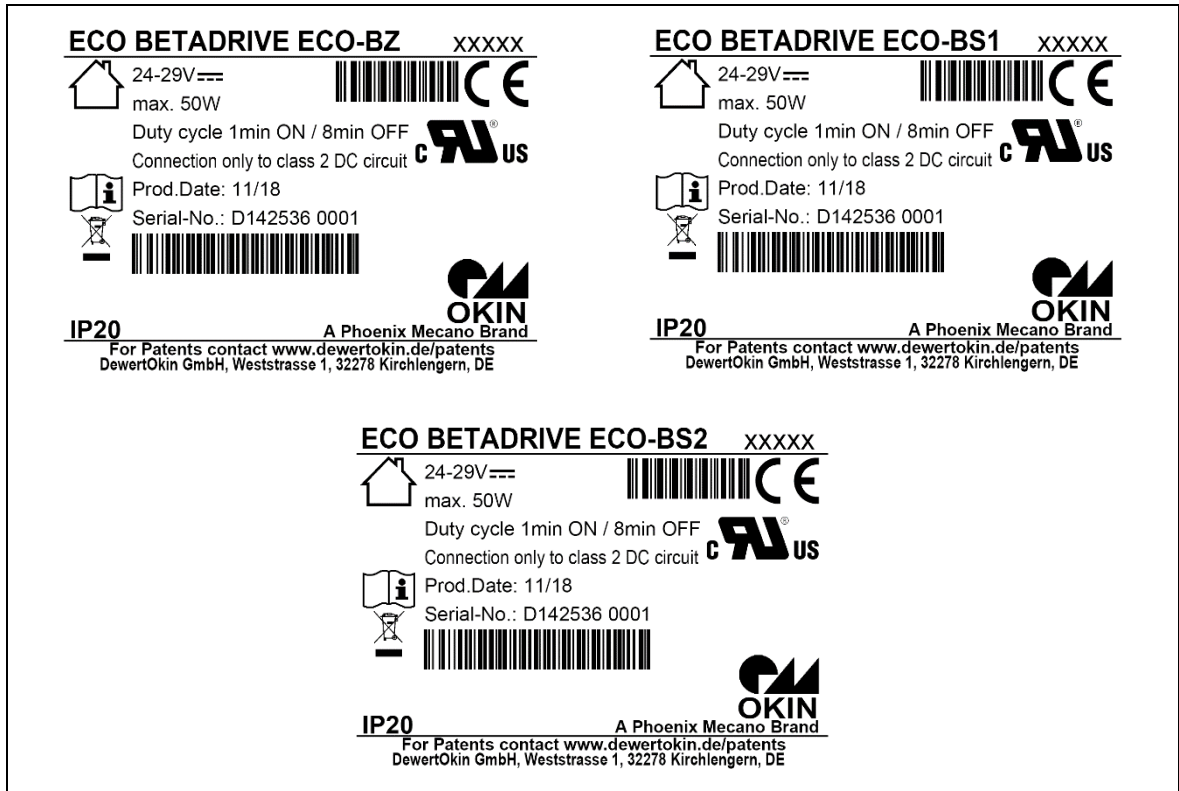






Figure 2 Ratings plate example

ECO BETADRIVE ECO-BZ	
ECO BETADRIVE ECO-BE1	Model name
ECO BETADRIVE ECO-BE2	
xxxxx	Article number
24-29V $\overline{\text{---}}$	Input voltage
max. 50W	Power consumption
Duty cycle: 1 min ON / 8 min OFF	Mode of operation
Prod. Date	Calendar week / year
Serial-No.	Serial number for your drive
IP20	Protection degree
	Use in dry rooms only!
	Follow all special disposal instructions!
	Mark of CE conformity
	Mark of Underwriters Laboratories (UL)

3. Description

The ECO BETADRIVE ECO is an electrically driven motor that is responsible for moving the end product in a linear direction. This adjustment is created by the up and down movement of a actuating block. The ECO BETADRIVE ECO is controlled using an Okin handset.

The technical specifications for the variants are listed in Chapter 4 **Fehler! Verweisquelle konnte nicht gefunden werden.** "Technical Specifications". The variants differ according to their:

- Working performance,
- Speed,
- Pushing and pulling forces,
- Dimensions and stroke,
- Connection variants (refer to section 3.2.3)

3.1 Components

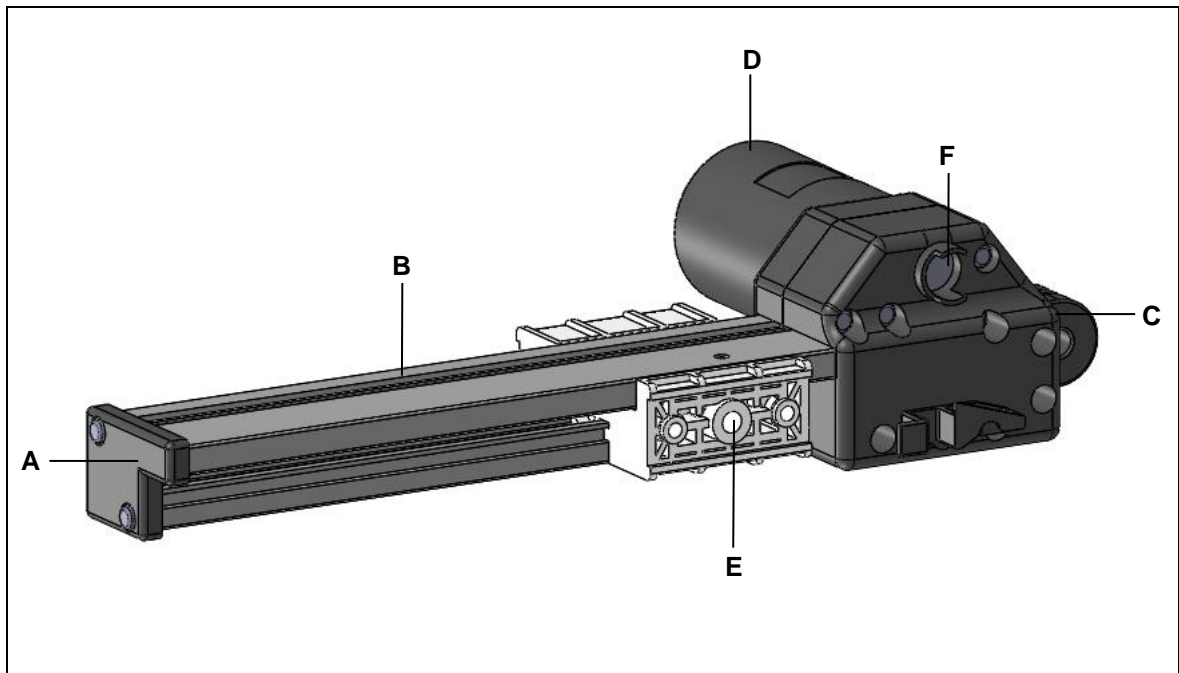


Figure 3 Main components of the ECO BETADRIVE ECO

- | | |
|--------------------------|---------------------------------------|
| A Profile cap | B Guidance profile |
| C Gear clevis | D Drive housing |
| E Actuating block | F Optional: Socket for handset |

3.2 Installation options for the end product

3.2.1 Installation for the guidance profile

For the ECO BETADRIVE ECO, there are two installation options for the guidance profile:

- Profile cap
- Profile cap and mounting bracket

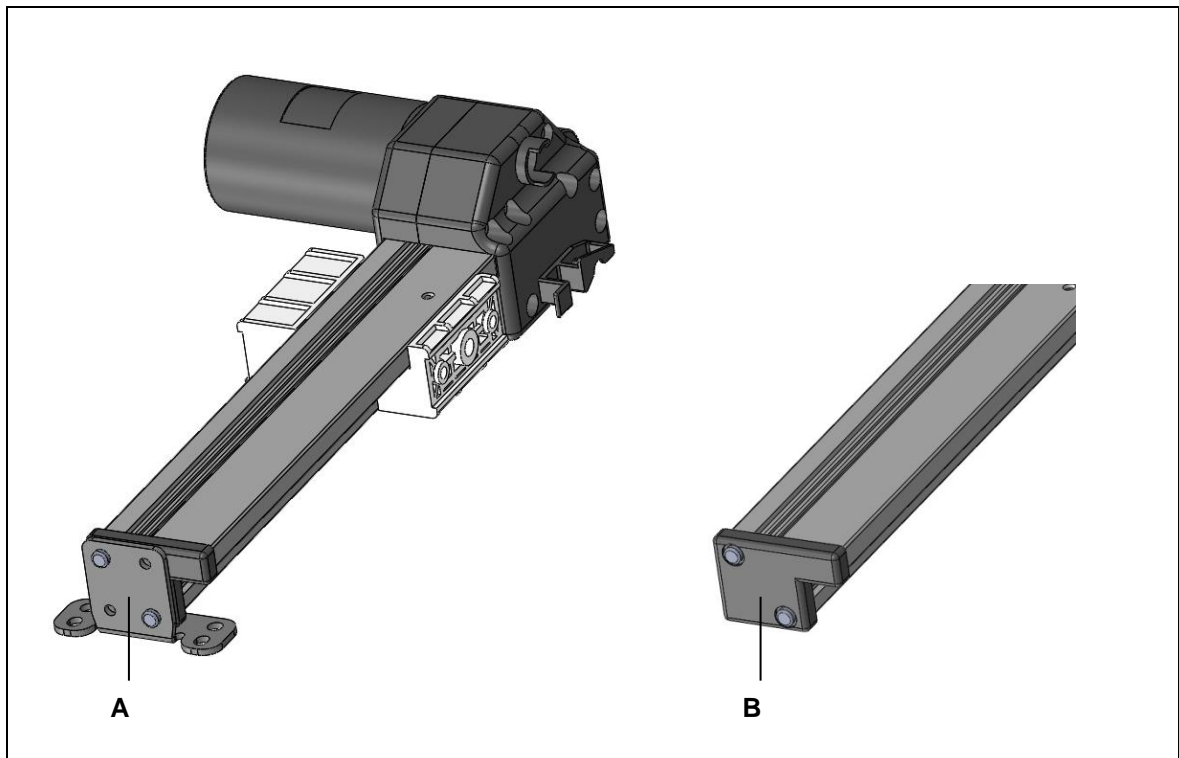


Figure 4 Installation options on the guidance profile

A Profile cap with screwed mounting bracket on the ECO BETADRIVE ECO

B Profile cap

3.2.2 Installation at the motor housing

For the ECO BETADRIVE ECO, there are two installation options for the motor housing:

- Clevis
- Clevis and mounting bracket

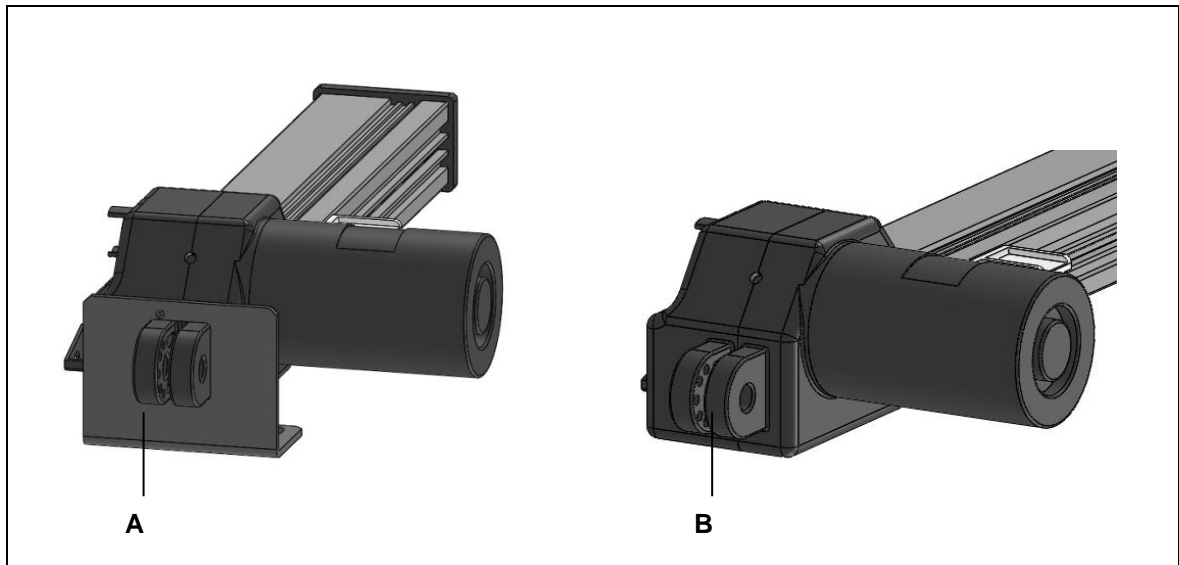


Figure 5 Installation options at the motor housing

- A** Clevis with screwed mounting bracket on the ECO BETADRIVE ECO **B** Clevis

3.2.3 Connection options

There are different power supply options for the ECO BETADRIVE ECO:

- LSP plug,
- 5-pole plug,
- Motor controller cable.

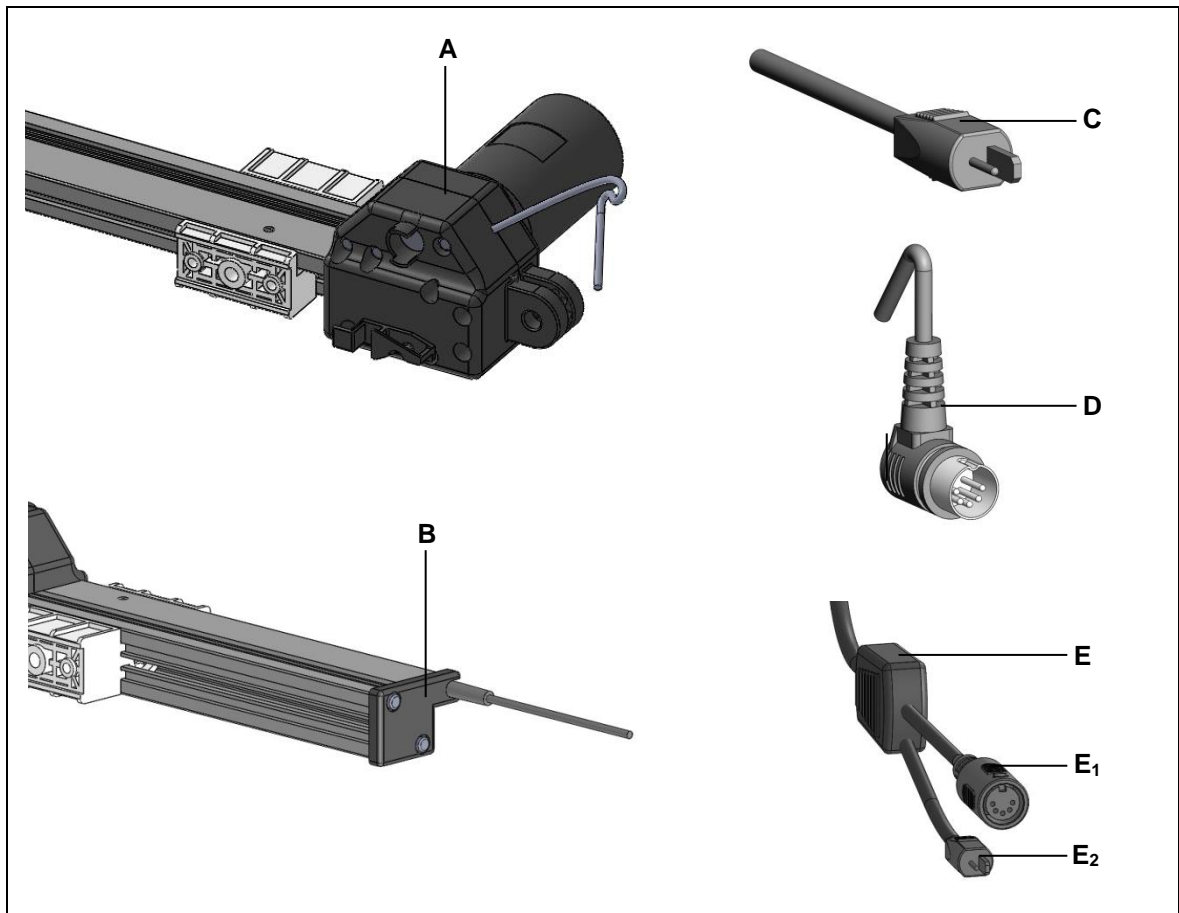


Figure 6 Connection options

- | | |
|--|--|
| A Connection at the side of the motor housing | B Connection at the side of the profile cap |
| C LSP plug | D 5-pole plug |
| E Motor controller cable | |
| E₁ Handset connection | |
| E₂ Power supply connection | |

4. Technical Specifications

Input voltage	24 V DC - 29 V DC
Current consumption at rated load	max. 4.0 A, depending on version (refer to the ratings plate)
Permitted push force	max. 1500 N, depending on version (refer to the ratings plate)
Permitted pull force	max. 1500 N depending on version
Mode of operation ¹⁾ under max. rated load	Intermittent duty 1 min ON / 8 min OFF
Protection class ²⁾	III
Noise level	≤ 65 dB(A)
Drive type	Push / pull
Belastungsart	Druck; Zug
Adjustment speed ³⁾	up to 44 mm/second, depending on the version
Protection degree	IP20
Stroke	< 500 mm
Colours	Black
Dimensions and weight	
Length x width x height	max. 720 mm x 177 mm x 81 mm
Weight	approx. 2.0 kg, depending on version
Ambient conditions for operation, storage and transport	
Transport / storage temperature	from -20 °C to +50 °C from -4 °F to +122 °F
Operating temperature	from +10 °C to +40 °C from +50 °F to +104 °F
Relative humidity	from 30% to 75%
Air pressure	from 800 hPa to 1060 hPa
Height	< 2000 m

- ¹⁾ Mode of operation: intermittent duty 1 min/ 8 min. This means that after the unit is operated with its rated load for up to one minutes it must then be paused for 8 minutes. The system can malfunction if this pause is not observed!
- ²⁾ Safety extra low voltage
- ³⁾ Adjustment speed: the speed at which the clevis can move under no load (the speed varies depending on the load).

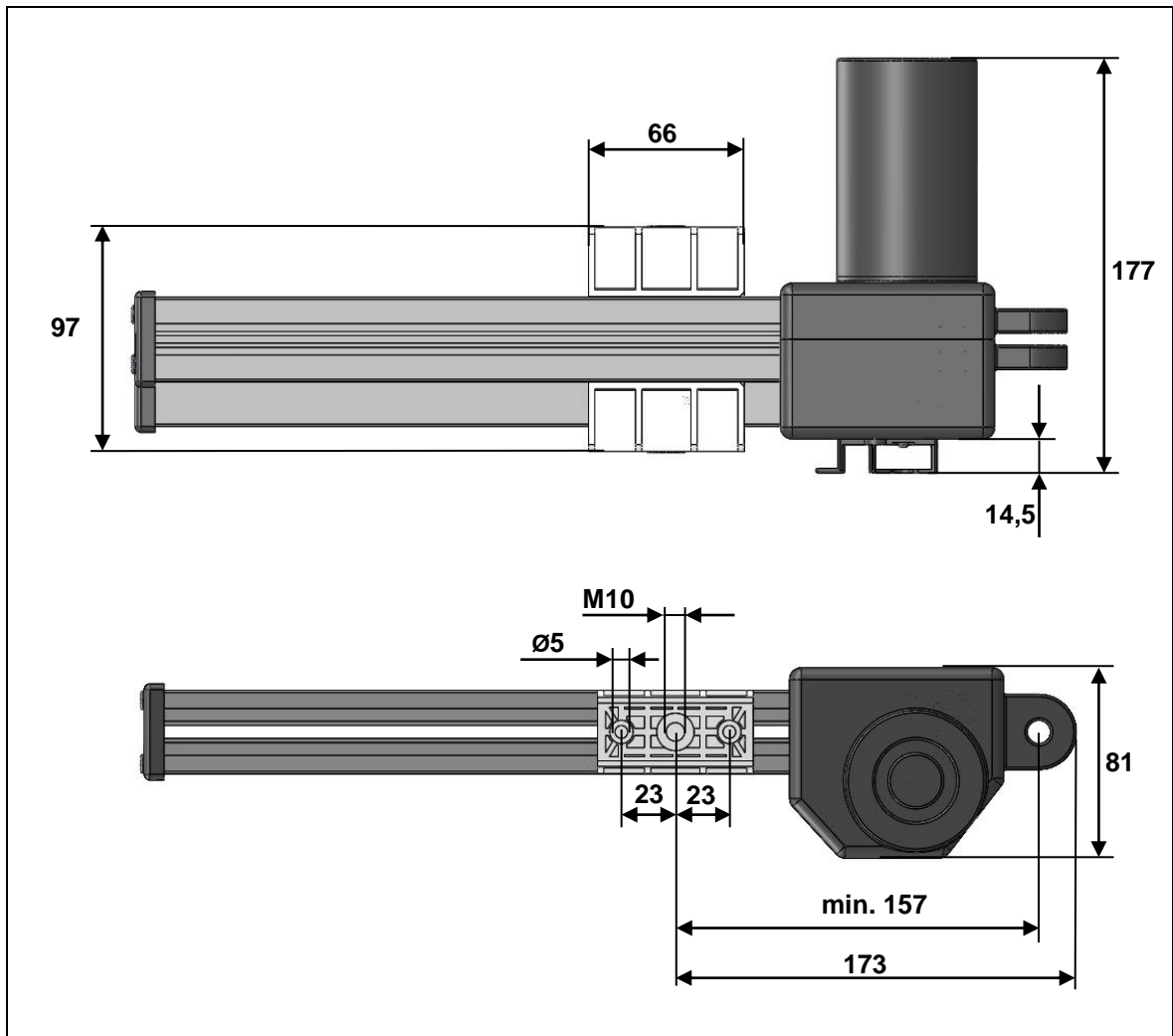


Figure 7 Dimensions of the ECO BETADRIVE ECO (in mm),
min. installation dimension: 157 mm

5. Installation

5.1 Safety notices to observe during installation

Basic safety rules must be followed in order to ensure that the end product can be continually operated in a safe manner. The following rules must be observed while using the end product and while installing the drive

Avoiding fatigue fractures

- Install the drive in the end product so that it is properly aligned. This will help prevent shear stress.
- Do not position the drive at a slanted angle when installing it in the end product. A slanted angle between the intended direction of movement of the end product and the drive's direction will create shear stress and could lead to a fatigue fracture.
- Be sure to install the drive so that it can always move freely in all operative states.

Avoiding an overrun of the stop point with the end product

- ▶ Your end product should contain mechanical end stops. These will limit the drive movement and significantly increase operational safety. DewertOkin recommends that you build such mechanical end stops into your end product.

Be sure that your operating instructions inform the user of these points.

5.2 Installation procedure

NOTICE

Carry out the assembly of the drive when the application is in no-load position.
In its final position, the drive must be either fully retracted or extended.
Damage to the drive is prevented **only** in in no-load position and a safe assembly is ensured.

First example: Profile cap with mounting bracket / clevis with mounting bracket.

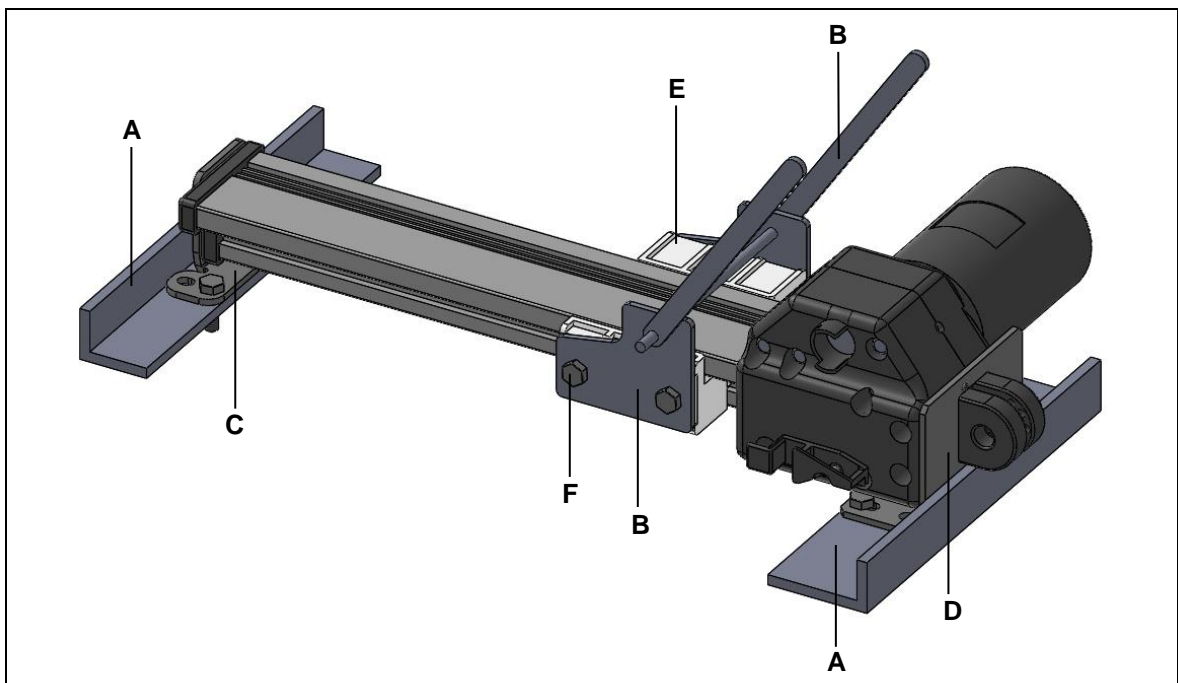


Figure 8 Installing the drive (example)

- | | |
|--|--|
| A End product | B Adaption mechanism of the end product |
| C Mounting bracker on the side of the profile cap | D Mounting bracket on the side of the clevis |
| E Actuating block | F Self-tapping screw $\varnothing 6,3$ x max.25mm (DIN EN ISO 1478) |

In the following example, installation of the ECO BETADRIVE ECO into the end product is shown.

- ▶ Certain details may change as a result of technical changes.
- 1 Move your product into a position where it is supporting no load.
 - 2 Put the drive onto the end product (A).
 - 3 Screw the mounting bracket (C / D) onto the end product (A).
 - 4 Screw the adaptive mechanism (B) to the actuating block (E).
Use self-tapping screws $\varnothing 6.3$ x max.25 mm (DIN EN ISO 1478).
Recommended torque for the self-tapping screws: Max. 6 Nm
 - 5 You may now connect the ECO BETADRIVE ECO electrical connection.

Second example: Clevis

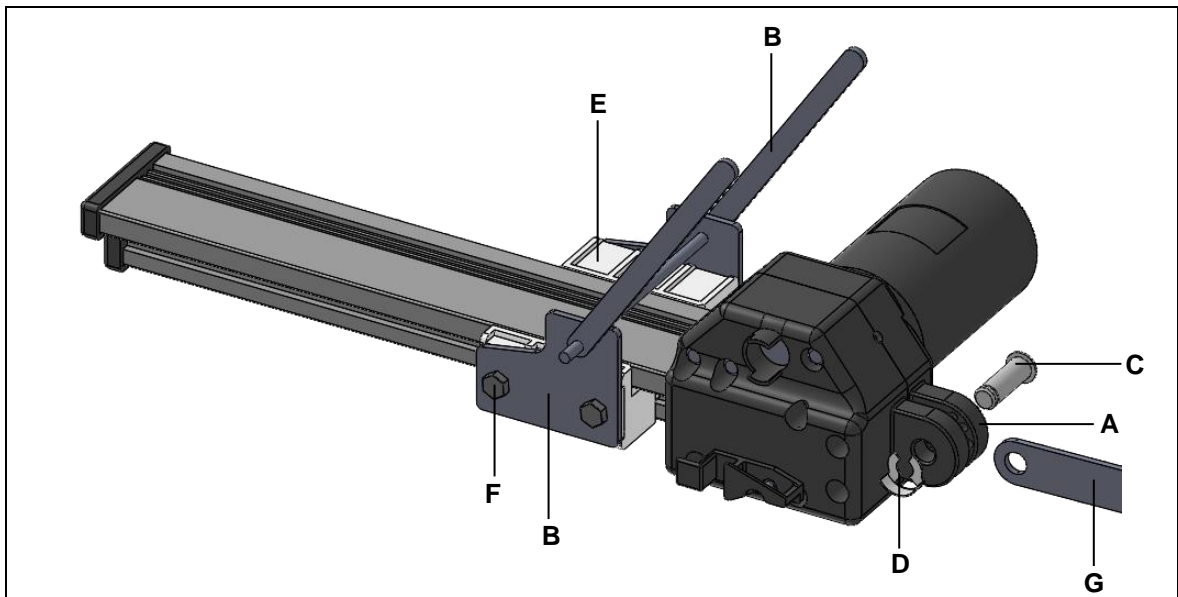


Figure 9 Installing the drive (example)

- | | |
|---|--|
| A Clevis | B Adaption mechanism of the end product |
| C Mounting bolt | D Safety clip |
| E Actuating block | F Self-tapping screw $\varnothing 6,3 \times \text{max.}25\text{mm}$
(DIN EN ISO 1478) |
| G Bracket for securing the drive | |

In the following example, installation of the ECO BETADRIVE ECO into the end product is shown using.

► Certain details may change as a result of technical changes.

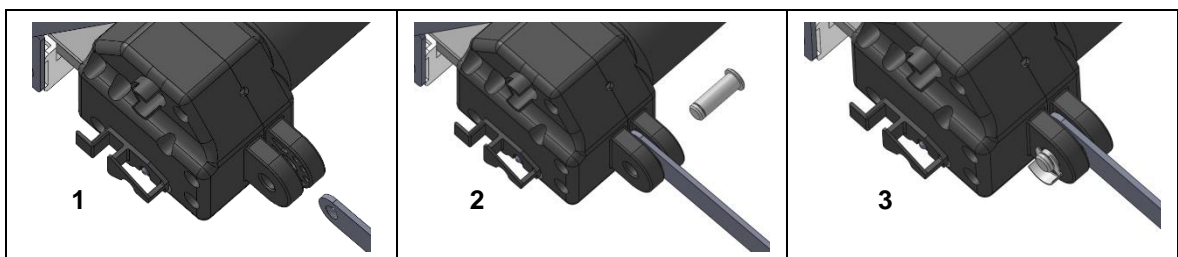


Figure 10 Steps for installing the clevis (example)

- 1 Move your product into a position where it is supporting no load.
- 2 Push the drive's clevis (A) onto the bracket (G).
- 3 Insert the mounting bolt (C) into the bracket (G).
- 4 Secure the mounting bolt (C) with the safety clip (D).
- 5 Screw the adaptive mechanism (B) to the actuating block (E).
Use self-tapping screws $\varnothing 6.3 \times \text{max.}25 \text{ mm}$ (DIN EN ISO 1478).
Recommended torque for the self-tapping screws: Max. 6 Nm
- 6 You may now connect the ECO BETADRIVE ECO electrical connection

5.2.1 Electrical connection



CAUTION

Danger of crushing injury!

The electrical components may be connected or disconnected only when the mains power and the battery plug (when present) are disconnected. This ensures that no uncontrolled movement can be triggered.

- ▶ If the hand switch will be used to control two drives, you must first connect both drives electrically to each other (for example, over a control unit or double drive). Then you can connect the handset.

Routing the electrical cables

When routing the cables, be sure that:

- the cables cannot get jammed,
- no mechanical load (such as pulling, pushing or bending) will be put on the cables,
- or
- the cables cannot be damaged in any way.

Fasten all cables (especially the mains cable) to the end product using sufficient strain relief and kink prevention methods. Be sure that the design of the end product prevents the mains cable from coming into contact with the floor during transport.

6.2.2. Dismantling



CAUTION

Danger of crushing injury

- The electrical components may be connected or disconnected only when the mains power and the battery plug (when present) are disconnected. This ensures that no uncontrolled movement can be triggered.
- Be sure to carry out work on the drive in a position so that no loads are bearing on it. Only in this way can you be sure to avoid any risks of crushing or injury.

- 1 Move your product into a position where it is supporting no load.
- 2 If multiple drives are connected electrically they should be disconnected from each other.
- 3 Remove the screws of the adaption mechanism.
- 4 Remove the security clips and the mounting bolt,
or remove the screws of the mounting bracket from the end product.

6. Note: Operating information

The installation instructions do not contain all information required for the safe operation of the end product. They only describe the installation and operation of the drive as components (as defined in the Machinery Directive as a "partially assembled piece of machinery").

Power-on time / intermittent operations

NOTICE

The ECO BETADRIVE ECO has been designed for intermittent operations. Intermittent operation is an operational mode where the drive must pause after a specified maximum period of operation (power-on time). The drive can overheat when these pauses are not maintained.

The ECO BETADRIVE ECO must operate with an intermittent duty of 1 min/ 8 min. This means that after the unit is operated with its rated load for up to one minutes it must then be paused for 8 minutes.

Shutting off the drive

In order to shut off the drive, unplug the mains power plug and the battery plug (when present)! The power plug must always be accessible during operations so that emergency shut-off is possible.

Avoiding cable damage

Be sure that your operating instructions inform the user about the possible cable risks.

NOTICE

The cables (in particular the electrical connection for the drive and the power supply cable for the drive system) must not be squashed or crushed. In order to prevent damage to the drive, no mechanical strain should be placed on the cables.

7. Maintenance and cleaning

7.1 Maintenance

- ▶ The ECO BETADRIVE ECO is maintenance free.

7.2 Cleaning

- ▶ Clean the ECO BETADRIVE ECO as needed using a dry antistatic cloth.

NOTICE

- Always disconnect the mains power plug from the drive system (and the battery plug if present) before you start to clean the unit!
- Never clean the drive in an automated washing system or with a high-pressure cleaner. Do not allow fluids to penetrate the drive. Damage to the system could result.
- Do not use a cleanser that contains benzene, alcohol or similar solvents.
- Make sure that you do not damage the drive's connecting cable.

8. Disposal

8.1 Packaging material

The packaging material should be sorted into recyclable components and then disposed of in accordance with the appropriate national environmental regulations (in Germany according to the recycling law KrWG from 01.06.2012; internationally according to the EU Directive 2008/98/EC (Waste Framework Directive WFD as of 12.12.2008)).

8.2 Drive components

The ECO BETADRIVE ECO consists of electronic components, cables and metal and plastic parts. You should observe all corresponding national and regional environmental regulations when disposing of the ECO BETADRIVE ECO.

The disposal of the product is regulated in Germany by Elektro-G, internationally by the EU Directive 2012/19/EC (WEEE), or by any applicable national laws and regulations.



The ECO BETADRIVE ECO should not be disposed of with normal household waste!

Einbauerklärung

nach Anhang II der EU-Maschinenrichtlinie
2006/42/EG

Der Hersteller

Declaration of Incorporation

*According to Appendix II of the EU Machinery
Directive 2006/42/EC*

The manufacturer:

DewertOkin GmbH
Weststraße 1
32278 Kirchlengern
Deutschland - Germany

erklärt hiermit, dass nachstehend beschriebene
unvollständigen Maschinen

*declares that the incomplete machines described
below*

ECO BETADRIVE ECO-BZ ECO BETADRIVE ECO-BS1 ECO BETADRIVE ECO-BS&

die folgenden grundlegenden Anforderungen der
Richtlinie Maschinen (2006/42/EG) erfüllt:

*complies with the following basic requirements of the
Machinery Directive (2006/42/EC):*

Abschnitt:

Sections:

1.1.3; 1.3.3; 1.3.4; 1.3.7; 1.5.1; 1.5.2; 1.5.5; 1.5.6; 1.5.7; 1.5.8; 1.5.9; 1.5.10; 1.5.13

Die unvollständige Maschine darf erst dann in Be-
trieb genommen werden, wenn festgestellt wurde,
dass die Maschine, in die die unvollständige Ma-
schine eingebaut werden soll, den Bestimmungen
der Richtlinie Maschinen (2006/42/EG) entspricht.

*You may only operate this incomplete machine after
you have confirmed that the end product (into which
this machine will be installed) complies with the
Machinery Directive 2006/42/EC.*

Der Hersteller verpflichtet sich, die speziellen Unter-
lagen zur unvollständigen Maschine einzelstaatli-
chen Stellen auf begründetes Verlangen elektronisch
zu übermitteln. Die zur Maschine gehörenden
speziellen technischen Unterlagen nach Anhang VII
Teil B wurden erstellt.

*On reasonable request, the manufacturer is obliged
to send the special documentation accompanying the
partially completed machinery in electronic form to
the appropriate national institution. The special
technical documents corresponding to the machine
have been created according to Appendix VII, part B.*

Für die Zusammenstellung der technischen Unter-
lagen ist bevollmächtigt: DewertOkin GmbH
Weststraße 1
32278 Kirchlengern
Tel.: 05223 979-0
Deutschland - Germany

*For preparation of the technical documentation is
authorized:* DewertOkin GmbH
Weststraße 1
32278 Kirchlengern
Tel.: 05223 979-0
Deutschland - Germany

Kirchlengern, Germany 25 November 2019



Dr.-Ing. Josef G. Groß
Geschäftsführer / Managing Director

EG-Konformitätserklärung

Nach Anhang IV der EMV-Richtlinie 2014/30/EU

Nach Anhang IV der EU-Niederspannungsrichtlinie 2014/35/EU

Nach Anhang VI der RoHS-Richtlinie 2011/65/EU (inkl. Delegierte Richtlinie (EU) 2015/863)

Der Hersteller

EU Declaration of Conformity

In compliance with Appendix IV of the EMC-Directive 2014/30/EU

In compliance with Appendix IV of the LVD-Directive 2014/35/EU

In compliance with Appendix VI of the EU RoHS Directive 2011/65/EU (incl. Commission delegated Directive (EU) 2015/863)

The manufacturer

DewertOkin GmbH
Weststraße 1
32278 Kirchlengern
Deutschland - Germany

erklärt hiermit, dass das Produkt

declares that the following product

ECO BETADRIVE ECO-BZ¹⁾
ECO BETADRIVE ECO-BS1¹⁾
ECO BETADRIVE ECO-BS2¹⁾

die Anforderungen folgender EG-Richtlinien erfüllt:

meets the requirements of the following EU directives:

Richtlinie über elektromagnetische Verträglichkeit 2014/30/EU

Electromagnetic Compatibility Directive 2014/30/EU

Niederspannungsrichtlinie 2014/35/EU

Low Voltage Directive 2014/35/EU

DELEGIERTE RICHTLINIE (EU) 2015/863 DER KOMMISSION vom 31. März 2015 zur Änderung von Anhang II der Richtlinie 2011/65/EU des Europäischen Parlaments und des Rates hinsichtlich der Liste der Stoffe, die Beschränkungen unterliegen.

COMMISSION DELEGATED DIRECTIVE (EU) 2015/863 of 31 March 2015 amending Annex II to Directive 2011/65/EU of the European Parliament and of the Council as regards the list of restricted substances.

Angewendete Normen

Applied standards:

- EN 60335-1:2012/A11:2014
- EN 55014-1:2006/A1:2009/A2:2011
- EN 55014-2:1997/A1:2001/A2:2008
- EN 61000-3-2:2014
- EN 61000-3-3:2013
- EN 62233:2008

Konstruktive Änderungen, die Auswirkungen auf die in der Montageanleitung angegebenen technischen Daten und den bestimmungsgemäßen Gebrauch haben, das Produkt also wesentlich verändern, machen diese Konformitätserklärung ungültig!

This declaration of conformity is no longer valid if constructional changes are made which significantly change the drive system (i.e., which influence the technical specifications found in the instructions or the intended use)!

Kirchlengern, Germany 25 November 2019



Dr.-Ing. Josef G. Groß
Geschäftsführer / Managing Director

¹⁾ mit DewertOkin-Steuerung / *with DewertOkin control unit*

Additional information

ECO BETADRIVE ECO

- UL962
- CSA C22.2 No.68

DewertOkin GmbH
Weststraße 1
32278 Kirchlengern, Germany
Phone: +49 (0)5223/979-0
Fax: +49 (0)5223/75182
<http://www.dewertokin.de>
Info@dewertokin.de

ID-Nr.: 81417