



TOUCH SENSOR Control

TOUCH SENSOR

***Mounting instruction for the
manufacturer of the final product***

Table of content

1. Note.....	3
1.1. Warranty terms	3
1.2. Limitation of liability	3
2. Safety instructions	4
3. Technical Data	5
3.1. Survey	5
4. Transport and storage	6
4.1. Transport	6
4.2. Unpacking	6
4.3. Storage	6
5. Survey TOUCH SENSOR Control.....	7
5.1. Dimensions	7
6. Mounting the TOUCH SENSOR Control	8
6.1. Preparation	8
6.2. Mounting	9
7. Maintenance and repair	11
7.1. Maintenance notes	11
7.2. Cleaning	11
7.3. Repairs	11
8. Decomissioning.....	12
8.1. Decomissioning	12
9. Disposal.....	12
9.1. Packaging material	12
9.2. Components of the system	12

1. Note

This instruction is dedicated to the **manufacturer of the final product**. Nevertheless it can be used as source for the creation of the end user instruction. Keep this installation instruction for future reference carefully.

1.1. Warranty terms

The DewertOkin-Warranty applies to errors due to production and starts with the date of fabrication.

Please find the manufacturing date on the type plate. For further details regarding warranty times please ask your DewertOkin-retailer.

The warranty range is only the value of the respected DewertOkin-part. The DewertOkin-warranty is valid only, if usage was normal and maintenance has been correct.

Alterations must not be made. Improper handling releases from any warranty

1.2. Limitation of liability

All information and instructions in this guideline have been compiled under due consideration of applicable standards and directives, the current state of technology, as well as our extensive knowledge gained in years of experience.

The manufacturer accepts no liability for damages due to:

- Failure to heed the instructions in the guide
- Non-intended use
- Deployment of untrained personnel
- Unauthorized conversions
- Technical changes
- The use of non-approved replacement parts

The actual scope of delivery can deviate from the explanations and presentations provided in this guide in the case of special versions, if additional options are ordered, or due to the latest technical changes.

In all other cases the obligations set forth in the supply contract, manufacturer's terms and conditions, as well as the valid legal regulations at the time the contract was concluded, apply.

► **Note**

This installation instruction must be read carefully prior to starting any work on and with the device! The manufacturer accepts no liability for damage and malfunctions that arise from failure to heed the instructions in the installation instruction.

2. Safety instructions

Please keep these safety instructions!

Read the instructions and notes carefully before you put the device into operation. The safety instructions of the connected drive system have to be taken into consideration also.

Make sure that your staff, that is occupied with connection, mounting or usage, is sufficiently informed and has access to this installation instruction.



Warning – Danger by electrical current!

- For mounting or maintenance separate the device from mains power supply to avoid electric shocks.
- By no means disassemble devices by yourself, bring them to our customer service if maintenance or repair works have to be done. In case of inappropriate assembly, electric shock or fire hazard can occur.
- The device must not be run with defective cable or plug. Damaged parts have to be replaced immediately.
- The device must not be short circuit. A short can lead to overheat, burn and excessive current flow.



Caution – General danger!

Risk of injury by jamming

- Be sure to carry out work on the product in a position so that no loads are bearing on it



Caution – Damage of components!

- Electrical adjustment drive and products fitted with such are meant for a duty cycle of 2 minutes at max. 5 switching cycles per minute (duty cycle 10%). More intense usage can cause damages on components.

► Note

- If necessary, devices within guarantee period should definitely be sent in for repair, as the guarantee is omitted for opened devices.

► Note

Please **observe during operation:**

- Watch for unusual sounds or irregular function. System must be shut down on strange behaviour.
- The devices must not be dunked into water!

3. Technical Data

The TOUCH SENSOR Control is intended to be used with an electromotive recliner or riser-recliner seat.

► **This device must not be used:**

- Within an environment, where flammable or explosive gases/vapours can be expected
- In a damp environment (offshore-facilities, seaside), or outdoor
- With a medical product, e.g. for the installation in a medical product
- In planes or other aircrafts

► **Note**

- The manufacturer of the adjustable product is committed to take appropriate precautions, to prevent persons from injuries and objects from damage, while his products are in use.
- Also the manufacturer is obliged to deliver a qualified operating instruction so the user can reliably operate his product.

3.1. Survey

Survey	
Operating voltage	24-29 V DC
Protection class:	II
Protection type:	IP20
Intermittent duty (of the drive)	10% or max. 5 cycles per minute
Colour	black
Dimensions (D x W x H)	113 x 63,4 x 36,3 mm

Operating temperature	from +10°C to + 40°C
Relative humidity	from 30 to 75%

Option	
It is possible to operate the Touch Sensor version 76728 with an rechargeable power pack	
Standby power consumption for this Touch Sensor	200-300uA
Minimal voltage for the Touch Sensor to work correctly	20V

4. Transport and storage

4.1. Transport

Keep the original packaging in order to ship the device if there should be a guarantee case. Protect the device from severe mechanical stress during transport. Always transport the device in the original packaging. The installed components are sensitive to impact and strong vibration.

4.2. Unpacking

Proceed as follows to unpack the device:

- We recommend inspecting the device for transport damage immediately after it is delivered. Only acknowledge receipt with reservation (for example on the freight document), if there is reason to suspect damage. Note the presumed damage on the freight document and inform the manufacturer.
- Carefully remove the packaging. If there is no appropriate agreement concerning the take-back of packaging material, the packaging remains with the customer.

4.3. Storage



Caution – Condensation of water!

Condensation of water is possible due to temperature fluctuations. This can destroy the device or subsequent malfunctions can result.

- After storage or transport in cold weather, or if there are extreme temperature fluctuations, the device must slowly adjust to the ambient temperature at the implementation site before it is started up.
- If condensation has formed, the device should only be placed in service after a waiting period of 12 hours.

The following guidelines apply for storage:

- Relative humidity: max. 75 %
- Ensure that packages are not stored outside
- Store in a dust-free environment
- Storage temperature -20 to +50 °C
- Avoid mechanical impact and damage

5. Survey TOUCH SENSOR Control

This installation instruction refers to the TOUCH SENSOR Control. The TOUCH SENSOR Control is designated for usage with electromotive recliner and lifter-recliner seats in domestic surrounding.

To operate the TOUCH SENSOR Control further components are necessary, typically a drive and a power supply.

5.1. Dimensions

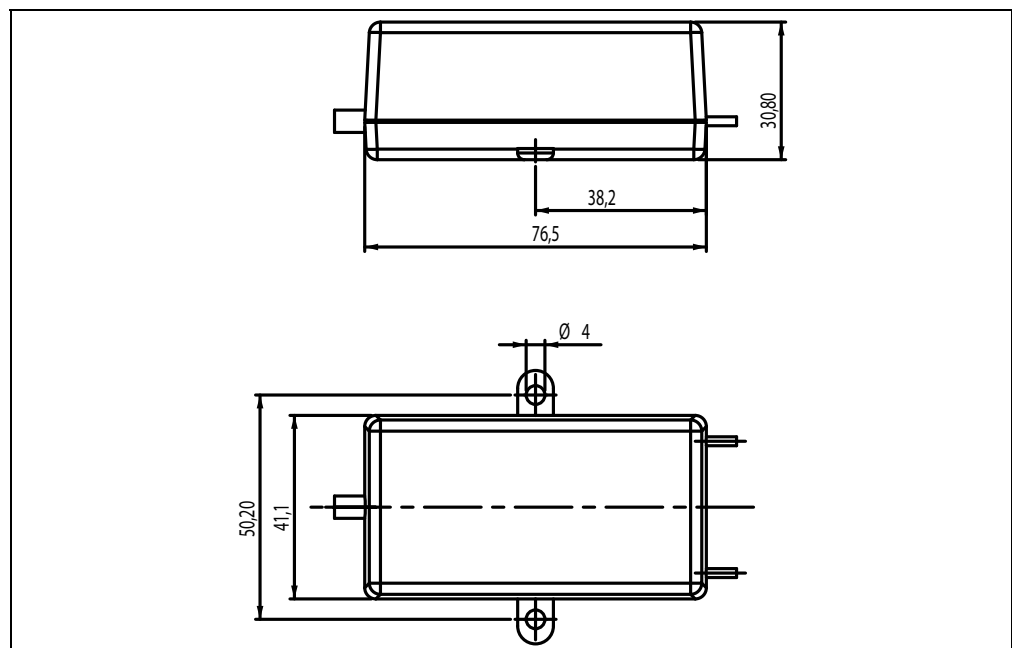


Abb. 1: Housing dimensions

6. Mounting the TOUCH SENSOR Control

6.1. Preparation



Warning – Danger due to electric current!

- Electric components must be connected or disconnected in de-energized status only!
- Storage batteries must not be used!



Caution – Damage of components!

Make sure the white and black line do not intersect. The distance between the lines must be between 30-50 mm; the distance between the buttons should be between 80-100 mm.

► **Note**

- Operation of the TOUCH SENSOR Control is allowed with DewerttOkin-original parts only
- The over-all length of the connection line of the sensors must not be altered!

6.2. Mounting

The TOUCH SENSOR Control is delivered ready-to-install.

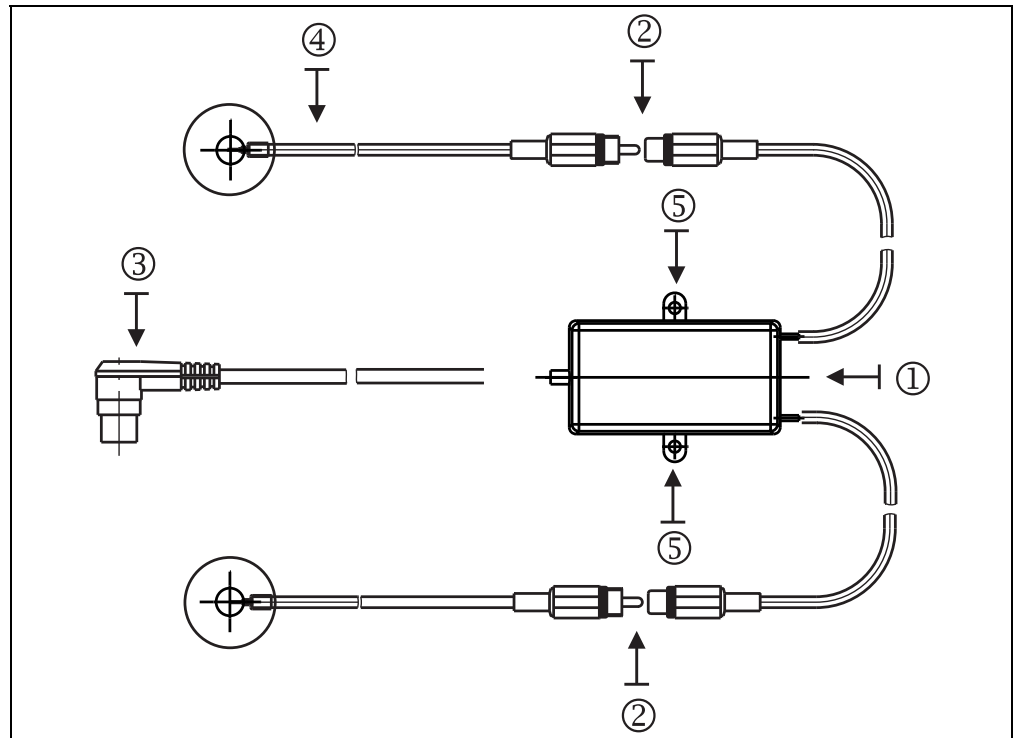


Abb. 2: Connection plan

- ① TOUCH SENSOR Control box
- ② Connection of sensors
- ③ Connection of drive
- ④ Sensors
- ⑤ Fastening eyes

- ➔ Make sure there is no connection to mains supply.
- ➔ Mount the sensors ④ to the chair according to your planning
- ➔ Connect the plugs ② of the sensors with the connecting socket of the control box.
- ➔ Then, fix the control box ① by means of the fastening eyes ⑤ to your recliner seat.
The sensor connected to the white bushing moves the drive in, the sensor connected to the black bushing moves the drive out. Motor direction is out/in
- ➔ Connect the plug of the control box ③ with the bushing of the drive.
- ➔ Connect the drive to the power supply.

System test

- ➔ For testing you now can supply the system with power.
- ➔ Wait for at least 3 seconds, this period is a self inspection time.
- ➔ If you touch one of the sensors now the actuator will move, by touching the second sensor the actuator should stop.
- ➔ Release both sensors,
- ➔ By touching one of them again the actuator will move again.

Notes for the user of your product:



Please explain to your customer:

- That electromotive furniture is no children's toy.
 - That he must make sure that the sensors cannot be touched accidentally (e.g. by animals).
 - Recliners should always be connected to mains supply before taking a seat not during or afterwards.
 - Recliners must not be used laying sideways, because function of the sensors is influenced.
 - And the seat should be kept dry, because intruding moisture or liquids on the surface of the sensors can influence the function of the sensors.
-

7. Maintenance and repair

7.1. Maintenance notes

All components and cables have to be examined for mechanical defects and wearing by sight. During continuous use the maintenance rate should be at least every six months.

Check the connectors to be plugged correctly

The TOUCH SENSOR is maintenance-free



Danger – due to electrical current!

- Be careful; there is a risk of electrical shock! Be sure to unplug the power cord on the drive/control unit before you begin assembly!

7.2. Cleaning

- ➔ If required, clean the ALPHADRIVE drive with a dry cloth.



Caution – Damage of components!

- Always disconnect the mains power plug of the drive/control unit
- Never clean the drive in an automated washing system or with a high-pressure cleaner. Do not allow fluids to penetrate the drive. Damage to the system could result.
- Do not use a cleanser that contains benzene, alcohol or similar solvents.
- Be sure that you do not damage the connecting cable.

7.3. Repairs

If repair should be necessary, devices within guarantee period should definitely be sent in, as the guarantee is not applicable for opened devices.

The danger of secondary damages cannot be excluded, if technical changes or modifications are implemented.

8. Decomissioning

8.1. Decomissioning



Warning – Risk of injury by jamming!

- Electrical components should only be connected or disconnected with the mains plug and battery plug (if fitted) removed so that no uncontrolled movement can be triggered.
- Be sure to carry out work on the drive in a position so that no loads are bearing on it. Only in this way can you be sure to avoid any risks of crushing or injury.

- ➔ After driving the system to basic position, remove the power plug from the mains supply.
- ➔ Now you can remove drive system and brackets from the furniture.

9. Disposal

9.1. Packaging material

The packaging material should be sorted into recyclable components and then disposed of in accordance with the appropriate national environmental regulations (in Germany according to the recycling law KrWG from 01.06.2012; internationally according to the EU Directive 2008/98/EC (Waste Framework Directive WFD as of 12.12.2008)).

9.2. Components of the system

The TOUCH SENSOR consists of electronic components, cables and metal and plastic parts. You should observe all corresponding national and regional environmental regulations when disposing of the TOUCH SENSOR.

The disposal of the end product is regulated in Germany by Elektro-G, internationally by the EU Directive 2011/65/EC (RoHS), or by any applicable national laws and regulations. (The end product is not regulated by the EU Directive 2002/96/EC (WEEE) and its amendment EU Directive 2003/108/EC.)



The TOUCH SENSOR should not be disposed of with normal household waste!

DewertOkin GmbH
Weststrasse 1
Kirchlengern 32278, Germany
Tel: +49(0)5223/979-0
Fax.: +49 0 522375182
<http://www.dewertokin.de>
Info@dewertokin.de